



## I-8048W

8-channel Non-Isolated Digital Input Module

### Features

- 8-Channel Digital Input
- Isolated or Non-isolated TTL Input Jumper Selectable
- Rising/Falling-edge Interrupts Programmable
- Dry and Wet Contact, Selectable via Wire Connections
- 4 kV ESD Protection
- Wide Operating Temperature Range: -25 ~ +75 °C



### Introduction

The I-8048W offers 8 channels for digital input, each of which features Photocouple-isolation protection. Either Sink Type or Source Type Input can be selected via wire connections. All channels have 4 kV ESD protection and 1500 Vrms intra-module isolation.

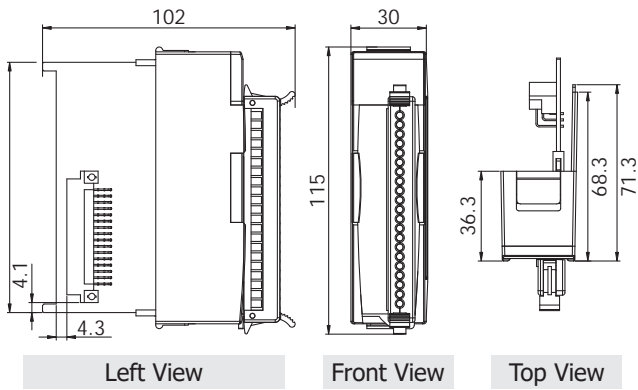
### System Specifications

LED Indicators	
System LED Indicator	1 LED as Power Indicator
I/O LED Indicator	8 LEDs as I/O Status Indicator
Isolation	
Intra-module Isolation, Field-to-Logic	1500 Vrms
EMS Protection	
ESD (IEC 61000-4-2)	±4 kV Contact for each Terminal
Power	
Consumption	1.75 W Max
Mechanical	
Dimensions (W x L x H)	30 mm x 102 mm x 115 mm
Environment	
Operating Temperature	-25 ~ +75 °C
Storage Temperature	-30 ~ +85 °C
Humidity	5 ~ 95 % RH, Non-condensing

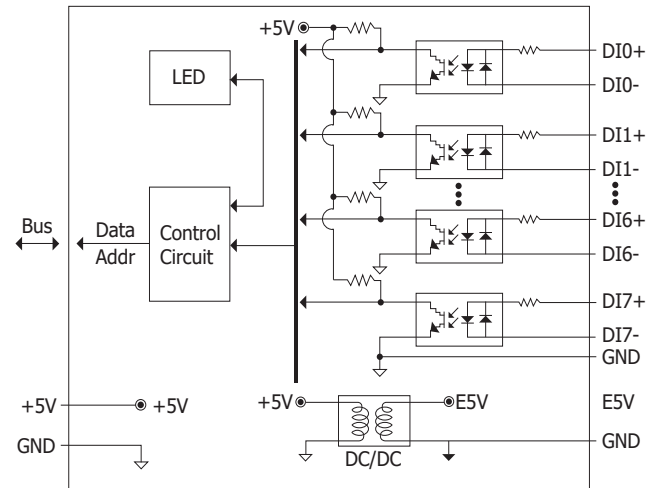
### I/O Specifications

Digital Input	
Channels	8
Type	Dry Contact, Wet Contact
Sink/Source (NPN/PNP)	Sink/Source
ON Voltage Level	Isolated: 4 ~ 30 V, Non-isolated TTL: 0 ~ 0.8 V
OFF Voltage Level	Isolated: 0 ~ 1 V, Non-isolated TTL: 2 ~ 5 V
Interrupts	Yes. Trigger type: Rising/Falling edge programmable for each channel. Max. Interrupt Frequency: 10 kHz Max.
Input Impedance	2.4 kΩ, 0.5 W

## ■ Dimensions (Units: mm)



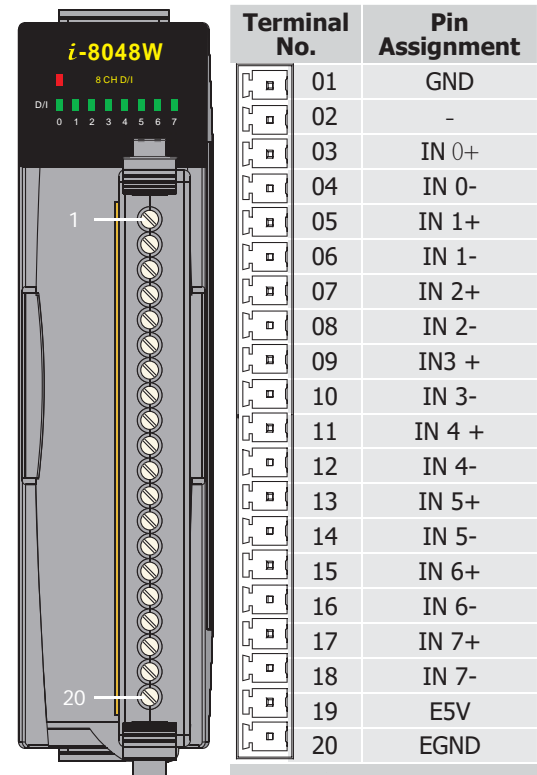
## ■ Internal I/O Structure



## ■ Wire Connections

Input Type	ON State Readback as 0	OFF State Readback as 1
<b>Isolated</b>		
Relay Contact	<b>Relay ON</b>	<b>Relay OFF</b>
TTL/CMOS Logic	<b>Voltage &lt; +4 V</b>	<b>Voltage &gt; +4 V</b>
NPN Output	<b>Open Collector ON</b>	<b>Open Collector OFF</b>
PNP Output	<b>Open Collector ON</b>	<b>Open Collector OFF</b>
<b>Non-Isolated</b>		
Relay Contact	<b>Relay ON</b>	<b>Relay OFF</b>
TTL/CMOS Logic	<b>Voltage &lt; +4 V</b>	<b>Voltage &gt; +4 V</b>
Open Collector	<b>Open Collector ON</b>	<b>Open Collector OFF</b>

## ■ Pin Assignments



## ■ Ordering Information

<b>I-8048W-G CR</b>	8-Channel Non-Isolated Digital Input Module (RoHS)
---------------------	--