



I-8041AW | I-8041W | I-8041PW
32-channel Isolated Digital Output Module

Features

- 32 Open Collector Output Channels
- Support Sink or Source Type Digital Output
- Photocouple Isolation Protection
- Channel Status LED Indicators
- 4 kV ESD Protection
- 3750 Vrms Intra-module Isolation



Introduction

The I-8041W/I-8041PW/I-8041AW module offers 32 Digital Output channels, each of which features Photocouple isolation. The I-8041W/I-8041PW supports Sink Type Output using an open collector and I-8041AW supports Source Type Output with short circuit protection. The I-8041W/I-8041PW/I-8041AW includes 32 LED indicators that can be used to monitor the status of the Digital Output channels. ± 4 kV ESD protection and 3750 VDC intra-module isolation is provided as standard.

The I-8041W/I-8041PW/I-8041AW can be paired with a daughterboard, such as the DN-37-381-A CR for easy wiring, or the DN-8K32R for Relay Output.

The I-8041PW integrates over-current, over-voltage and shortcircuit functionality. ICP DAS recommends selecting either the "PW" version of the digital output module for industrial use. ICP DAS offers a variety of options. ICP DAS recommends selecting either the "AW" version of the Digital Output Module for industrial use.



I-8041AW, I-8041W and I-8041PW with DN-37-381-A and DB37 Male to Female Cable (Optional)

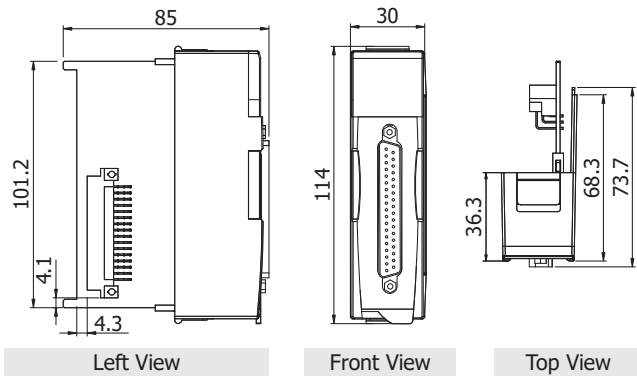


I-8041AW, I-8041W and I-8041PW with DN-8K32R and DB37 Male to Female Cable (Optional)

System Specifications

Model	I-8041AW	I-8041W	I-8041PW
LED Indicators/Display			
System LED Indicators	1 LED as Power Indicator		
I/O LED Indicators	32 LEDs as Digital Output Indicators		
Isolation			
Intra-module Isolation, Field-to-Logic	3750 Vrms		
EMS Protection			
ESD (IEC 61000-4-2)	± 4 kV Contact for each Terminal		
Power			
Power Consumption	1.5 W Max.		
Mechanical			
Dimensions (W x L x H)	30 mm x 114 mm x 85 mm		
Environment			
Operating Temperature	-25 ~ +75 °C		
Storage Temperature	-30 ~ +85 °C		
Humidity	5 ~ 95 % RH, Non-condensing		

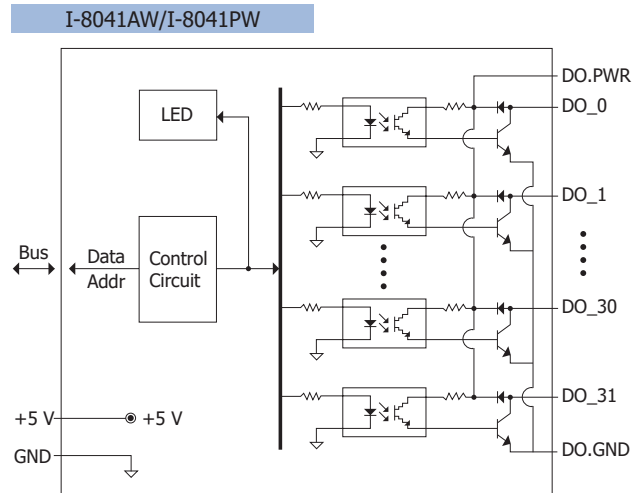
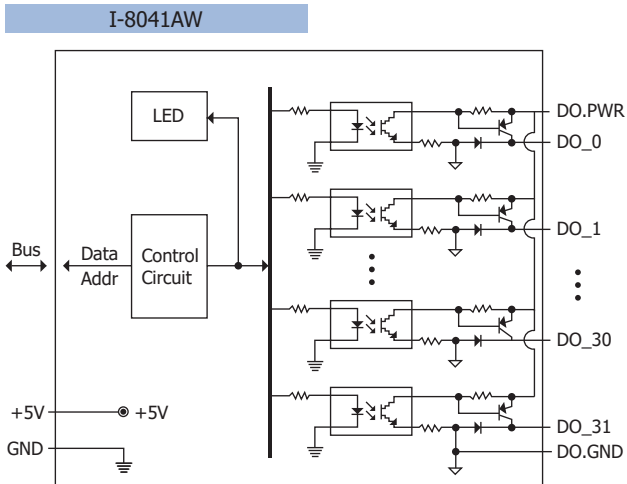
Dimensions (Units: mm)



I/O Specifications

Model	I-8041AW	I-8041W	I-8041PW
Digital Output			
Channels	32		
Type	Isolated Open Collector		
Sink/Source (NPN/PNP)	Source	Sink	
Load Voltage	+5 ~ +30 VDC	+10 ~ +50 VDC	
Load Current	100 mA/Channel		
Overvoltage Protection	-	60 VDC	
Overload Protection	-	1.1 A	
Short-circuit Protection	-	Yes	

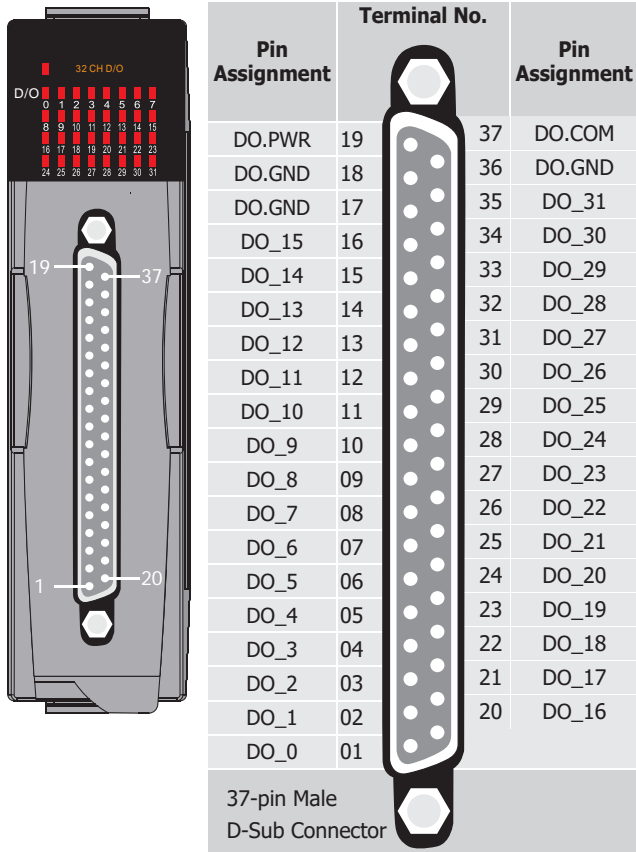
Internal I/O Structure



Wire Connections

Output Type	I-8041AW		I-8041W/I-8041PW	
	ON State Readback as 0	OFF State Readback as 1	ON State Readback as 0	OFF State Readback as 1
Drive Relay				
Resistance Load				

Pin Assignments



Accessories

DN-37-A CR	Female DB37 to Screw Terminal Board (Pitch = 5.08 mm) with DIN-rail Mounting (RoHS) Include: CA-3710A (DB37 Male to Female Cable, 90°, 1 M)
DN-37-381-A CR	Female DB37 to Screw Terminal Board (Pitch = 3.81 mm) with DIN-rail Mounting (RoHS) Include: CA-3710A (DB37 Male to Female Cable, 90°, 1 M)
CA-3705A CR/CA-3710A/CA-3715A CR	DB37 Male to Female Cable, 90°, 0.5 M/1 M/1.5 M (RoHS)
CA-3710AM/CA-3720AM/CA-3730AM/CA-3750AM/CA-37100AM CR	DB37 Male to Female, with Molded Cable, 45°, 1 M/2 M/3 M/5 M/10 M (RoHS)

Ordering Information

I-8041AW-G CR	32-channel Isolated DO (Source, 5 ~ 30 VDC) Module (RoHS)
I-8041W-G CR	32-channel Isolated DO (Sink, 5 ~ 30 VDC) Module with Low Pass Filter (RoHS)
I-8041PW-G CR	32-channel Isolated DO (Sink, 10 ~ 50 VDC) Module (RoHS)