



I-8024W

4 Channel Isolated Voltage/Current Output Module

Features

- 4 Channel Voltage/Current Output
- Sink Current Output Wiring
- Individual Channel Configuration
- 4 kV ESD Protection
- 3000 VDC Intra-module Isolation



Introduction

The I-8024W is a 14-bit Analog Output Module, which offers 4 single-ended analog output channels. Each channel can be programmed to an individual output range of ± 10 VDC or $0 \sim +20$ mA. The I-8024W provides RF immunity level matching that defined by IEC 61000-4-3 standard, together with ± 4 kV ESD protection as well as 3000 VDC intra-module isolation.

Application

- Building Automation
- Machine Automation
- Remote Diagnosis
- Factory Automation
- Remote Maintenance
- Testing Equipment

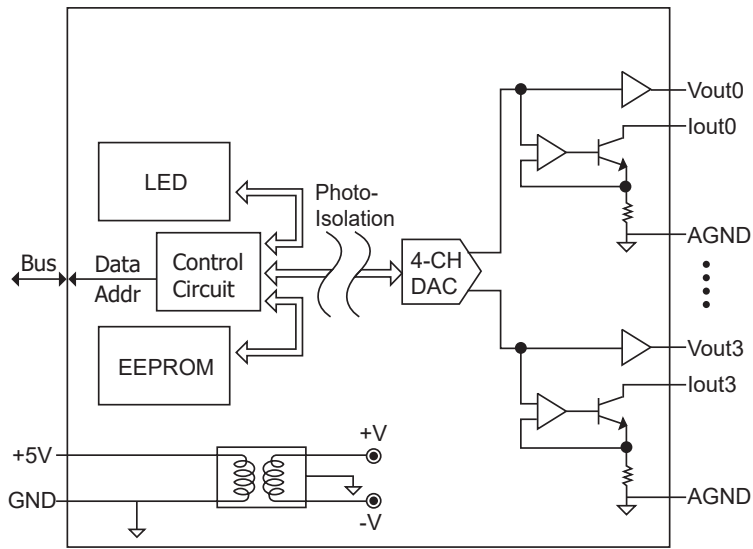
System Specifications

Model	I-8024W
LED Display	
System LED Indicator	1 LED as Power Indicator
Isolation	
Intra-module Isolation, Field-to-Logic	3000 VDC
EMS Protection	
ESD (IEC 61000-4-2)	± 4 kV Contact for each Terminal
Power	
Consumption	2 W Max.
Mechanical	
Dimensions (W x L x H)	31 mm x 129 mm x 114 mm
Environment	
Operating Temperature	$-25 \sim +75$ °C
Storage Temperature	$-40 \sim +85$ °C
Humidity	10 ~ 90 % RH, Non-condensing

I/O Specifications

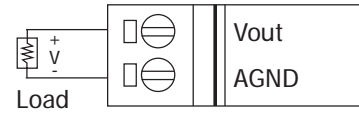
Model	I-8024W
Analog Output	
Channels	4
Current Output Wiring	Sink
Resolution	14-bit
Range	± 10 VDC, $0 \sim +20$ mA
Accuracy	Voltage: $\pm 0.1\%$ of FSR Current: $\pm 0.2\%$ of FSR
Zero Drift	Voltage: ± 30 μ V/ °C Current: ± 0.2 μ A/ °C
Span Drift	± 20 ppm/°C
Response Time	25 μ s per channel
Programmable Output Slope	Voltage: 0.72 V / μ s Current: 0.107 mA / μ s
Readback Accuracy	$\pm 1\%$ of FSR
Voltage Output Capability	10 VDC @ 20 mA
Current Load Resistance	External +24 VDC: 1050 Ω
Isolation	
Reverse Polarity Protection	Yes
Powered from Terminal Block	15 ~ 30 VDC
Isolation	3000 VDC

Internal I/O Structure

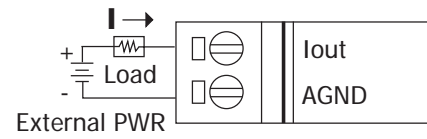


Wire Connections

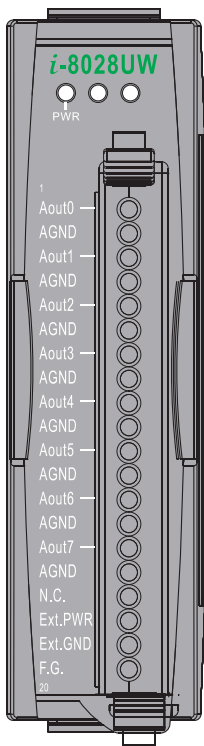
Voltage Output Wiring



Current Output Wiring

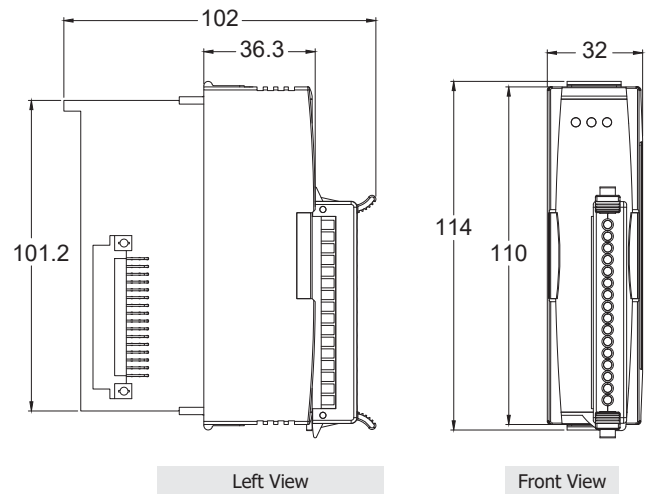


Pin Assignments



Terminal No.	Pin Assignment
01	Iout0
02	AGND
03	Iout1
04	AGND
05	Iout2
06	AGND
07	Iout3
08	AGND
09	Vout0
10	AGND
11	Vout1
12	AGND
13	Vout2
14	AGND
15	Vout3
16	AGND

Dimensions (Units: mm)



Ordering Information

I-8024W-G CR

4-channel Isolated Analog Output Module (RoHS)