

XV308

8-ch Isolated AI and 8-ch Isolated Universal Digital I/O Expansion Board

Features

- 8-channel Analog Input
- 8-channel Universal Digital Input/Output
- Digital Input Channels can be used as 32-bit Counters
- Configurable Power-on Value Settings
- Open Wire Detection for 4 ~ 20 mA
- Individual Channel Configuration
- 120 VDC Overvoltage Protection for Analog Input
- 60 VDC Overvoltage Protection for Digital Input
- Overload Protection for Digital Output
- Short-circuit Protection for Digital Output



Introduction

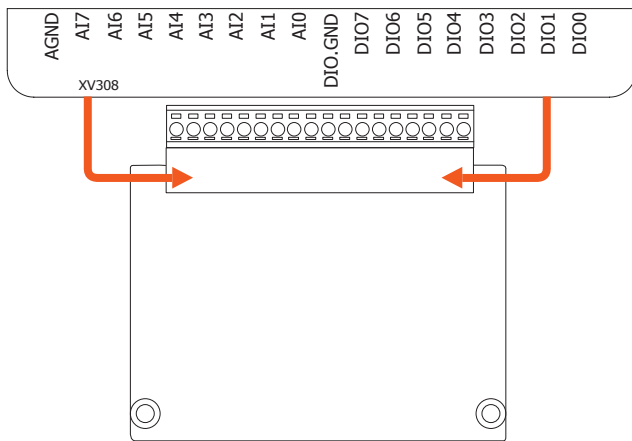
The XV308 provides 8 channels for analog input and 8 channels for universal digital input/output. Analog Input channels are Single-ended type and provide a programmable input range (± 1 V, ± 2.5 V, ± 5 V, ± 10 V, ± 20 mA, 0 ~ 20 mA, 4 ~ 20 mA). Each Analog Input channels also provides a high overvoltage protection of 120 VDC. Universal digital input/output can be selected via wire connections. Digital input channels are sourcetype and can be used as 32-bit counters. Digital output channels are sink-type with short circuit protection and options for configuring power-on digital output values.

Specifications

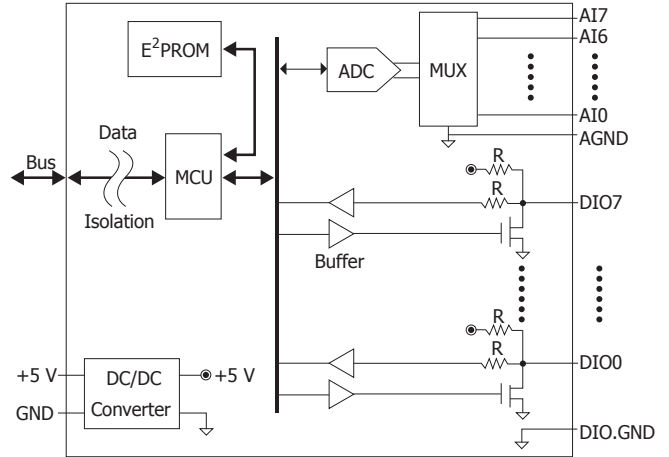
Isolation		
Intra-module Isolation		2000 VDC
EMS Protection		
ESD (IEC 61000-4-2)	± 4 kV Contact For Each Terminal	
	± 8 kV Air For Random Terminal	
Analog Input		
Channels		8
Type		± 1 V, ± 2.5 V, ± 5 V, ± 10 V, ± 20 mA, 0 ~ 20 mA, 4 ~ 20 mA (Jumper Selectable)
Resolution		16-bit
Accuracy	Normal Mode	$\pm 0.1\%$
	Fast Mode	$\pm 0.5\%$
Sampling Rate	Normal Mode	10 Hz
	Fast Mode	200 Hz (Total)
Input Impedance		20 M Ω
Overvoltage Protection		120 VDC
Individual Channel Configuration		Yes
Digital Input/Counter		
Channels		Digital Input and Digital Output=8 (By Wire Connection)
Wet Contact	ON Voltage Level	+1 VDC Max.
	OFF Voltage Level	+4 ~ 30 VDC
Dry Contact	ON Voltage Level	Close to GND
	OFF Voltage Level	Open
Max. Counts		32-bit (0~4,294,967,285)
Frequency		50 Hz
Min. Pulse Width		10 ms
Overvoltage Protection		60 VDC

Digital Output	
Channels	Digital Input and Digital Output=8 (By Wire Connection)
Type	Sink
Load Voltage	3.5 ~ 50 VDC
Max. Load Current	700 mA
Overvoltage Protection	60 VDC
Overload Protection	Yes
Short-circuit Protection	Yes
Power-on Value	Yes, Programmable
COM Ports	
Ports	1 x RS-232
Baud Rate	115200 bps
Data Format	N, 8, 1
Protocol	Modbus/RTU
Power	
Consumption	0.8 W Max.
Powered from Terminal Block	5 VDC
Mechanical	
Dimensions (mm)	59 mm x 82 mm x 13 mm (W x L x H)
Mechanical	
Operating Temperature	-25 ~ +75 °C
Storage Temperature	-30 ~ +80 °C
Humidity	10 ~ 90% RH, Non-condensing

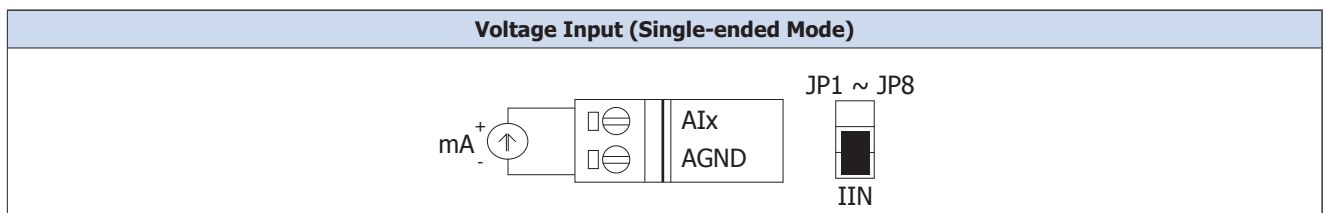
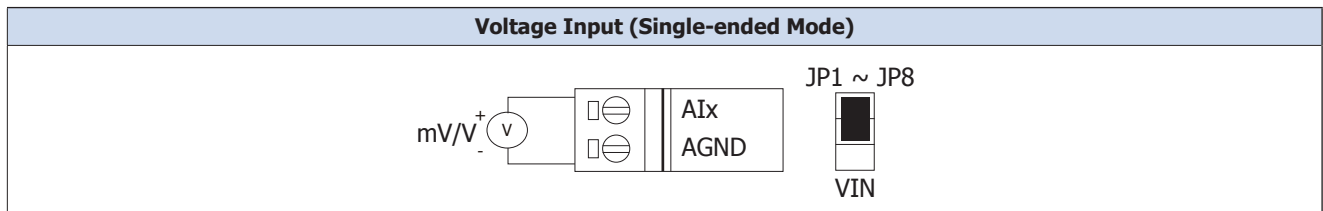
Pin Assignments



Internal I/O Structure



Wire Connections



Digital Input/Counter	ON State Readback as 1	OFF State Readback as 0
	+1 VDC Max.	+4 ~ 30 VDC
Wet Contact (Sink)		
Dry Contact (Source)		
Digital Output	ON State Readback as 1	OFF State Readback as 0
Open Collector (Sink)		

Ordering Information

XV308 CR	8-ch Isolated AI and 8-ch Isolated Universal Digital I/O Expansion Board (RoHS)
-----------------	---