



MQ-7251M

MQTT I/O Module with 16-ch DI (Wet)

Features

- Built-in Web Server
- Web HMI
- Support Modbus TCP and MQTT Protocols
- 2-port Ethernet Switch (LAN Bypass) for Daisy-Chain Wiring
- Dual Watchdog
- Built-in I/O
 - DI: 16 Channels



Introduction

The MQ-7251M is an Ethernet I/O device equipped with 16-channel DI, as well as the MQTT and Modbus TCP protocols, which are supported for connecting with a variety of digital sensors in Industrial Internet of Things (IIoT) applications. A friendly web-based user interface is provided for users to configure the module and access the network connection status and I/O status via a normal web browser on a mobile device or computer. The MQ-7251M features optical isolation for 2500 VDC of transient overvoltage protection but does not provide channel-to-channel isolation. It can safely be used in applications where hazardous voltages are present.

System Specifications

Model	MQ-7251M
Software	
Built-in Web Server	Yes
CPU Module	
Watchdog Timer	Module, Communication (Programmable)
EMS Protection	
EFT (IEC 61000-4-4)	±4 kV for Power Line
ESD (IEC 61000-4-2)	±4 kV Contact for Each Terminal and ±8 kV Air for Random Point
LED Indicators	
Status	Run, Ethernet, I/O
Ethernet	
Ports	2 x RJ-45, 10/100 Base-TX, Switch Ports
LAN bypass	Yes
Protocol	MQTT 3.1 Modbus TCP
Isolation	1500 VDC
Power	
Reverse Polarity Protection	Yes
Consumption	2.9 W Max.
Powered from Terminal Block	+12 ~ +48 VDC
Mechanical	
Casing	Metal
Dimensions (mm)	97 x 120 x 42 (W x L x H)
Installation	DIN-Rail or Wall mounting
Environmental	
Operating Temperature	-25 ~ +75 °C
Storage Temperature	-30 ~ +80 °C
Humidity	10 ~ 90% RH, Non-condensing

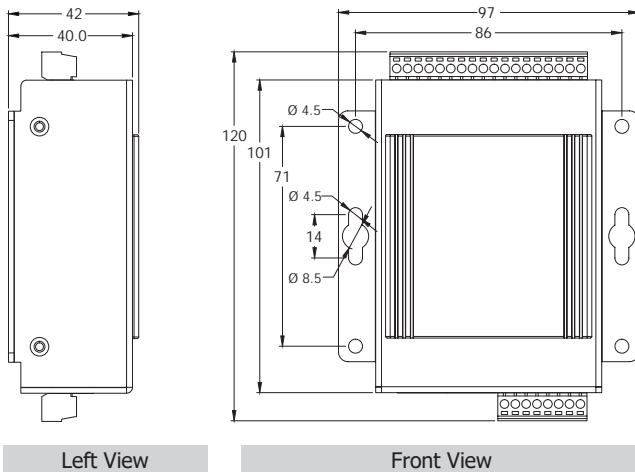
I/O Specifications

Model	MQ-7251M
Digital Input	
Channels	16
Type	Wet Contact
Sink/Source (NPN/PNP)	Sink/Source
ON Voltage Level	+10 ~ +50 VDC
OFF Voltage Level	+4 VDC Max.
Input Impedance	10 kΩ
Overvoltage Protection	+70 VDC

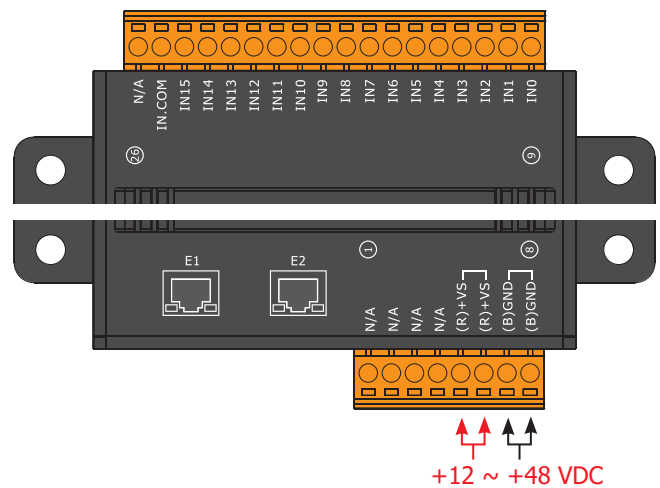
Wire Connections

Input Type	Readback as 1	Readback as 0
	+10 ~ +50 VDC	OPEN or <4 VDC
Sink		
	+10 ~ +50 VDC	OPEN or <4 VDC
Source		

Dimensions (Units: mm)



Pin Assignments



Ordering Information

MQ-7251M CR	MQTT I/O Module with 2-port Ethernet Switch with 16-ch DI (Wet) (RoHS)
--------------------	--