



## ET-2242U

Ethernet I/O Module with 16-ch DO

### Features

- Web Server for Configuration
- Support Modbus TCP/UDP, MQTT, and SNMP V2c Protocols
- 2-port Ethernet Switch (LAN Bypass) for Daisy-chain Wiring
- Supports Dual-watchdog
- I/O Pair Connection (Push and Pull)
- Built-in I/O
  - 16-ch DO (Sink/Source)
- LED Display to Indicate the I/O Status



### Introduction

**ET-2242U** is a 16-channel digital output (Sink-type or Source-type) module, selectable via wiring, and each channel can drive a 500 mA load. The module includes a built-in 2-port Ethernet switch, facilitating a daisy-chain topology. This feature offers flexibility in device configuration, simplifies installation, and reduces infrastructure costs. Additionally, the module provides EMS (EFT/ESD/ Surge) protection and 3000 VDC I/O isolation to enhance noise protection capabilities in industrial environments. It also offers configurable DO power-on value and safe value settings.

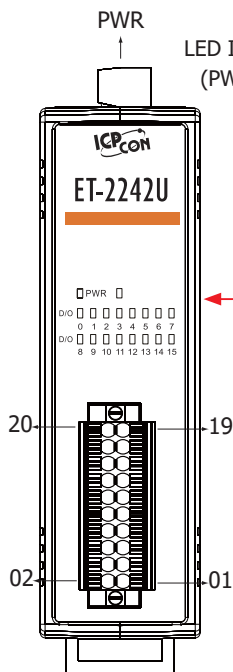
### System Specifications

<b>Software</b>	
Built-in Web Server	Yes
<b>CPU Module</b>	
CPU	32-bit ARM
Watchdog Timer	Module, Communication (Programmable)
<b>Isolation</b>	
2-way Isolation	Ethernet: 1500 VDC I/O: 3000 VDC
<b>EMS Protection</b>	
EFT (IEC 61000-4-4)	±4 kV for Power Line
ESD (IEC 61000-4-2)	±8 kV Contact for Each Terminal ±16 kV Air for Random Point
Surge (IEC 61000-4-5)	±2 kV for Power Line
<b>LED Indicators</b>	
Status	Run, Ethernet, I/O
<b>Ethernet</b>	
Ports	2 x RJ-45, 10/100 Base-Tx, Switch Ports
LAN bypass	Yes
Access Control	Password and IP Filter
Protocol	Modbus TCP, Modbus UDP, MQTT, SNMP V2c
<b>Power</b>	
Reverse Polarity Protection	Yes
Consumption	2.6 W (max.)
Powered from Terminal Block	+10 ~ +48 VDC
<b>Mechanical</b>	
Casing	Plastic
Dimensions (mm)	33 x 126 x 108 (W x L x H)
Installation	DIN-Rail Mounting
<b>Environment</b>	
Operating Temperature	-25 ~ +75 °C
Storage Temperature	-40 ~ +80 °C
Humidity	10 ~ 90% RH, Non-condensing

## I/O Specifications

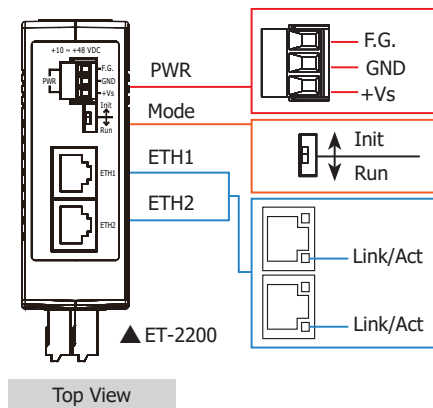
Model	ET-2242U
<b>Digital Output</b>	
Channels	16
Type	Push-Pull
Sink/Source (NPN/PNP)	Sink/Source
Load Voltage	+3.5 ~ +80 V
Load Current	500 mA/channel
Overload Protection	-
Overvoltage Protection	-
Power-on Value	Programmable
Safe Value	Programmable

## Pin Assignments



Pin Assignment	Terminal No.	Pin Assignment
DO7	20	19 DO15
DO6	18	17 DO14
DO5	16	15 DO13
DO4	14	13 DO12
DO3	12	11 DO11
DO2	10	09 DO10
DO1	08	07 DO9
DO0	06	05 DO8
DO.COM	04	03 DO.COM
DO.COM	02	01 DO.COM

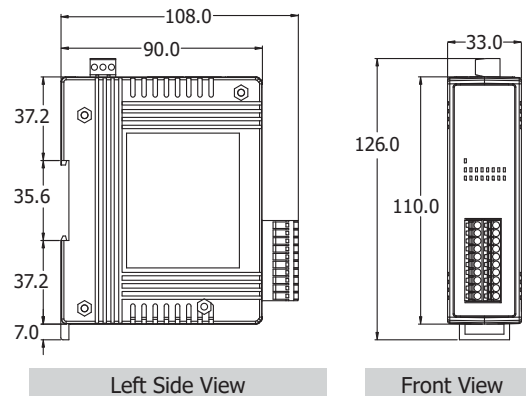
20-pin Connector



## Wire Connections

Output Type	ON State Readback as 1	OFF State Readback as 0
Sink		
Source		

## Dimensions (Units: mm)



## Ordering Information

<b>ET-2242U CR</b>	Ethernet I/O Module with 2-port Ethernet Switch, 16-ch DO (Sink/Source) (RoHS)
--------------------	--