



tM-7561

Tiny USB to Isolated RS-485 Converter

Features

- Fully Compliant with the USB 1.1/2.0 (High Speed)
- Power and data flow indicator for troubleshooting
- 2500 Vdc Isolation Protection on the RS-485 side
- Driver Supports Windows 7 (32/64-bit)/8 (32/64-bit)/10 (64-bit)/11 (64-bit)/Linux
- No External Power Supply required
- Automatic RS-485 Direction Control
- Low power consumption
- Cost-effective Converter
- Tiny packaging fits on your DIN-Rail Mounting



Introduction

The tM-7561 is a cost-effective USB to RS-485 converter. Connecting the tM-7561 to a PC, you get one RS-485 port that allows you to access RS-485 devices through the USB interface. Like the I-7520, the tM-7561 contains "Self-Tuner" chip auto-tunes the baud rate and data format to the RS-485 network. The tM-7561 module derives its power from the USB port and doesn't need external power adapter.

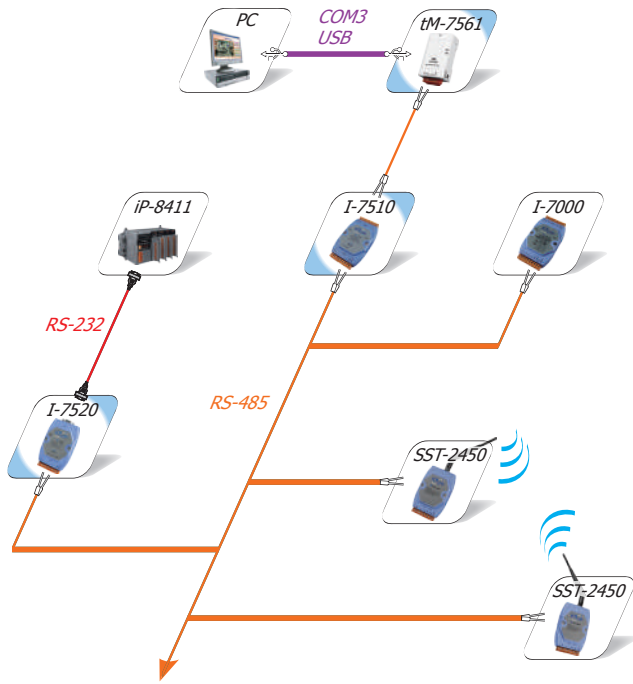
Comparison Table of Converter

Models Name	tM-7561	I-7561/I-7561U
Serial Interface	Only RS-485	RS-232/422/485
Dimensions (W x L x H)	52 mm x 27 mm x 87 mm	72 mm x 35 mm x 115 mm
Remarks	Cost-effective, Entry-level	Entry-level

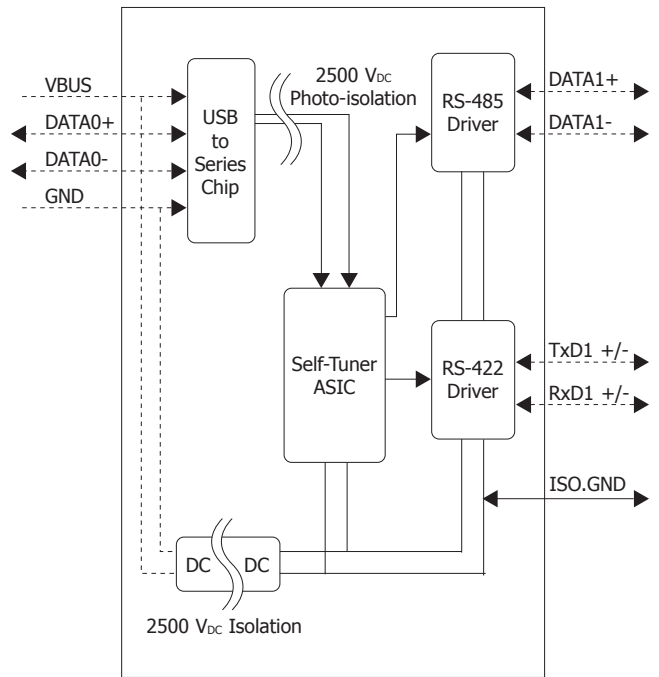
System Specifications

Models		tM-7561
Interface		
USB		Fully Compliant with the USB 1.1/2.0/3.0
Serial Interface	RS-422	-
	RS-485	Data+, Data-
Serial Interface Transmission Distance		Max. 1,200 m at 9.6 kbps; Max. 400 m at 115.2 kbps (Belden 9841 2P twisted-pair cable, if different cables are used, the transmission distance may change)
Self-Tuner Asic Inside		Yes
Speed		300 ~ 115200 bps
Connector	RS-422/485	Removable 7-Pin Terminal Block
	USB	Type B
Cable Included		CA-USB18 (1.8 m Cable) x 1
LED Indicators		
Power		Yes
Power		
Input Voltage Range		+5 Vdc from USB
Power Consumption		0.4 W
Mechanical		
Casing		Plastic
Dimensions (W x L x H)		52 mm x 27 mm x 87 mm
Installation		DIN-Rail Mounting
Environment		
Operating Temperature		-25 °C ~ +75 °C
Storage Temperature		-30 °C ~ +75 °C
Humidity		10 ~ 90% RH, non-condensing

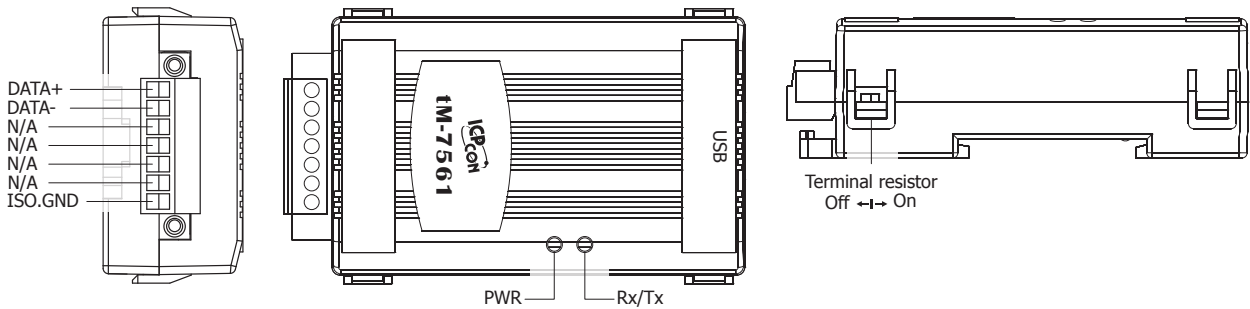
Applications



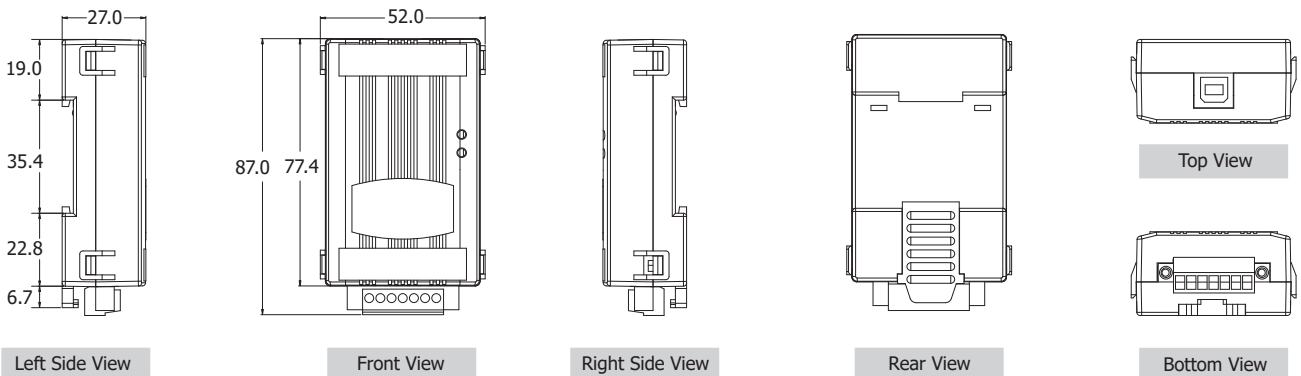
Internal I/O Structure



Pin Assignments



Dimensions (Units: mm)



Ordering Information

tM-7561 CR Tiny USB to Isolated RS-485 Converter with CA-USB18 Cable (RoHS)

Accessories

USB-2560 CR 4-port Industrial USB 2.0 Hub (RoHS)