



## I-7510AR

三端隔離 RS-422/485 中繼器 / 轉換器

### 特色

- 內建 RS-485 自動方向控制
- 傳輸速度高達 115200 bps
- 3000 Vdc 三端隔離保護
- RS-485 傳輸線具 ESD 保護



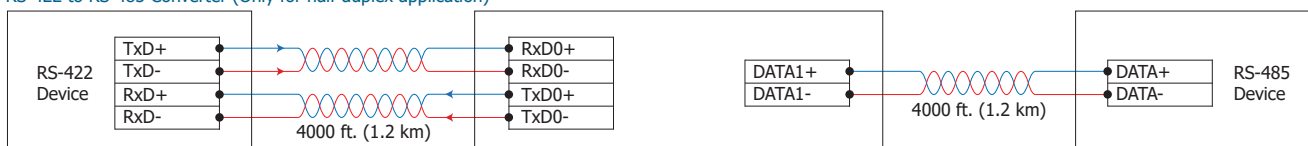
### 介紹

I-7510AR 是一個帶有三端隔離的 RS-422/485 中繼器模組，可以擴展 RS-485 迴路系統上的模組數量。I-7510AR 為 I-7510A 的三端隔離版本，進一步增強了防護能力。

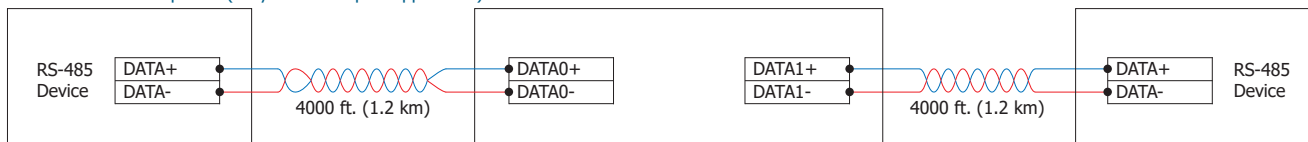
### 應用

#### RS-422/485 應用

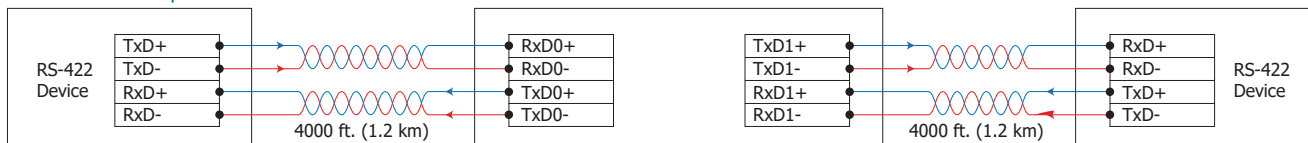
RS-422 to RS-485 Converter (Only for half duplex application)



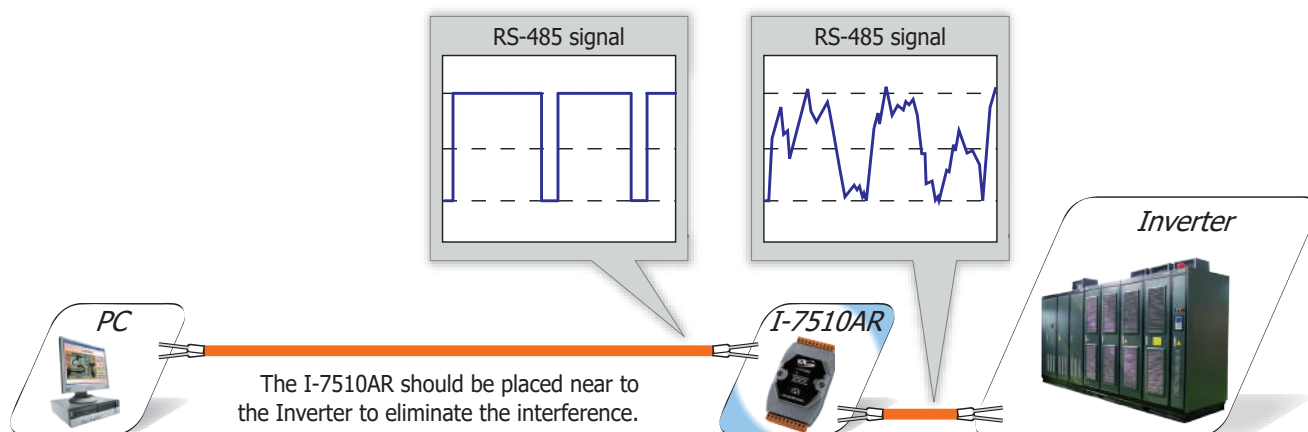
RS-485 to RS-485 Repeater (Only for half duplex application)



RS-422 to RS-422 Repeater



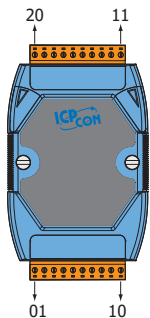
#### 三端隔離應用



## 規格

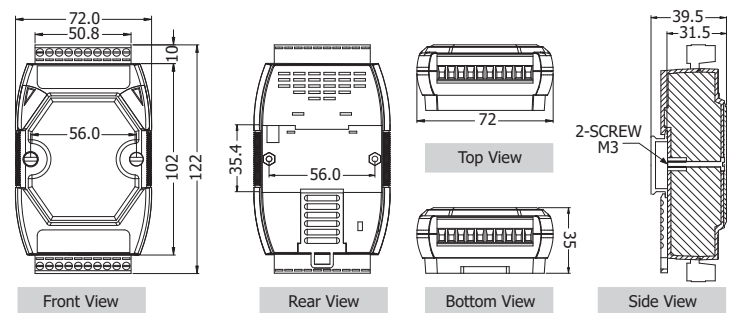
| Interface              |   |   |
|------------------------|---|---|
| Serial Interface       | RS-422  | TxD+, TxD-, RxD+, RxD-<br>The RS-422 and RS-485 cannot be used simultaneously |
|                        | RS-485  | Data+, Data-  |
| Transmission Distance  | Max. 1,200 m at 9.6 kbps; Max. 400 m at 115.2 kbps<br>(Belden 9841 2P twisted-pair cable, if different cables are used, the transmission distance may change) |   |
| Self-Tuner Asic Inside | Yes   |   |
| Speed                  | 300 ~ 115200 bps  |   |
| ESD Protection         | Yes   |   |
| Isolated Voltage       | 3-way 3 kV Isolated   |   |
| Connector              | Removable 10-Pin Terminal Block x 2   |   |
| LED Indicators         |   |   |
| Power/Communication    | Yes   |   |
| Power                  |   |   |
| Input Voltage Range    | +10 V <sub>DC</sub> ~ +30 V <sub>DC</sub>   |   |
| Power Consumption      | 2.2 W   |   |
| Mechanical             |   |   |
| Casing                 | Plastic   |   |
| Dimensions (W x L x H) | 72 mm x 35 mm x 122 mm  |   |
| Installation           | DIN-Rail Mounting   |   |
| Environment            |   |   |
| Operating Temperature  | -25 °C ~ +75 °C   |   |
| Storage Temperature    | -30 °C ~ +75 °C   |   |
| Humidity               | 10 ~ 90% RH, non-condensing   |   |

## 腳位定義



| Terminal No. | Pin Assignment | Terminal No. | Pin Assignment |
|--------------|----------------|--------------|----------------|
| RS-485       | 01 DATA0+      | RS-485       | 20 DATA1+      |
|              | 02 DATA0-      |              | 19 DATA1-      |
|              | 03 --          |              | 18 --          |
| RS-422       | 04 TxD0+       | RS-422       | 17 TxD1+       |
|              | 05 TxD0-       |              | 16 TxD1-       |
|              | 06 RxD0+       |              | 15 RxD1+       |
|              | 07 RxD0-       |              | 14 RxD1-       |
|              | 08 --          |              | 13 --          |
|              | 09 (R)+Vs      |              | 12 --          |
|              | 10 (B)GND      |              | 11 --          |

## 機構圖 (單位: mm)



## 訂購資訊

|               |                                       |
|---------------|---------------------------------------|
| I-7510AR CR   | 三端隔離 RS-422/485 中繼器 / 轉換器 (藍殼) (RoHS) |
| I-7510AR-G CR | 三端隔離 RS-422/485 中繼器 / 轉換器 (灰殼) (RoHS) |

## 配件

|              |   |
|--------------|---|
| GPSU06U-6 CR | 電源供應器, 110~240 V <sub>AC</sub> 至 24 V <sub>DC</sub> /0.25 A, 6 W, 兩腳美規插頭 (RoHS) |
|--------------|---|