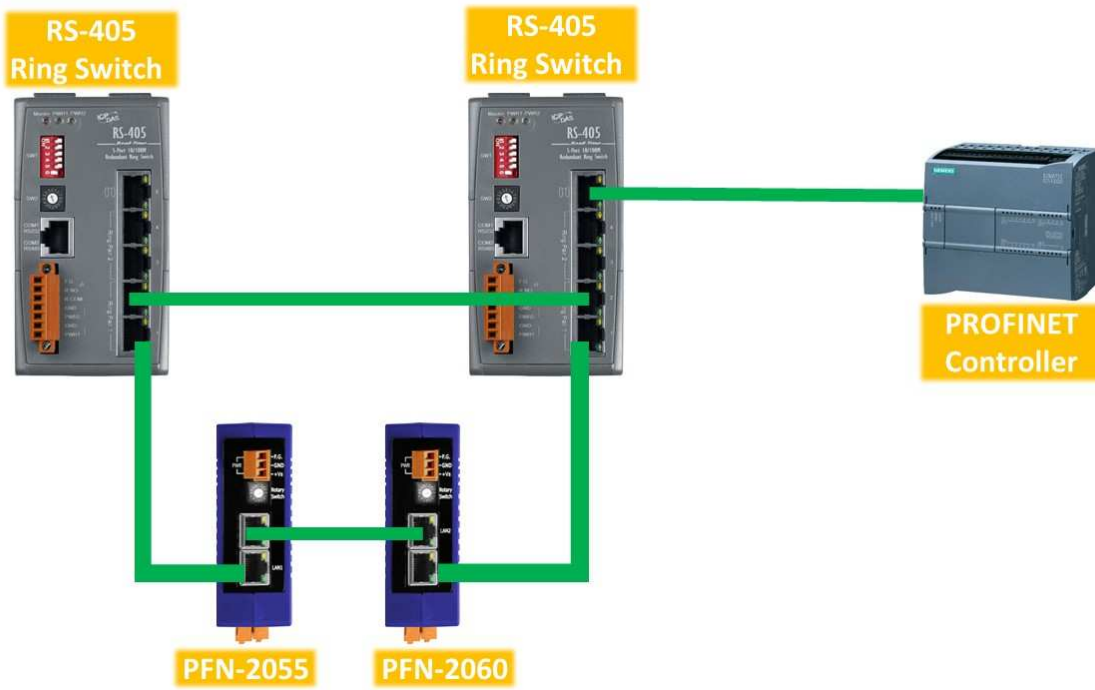


How to use ring topology in PROFINET network ?

1. Architecture



2. Wire Connection

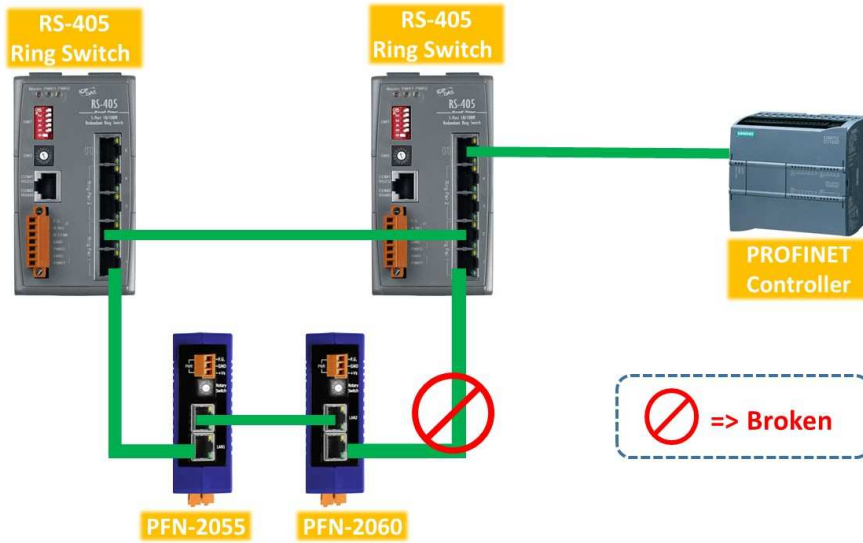


NOTE : This example use Ring Pair 1, Please set bit 6 of SW1 to ON

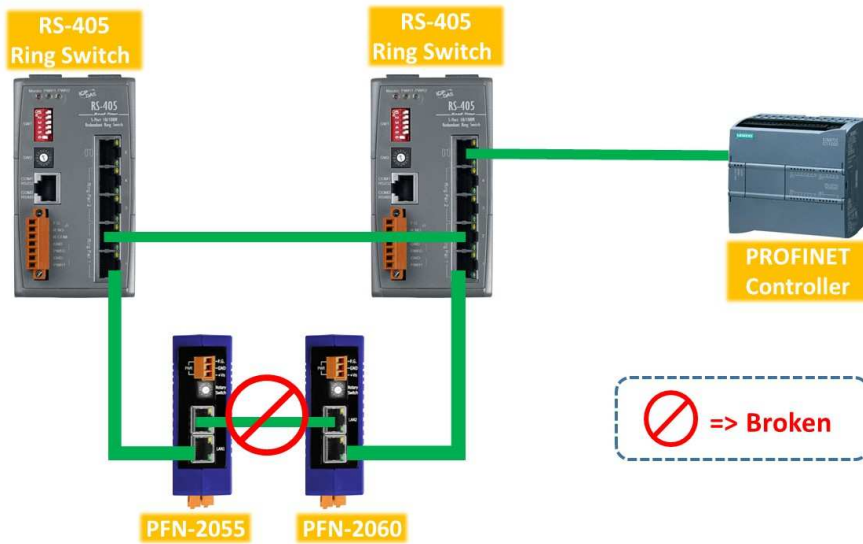


3. Connection state of PROFINET

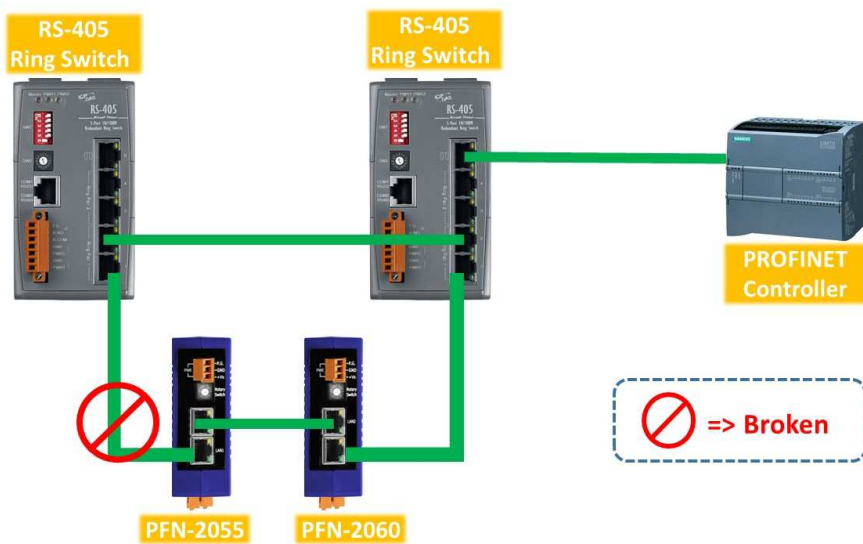
Test 1



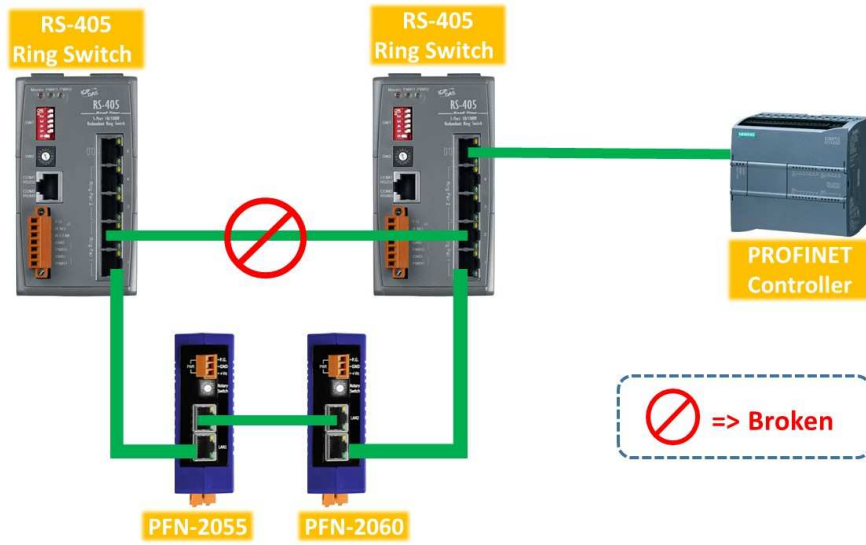
Test 2



Test 3



Test 4



Result: no error

