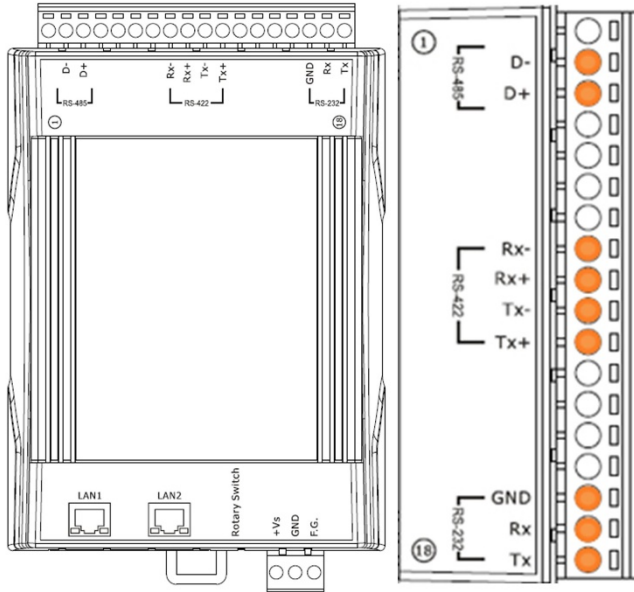
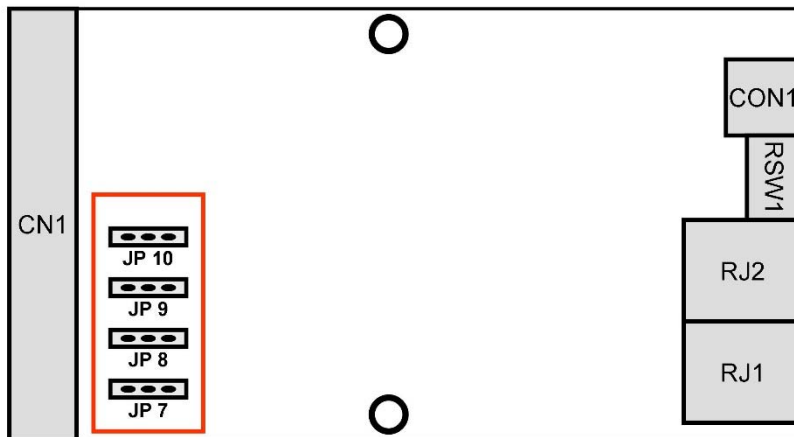


How to check the wire connection?

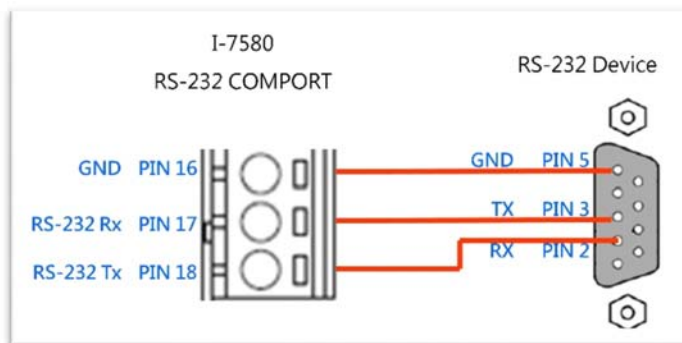


It is recommended to use only one serial port (RS232, RS485 or RS422) of the converter at the same time.

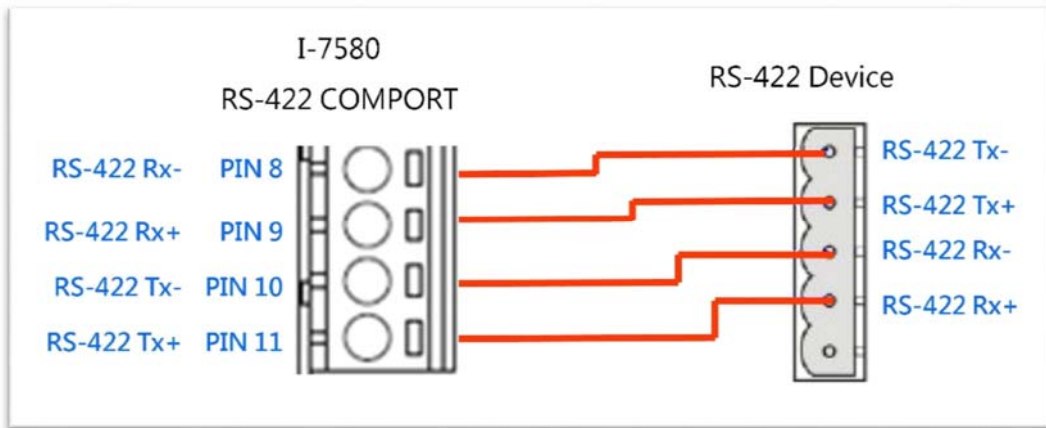
The pull high/low resistor of COM port is shown in below.



● RS-232

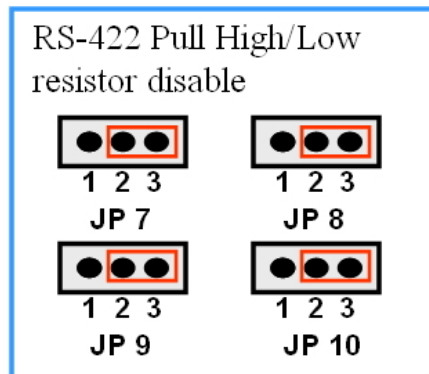
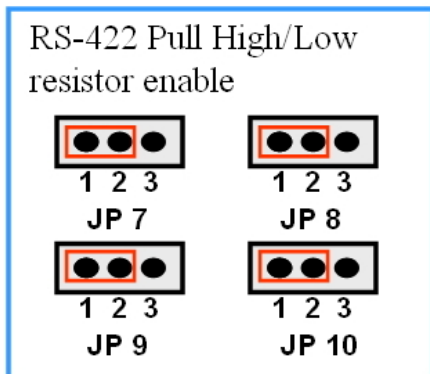


- RS-422

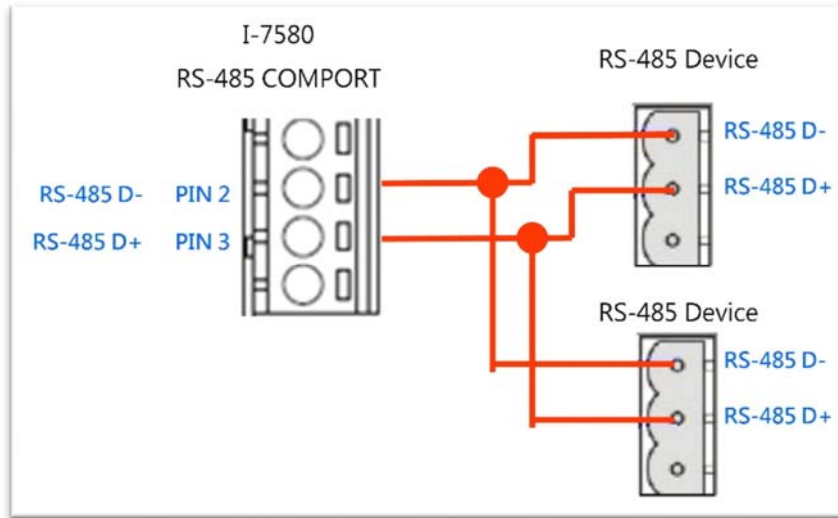


➤ **Configuration of pull high/low resistor for the RS-422 port**

Pull High/Low resistor	Condition
Enable (default)	The I-7580 is the master in RS-422 bus or The number of devices connected to the RS-422 bus is less than 10
Disable	The I-7580 is a slave in RS-422 bus or The number of devices connected to the RS-422 bus is more than 10



- RS-485



➤ **Configuration of pull high/low resistor for the RS-485 port**

Pull High/Low resistor	Condition
Enable (default)	The I-7580 is the master in RS-485 bus or The number of devices connected to the RS-485 bus is less than 10
Disable	The I-7580 is a slave in RS-485 bus or The number of devices connected to the RS-485 bus is more than 10

