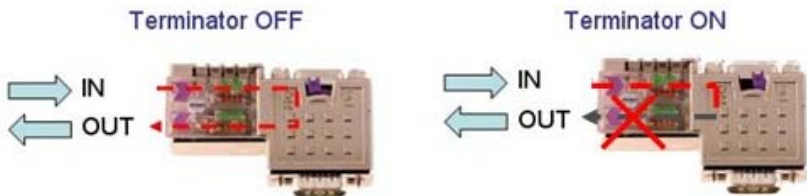
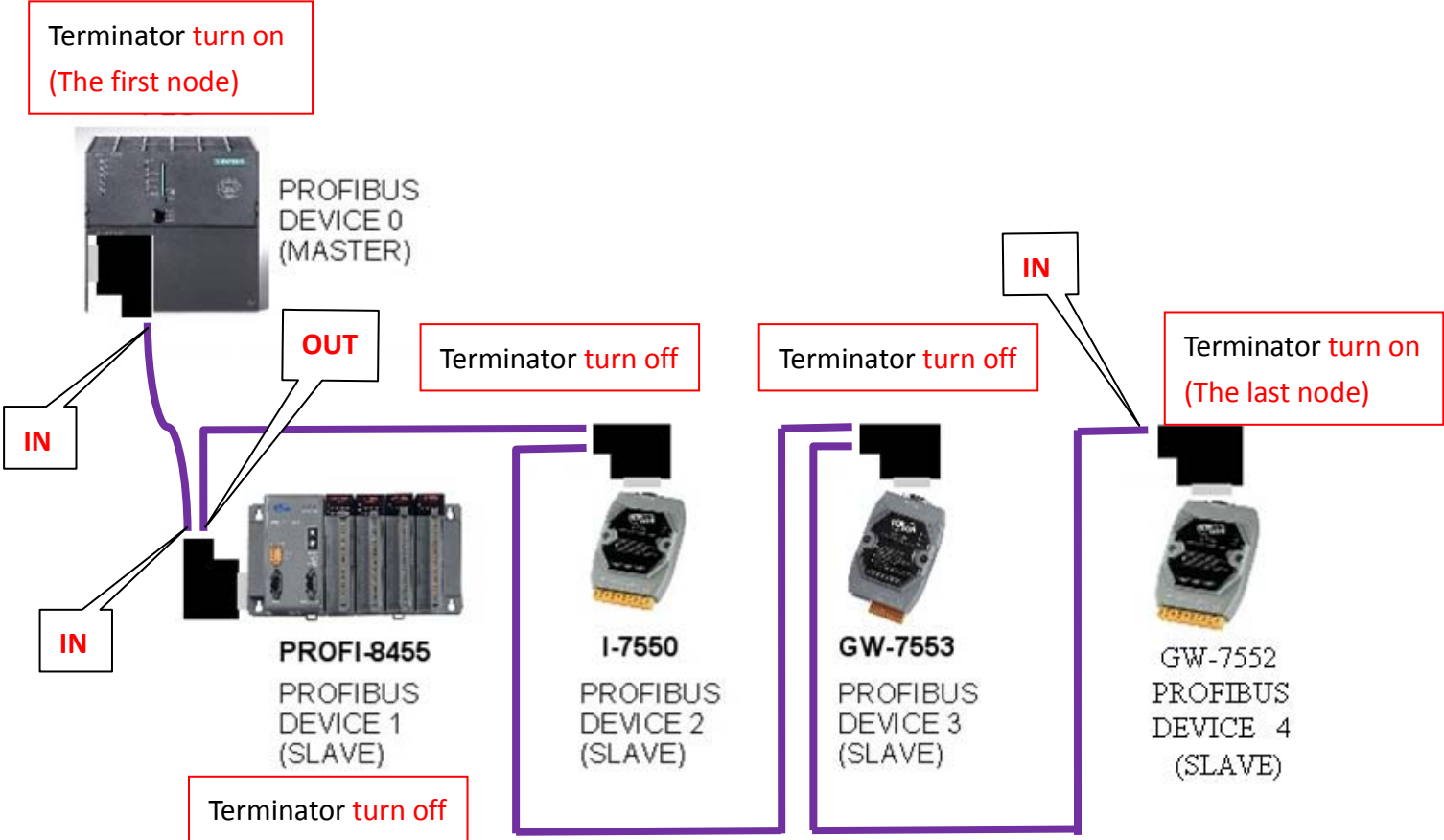


Connection

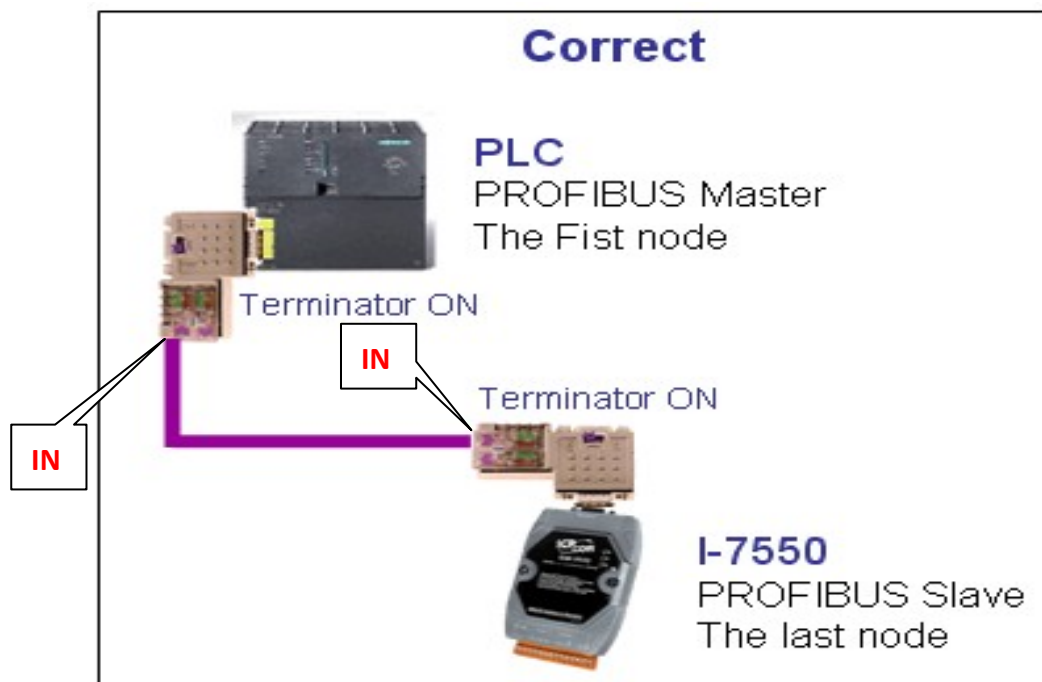
Architecture:



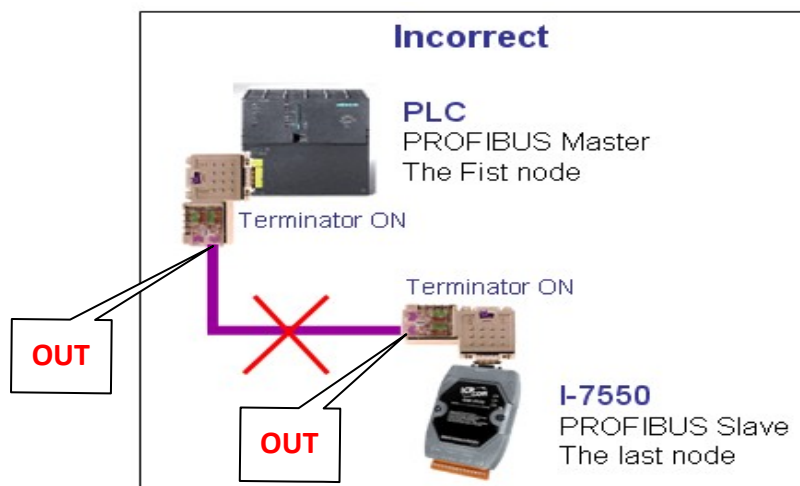
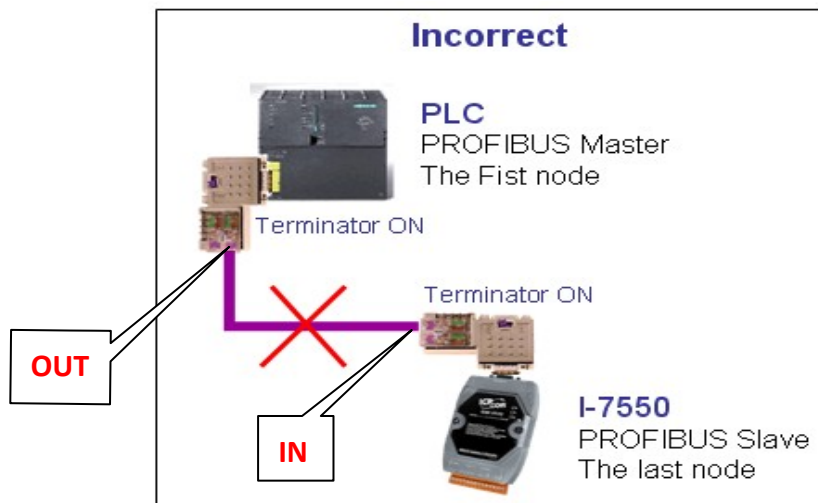
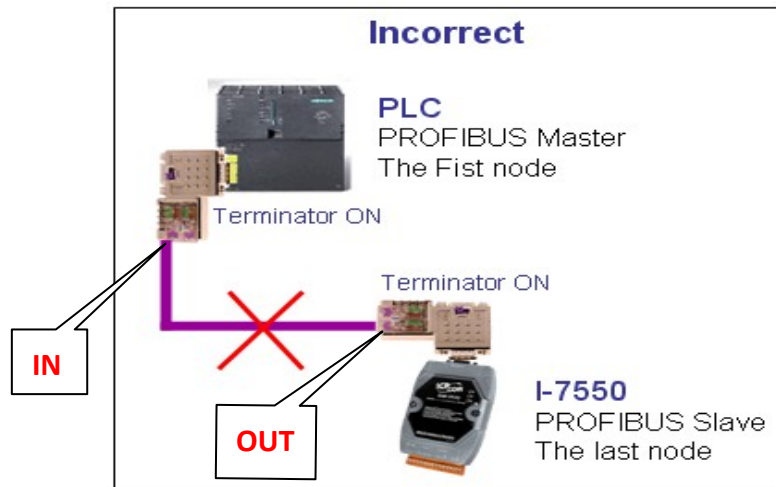
Description

For this architecture, the SIMATIC STEP7 and GW-7552 are terminations so that the terminators of STEP7 and GW-7552 must **turn on**. The terminators of GW-7553, I-7552 and PROFI-8455 must **turn off**. The following examples show the correct and incorrect connections.

Example 1: PLC and I-7550 are terminations and both terminators must **turn on**!



Example 2: There are various kinds of **incorrect** connections.



Example 3: Correct connection

