



EIP-2217

EtherNet/IP Module
(Isolated 8-ch DIFF/16-ch SE Analog Input)

Features

- Transfer protocol: EtherNet/IP
- Powerful 32-bit MCU handles efficient network traffic
- Easy firmware update via Ethernet
- Analog Input
 - Differential: 8 Channels
 - Single ended: 16 Channels
- 2-port Ethernet Switch (LAN Bypass) for Daisy-Chain Wiring



Introduction

The EIP-2000 is an industrial remote I/O module series supporting the EtherNet/IP protocol. Users can seamlessly integrate these modules into the Ethernet network from the industrial floor to the enterprise. The EIP-2000 allows daisy chain connection which permits the flexibility in locating devices, eases installation and lowers infrastructure costs. All the modules can be deployed in the network topologies such as star, line or ring. The isolation design protects the EIP-2000 against the harmful interference. The EIP-2217 is an 8-ch Differential and 16-ch Single-Ended AI module. The module provides a jumper to switch Differential and Single-Ended mode. It supports voltage and current input type. The accuracy of the measurement is smaller than 0.1% FSR. The Module is designed as an EtherNet/IP adapter. Users can obtain the input status as well as the connection status of the EIP-2217 by the LEDs indication. In addition, ICPDAS provides software utility to easily configure and test the EIP-2000 modules via Ethernet.

Applications



Pin Assignments

Port	Pin Assignment
SW1	 Init Run
PWR	F.G. GND + Vs
ETH1	
ETH2	

Pin Assignment	SW2	Pin Assignment
I0		V0
I1		V1
I2		V2
I3		V3
I4		V4
I5		V5
I6		V6
I7		V7

Pin Assignment	Terminal No.	Pin Assignment
VI0	01	02 VI0-/VI8
VI1	03	04 VI1-/VI9
VI2	05	06 VI2-/VI10
VI3	07	08 VI3-/VI11
VI4	09	10 VI4-/VI12
VI5	11	12 VI5-/VI13
VI6	13	14 VI6-/VI14
VI7	15	16 VI7-/VI15
AGND	17	18 AGND
AGND	19	20 AGND

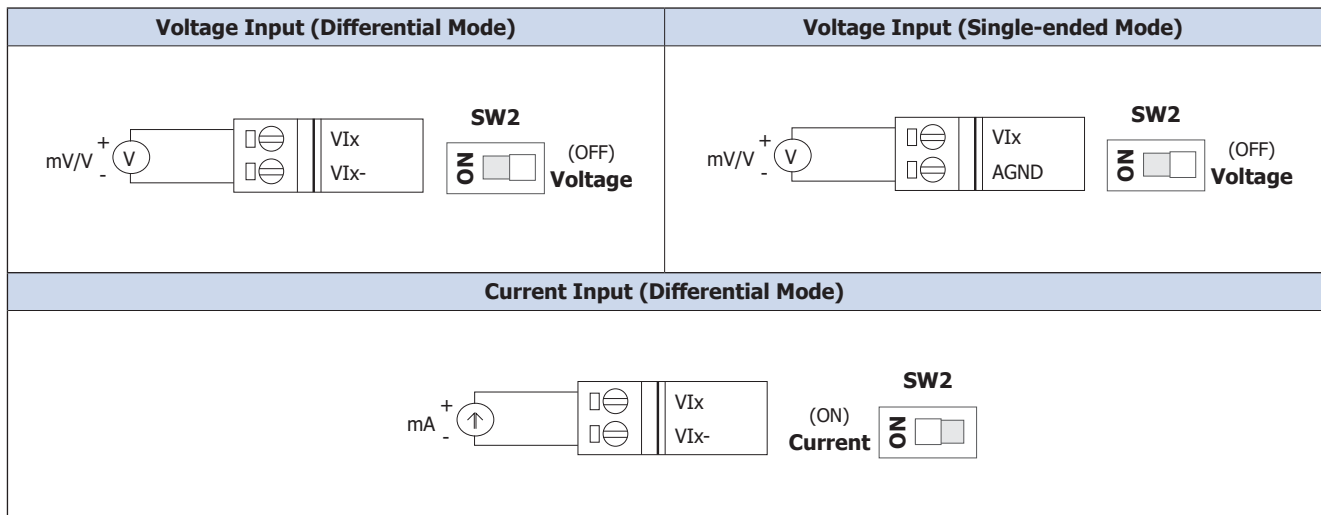
20-pin Connector

Specifications

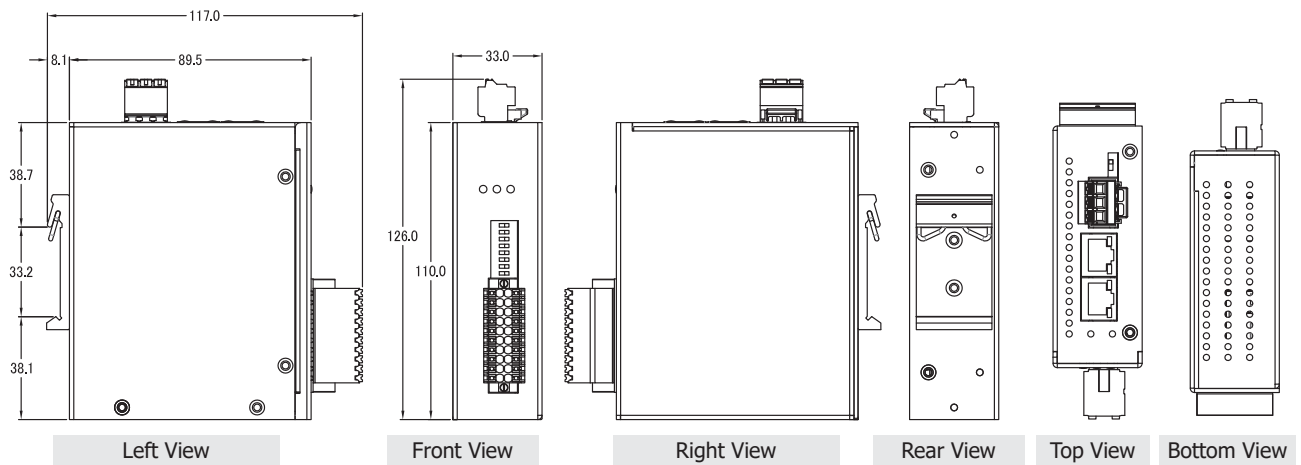
CPU Module	
CPU	32-bit ARM
Watchdog Timer	Module, Communication (Programmable)
Isolation	
2-way Isolation	Ethernet: 1500 VDC I/O: 3000 VDC
EMS Protection	
EFT (IEC 61000-4-4)	±4 kV for Power Line
ESD (IEC 61000-4-2)	±4 kV Contact for Each Terminal ±8 kV Air for Random Point
Surge (IEC 61000-4-5)	±2 kV for Power Line
LED Indicators	
Status	Run, Ethernet
Analog Input	
Channels	8 Differential or 16 Single-ended
Type	Voltage: ±150 mV, ±500 mV, ±1 V, ±2.5 V, ±5 V, ±10 V Current: ±20 mA, 0 ~ +20 mA, +4 ~ +20 mA (DIP switch selectable - see Note 1)
Resolution	16-bit
Accuracy	Normal Mode: ±0.1% of FSR Fast Mode: ±0.5% of FSR
Sampling Rate	Normal Mode: 20 Hz (total channels) Fast Mode: 200 Hz (total channels)
Input Impedance	Voltage: 2 MΩ (Differential), 1 MΩ (Single-ended) Current: 137 Ω (Differential)
Common Voltage Protection	±200 VDC
Overvoltage Protection	120 VDC
Individual Channel Configuration	Yes
Open Wire Detection	For 4 to 20 mA only
Ethernet	
Ports	2 x RJ-45, 10/100 Base-Tx, Switch Ports Support daisy chain connection.
LAN bypass	Yes
Protocol	EtherNet/IP (Adapter)
Power	
Reverse Polarity Protection	Yes
Consumption	3.3 W (max.)
Powered from Terminal Block	+10 to +48 VDC
Mechanical	
Casing	Metal
Dimensions (mm)	33 x 127 x 117 (W x L x H)
Installation	DIN-Rail mounting / Wall mounting (Optional ASO-0015)
Environment	
Operating Temperature	-25 ~ +75 °C
Storage Temperature	-40 ~ +80 °C
Humidity	10 ~ 90% RH, Non-condensing

Note 1: Differential wiring can be used for both voltage input and current input. Single-ended wiring can only be used for voltage input.

Wire Connections



Dimensions (Units: mm)



Ordering Information

EIP-2217 CR	EtherNet/IP Module (Isolated 8-ch DIFF / 16-ch SE Analog Input) (RoHS)
--------------------	--