



NSM-206PSE

6-port 10/100 Mbps PoE(PSE) Ethernet

Features

- 4 PoE/PoE+ PSE capable ports, fully compliant to IEEE 802.3af/at
- Up to 30 watts per PoE port at 24~57 VDC Power Input
- Full duplex IEEE 802.3x and half duplex backpressure flow control
- Broadcast Storm protection
- Automatic MDI/MDI-X crossover for plug-and-play



Introduction

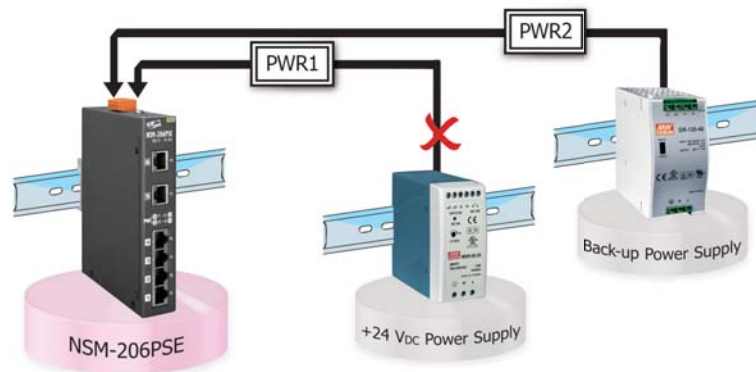
The NSM-206PSE is 6-port unmanaged Ethernet switch supporting Power-over-Ethernet on ports 1 to 4. The switch is classified as power source equipment (PSE), and when used in this way, the NSM-206PSE enable centralization of the power supply, providing up to 30 watts. The NSM-206PSE can be used to power IEEE 802.3af/at standard devices (PD).

Specifications

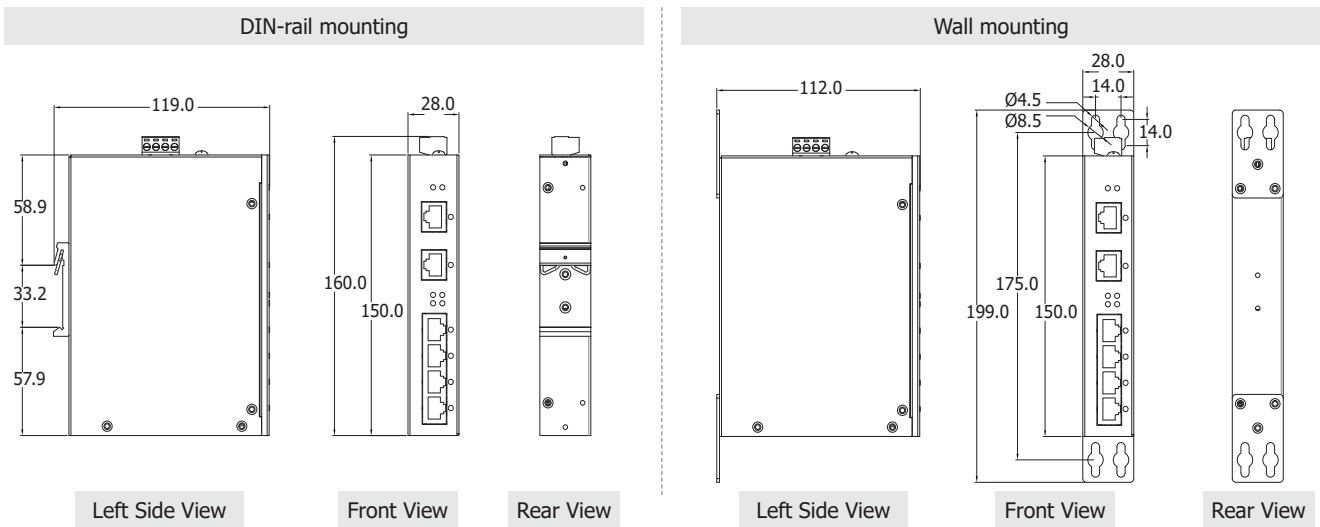
LED Indicators	
Status	PWR1, PWR2, POE, Link/Act, Speed
Ethernet	
Ports	6 x RJ-45, 10/100Base-TX
Standards	IEEE 802.3 for 10 Base-T IEEE 802.3u for 100 Base-TX IEEE 802.3x for Flow Control, Back Pressure Flow Control IEEE 802.3af Power Over Ethernet IEEE 802.3at Power Over Ethernet Energy Efficient Ethernet (EEE) as per 802.3az; this provides power savings during idle network activity
Processing Type	Store & forward; wire speed switching
MAC Table	2048
Frame Buffer Memory	768 Kbit
Isolation	1500 Vrms 1 minute
DIP Switch	Broadcast Storm protection
PoE Technology	
PoE Compliance	100% IEEE 802.3at compliant
PoE Power	Up to 30 watts per channel
PoE Operation	Automatic detection and power management
PoE Pin Assignments	V+ (pin 1, 2), V-(pin 3, 6)
PoE Disconnect Mode	DC disconnect
PoE Voltage	+52 VDC
Power	
Reverse Polarity Protection	Yes
Input Range	12 ~ 57 VDC Redundant dual Input
Redundant Power Inputs	Yes
Consumption	0.125 A @ 12 VDC without PD loading, 6.2A @ 24VDC with PD full loading (15.4W per ports) 0.15 A @ 24 VDC without PD loading, 5.8A @ 24VDC with PD full loading (30W per ports) 0.10 A @ 48 VDC without PD loading, 2.9A @ 48VDC with PD full loading (30W per ports)
Mechanical	
Casing	Metal
Dimensions (mm)	DIN-rail mounting: 28 x 160 x 119 (W x L x H) Wall mounting: 28 x 199 x 112 (W x L x H)
Installation	DIN-rail mounting or wall mounting (optional)
Environment	
Operating Temperature	-40 °C ~ +75 °C
Storage Temperature	-40 °C ~ +85 °C
Humidity	10% ~ 90% RH, non-condensing

Redundant Power Input

Both power inputs can be connected simultaneously to live DC power sources. If one power source fails, the other live source will act as a backup, and automatically supplies all of NSM-206PSE power needs. If operating at high loading (total PoE Loading over 60w) suggest used dual input power supply.



Dimensions (Units: mm)



Ordering Information

NSM-206PSE CR	6-port 10/100 Mbps PoE(PSE) Ethernet Switch (RoHS)
----------------------	--

Accessories

ASO-0015 CR	Wall Mount Kit (W:28mm) (RoHS)
--------------------	--------------------------------