

EtherCAT



## ECAT-2610-DW

EtherCAT SubDevice to Modbus RTU and Power Meter Gateway

### Features

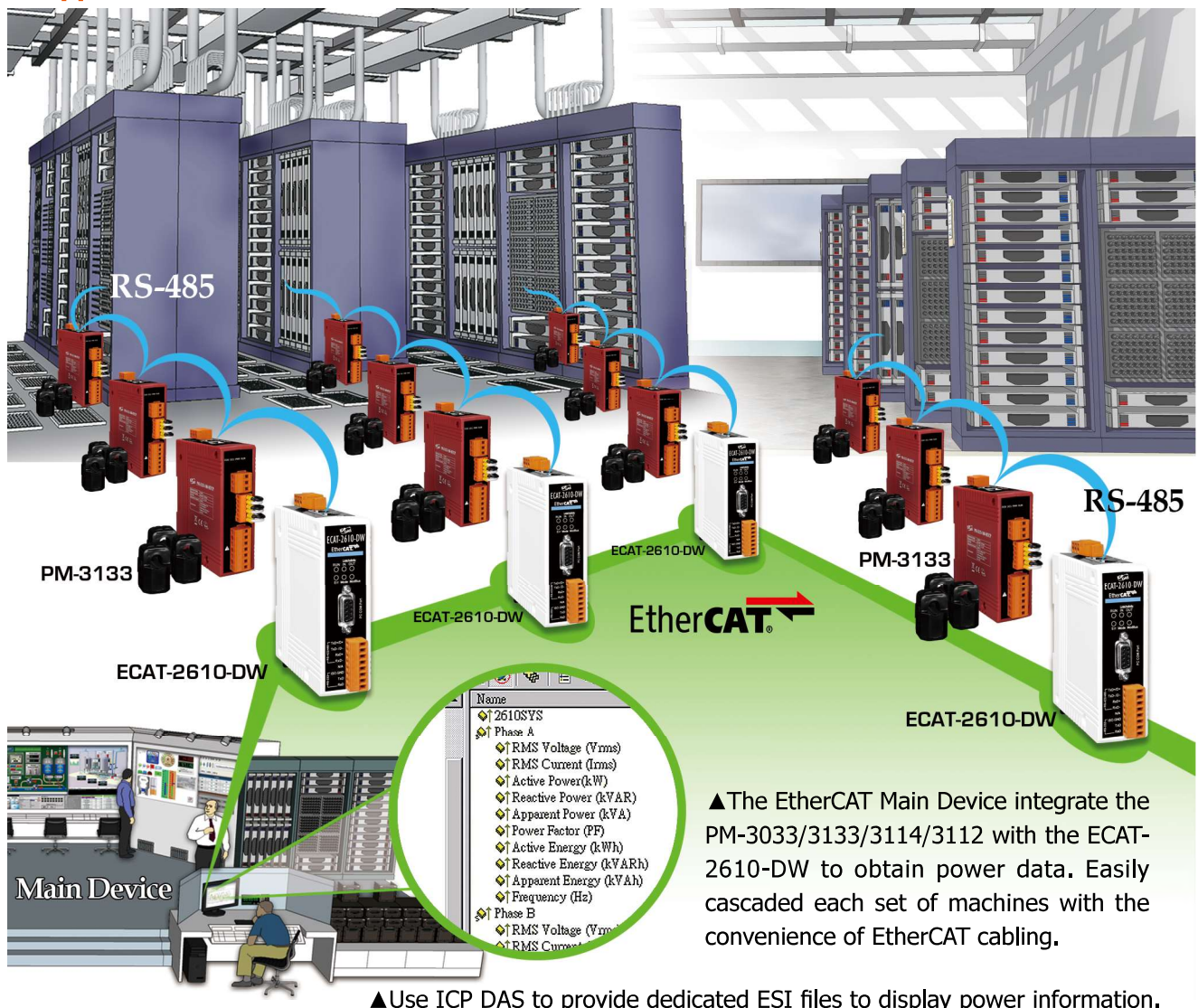
- Supports maximum 128 Input and Output Data
- Supports maximum 6 connection for PM-3033/3133
- 2 x RJ-45 bus interface, Integrate RS-232/422/485 serial device to EtherCAT
- Allows system integrators to retro-fit older automation devices into modern EtherCAT communication structures
- EtherCAT communication structures
- Supports blended to other Modbus SubDevice
- Supports maximum Baud Rate 115200 bps



### Introduction

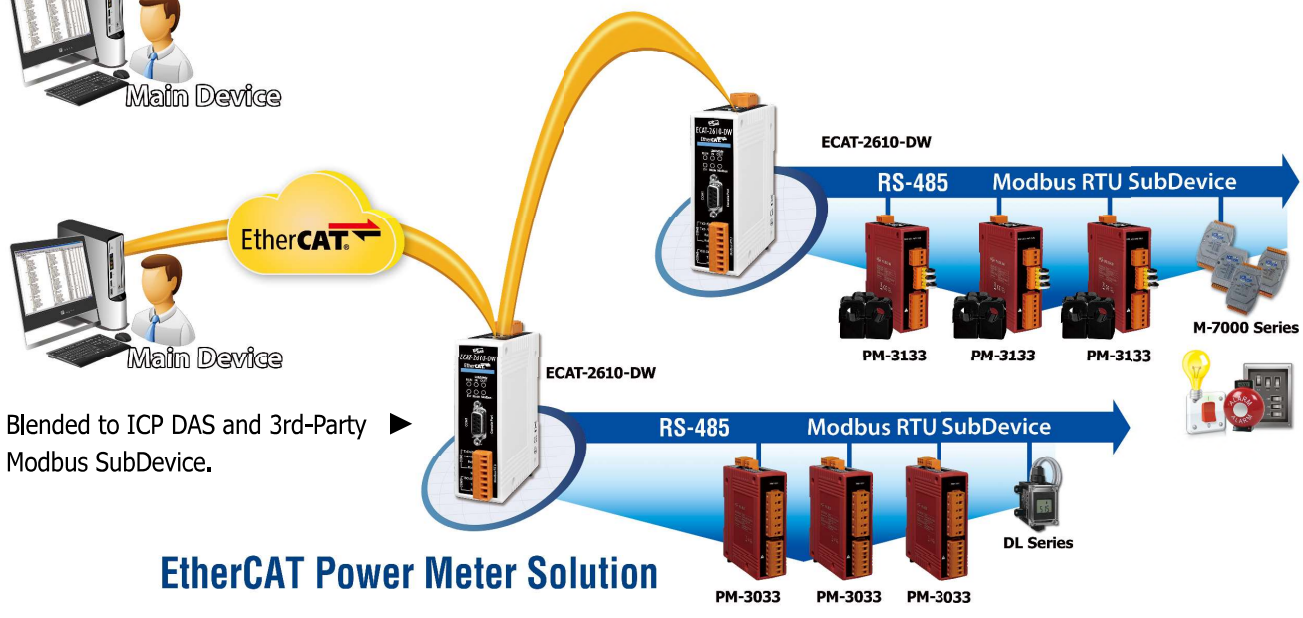
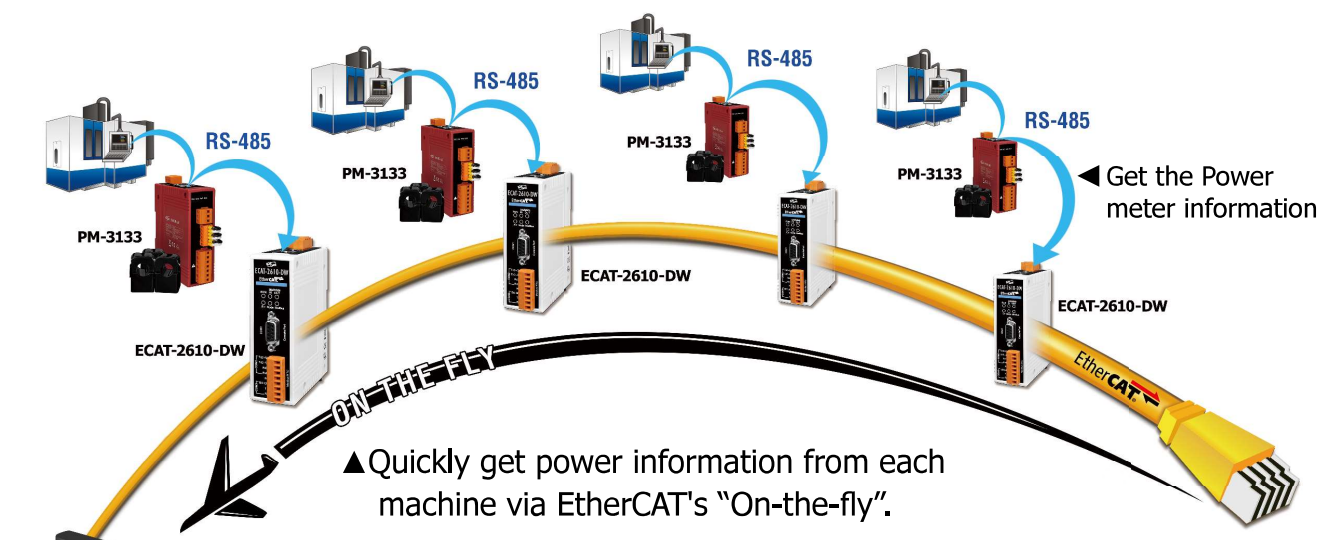
ECAT-2610-DW has EtherCAT to Modbus RTU gateway function, and integrate power meter SubDevice such as PM-3033/3133/3114/3112 into EtherCAT control system through the special configuration file that provided by ICP DAS. And very easy to install and configure. The EtherCAT Main Device can access RxPDO and TxPDO to connect multiple power meter SubDevice such as PM-3033/3133/3114/3112. It can achieve a more diversified energy management program.

### Applications



▲The EtherCAT Main Device integrate the PM-3033/3133/3114/3112 with the ECAT-2610-DW to obtain power data. Easily cascaded each set of machines with the convenience of EtherCAT cabling.

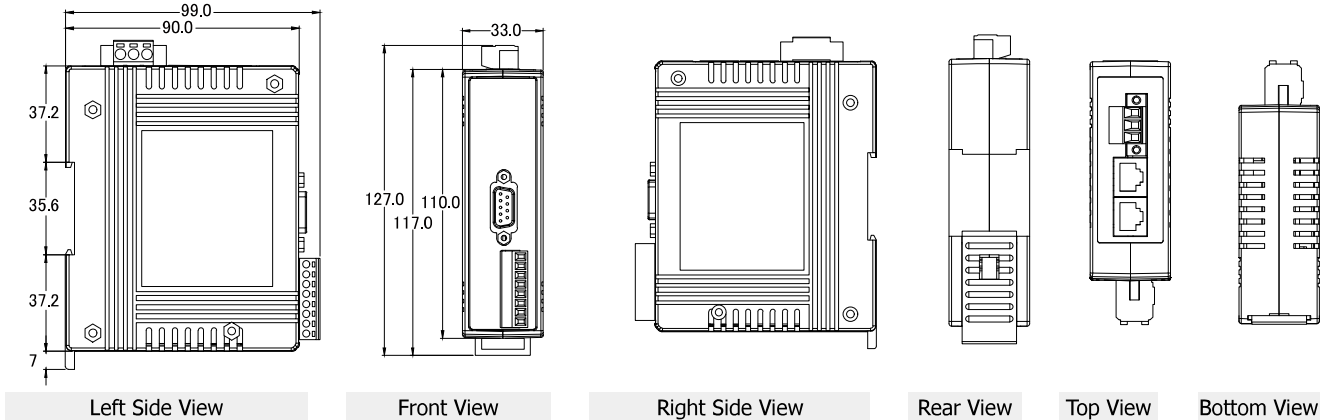
▲Use ICP DAS to provide dedicated ESI files to display power information.



## Specifications

COM Ports	
Ports	1 x RS-232/422/485
Protocol	Modbus RTU
EtherCAT	
Ports	2 x RJ-45 Distance between Stations: Max. 100 m (100BASE-TX) Data Transfer Medium: Ethernet/EtherCAT Cable (Min. CAT 5e)
Cycle Time	10 ms
Distributed Clocks	N/A
Power	
Reverse Polarity Protection	Yes
Input Range	+12 VDC ~ +48 VDC
Consumption	0.1 A @ 24 VDC
Mechanical	
Casing	Plastic
Dimensions (W x L x H)	33 mm x 127 mm x 99 mm
Installation	DIN-Rail
Environmental	
Operating Temperature	-25 ~ +75 °C
Storage Temperature	-30 ~ +80 °C
Humidity	10 ~ 90% RH, Non-condensing

## Dimensions (Units: mm)



## Ordering Information

<b>ECAT-2610-DW CR</b>	EtherCAT SubDevice to Modbus RTU and Power Meter Gateway (RoHS) Includes CA-0915 (DB9 Male to DB9 Female Cable, 1.5 M)
------------------------	---