

Touched HMI vs. DeviceNet Master Gateway Products

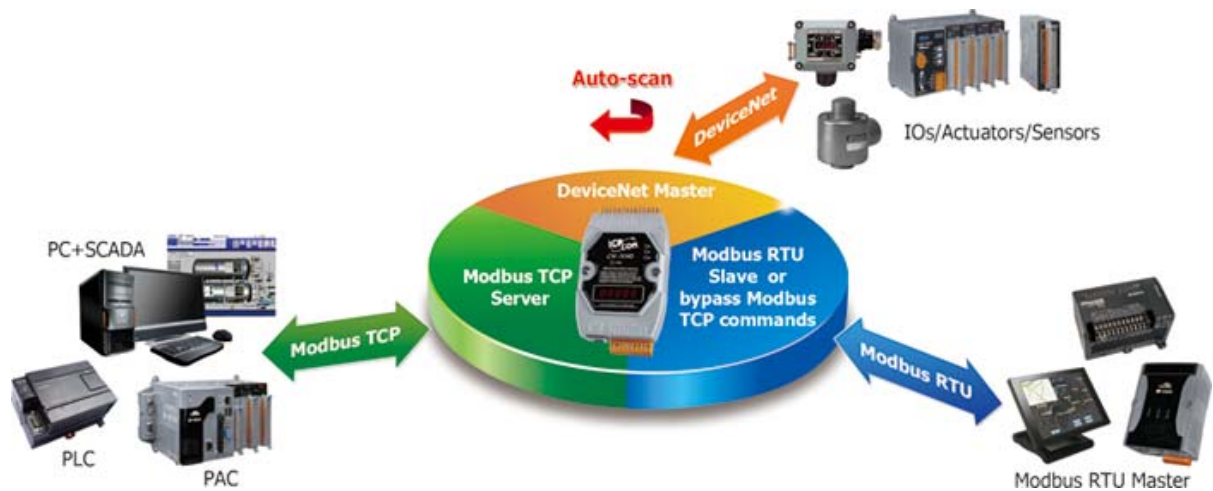
DeviceNet Master Gateway:

The GW-7434D is the DeviceNet master gateway product. It can represent an economic solution of DeviceNet application and be a DeviceNet master device on the DeviceNet network. This module solves the problem to connect an existing DeviceNet network to the Ethernet-based PLC, HMI or SCADA for setting up a control or monitoring system. It is popularly applied in the industrial automation, building automation, vehicle, marine, and embedded control network.



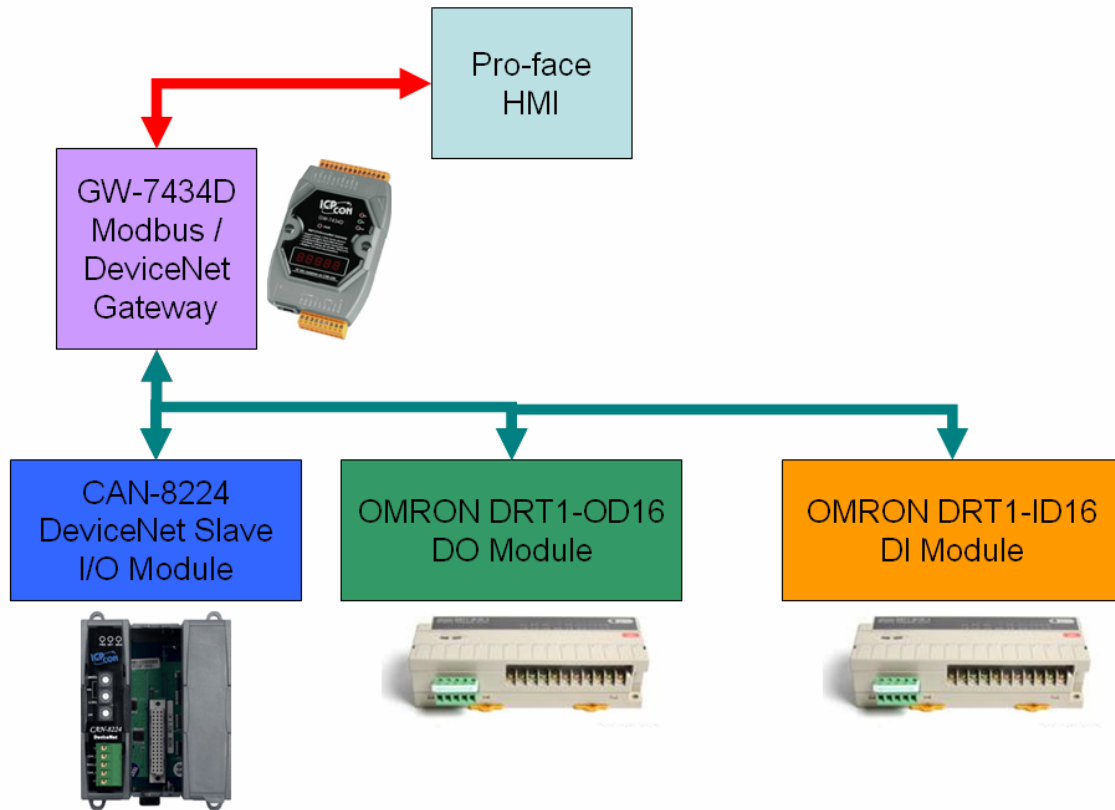
GW-7434D

Modbus TCP/RTU/ASCII Slave to DeviceNet Master Gateway

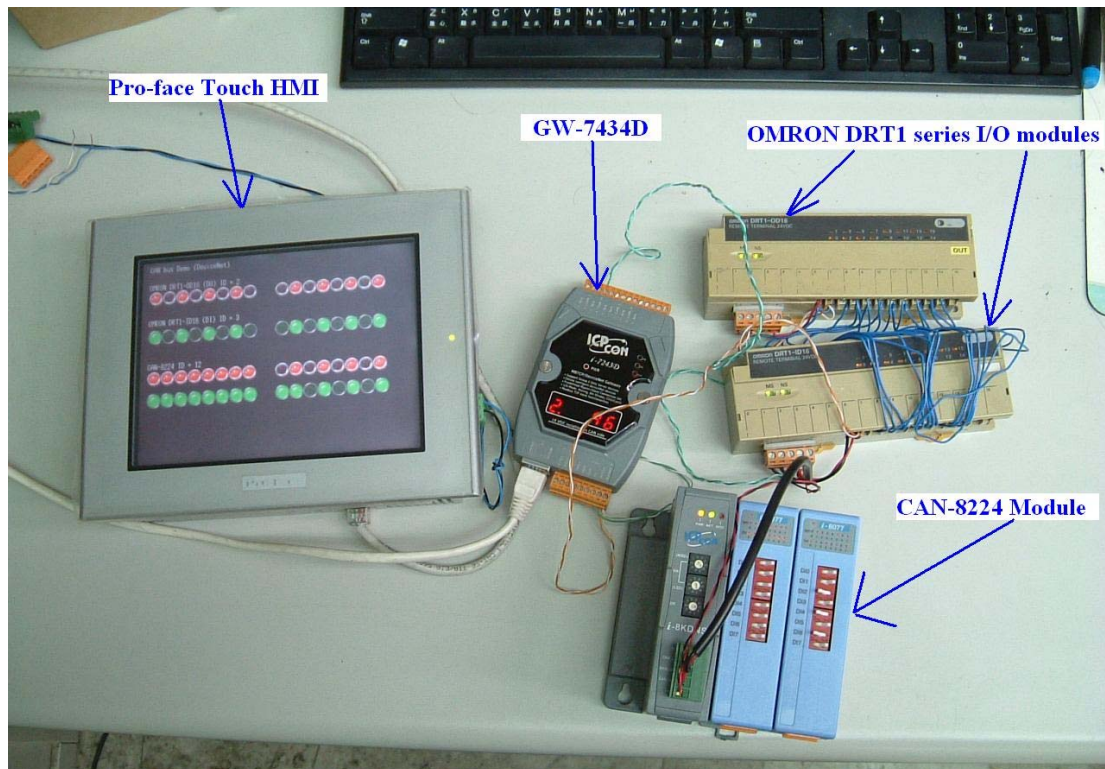


Topology :

The Pro-face HMI was designed as Modbus TCP client. The GW-7434D acts as Modbus TCP server and be the DeviceNet master. The GW-7434D communicated with all slave I/O modules, include CAN-8224 and OMRON I/O modules.



Wire connection with the DeviceNet Master:



The users need to provide extra DC 24V power of the V+ and V- for the DeviceNet I/O module.

HMI Screen

