



iSN-701-BALT-F15-L030 iSN-701-BALT-F15-L060

1-Axis accelerometer

Features

- IEPE accelerometer
- Homotaxial design
- Measuring range is $\pm 80g$
- Frequency response ranges from 0.5Hz to 15kHz



Introduction

iSN-701-BALT-F15-L030/iSN-701-BALT-F15-L060 is a high sensitivity accelerometer, and it is also a homotaxial IEPE accelerometer. This sensor is designed primarily for vibration analysis applications.

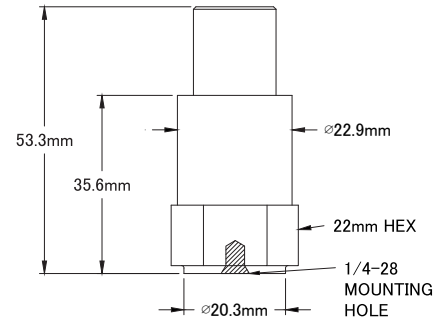
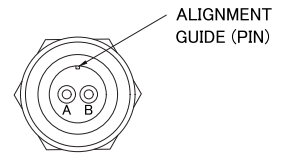
System Specifications

Model	iSN-701-BALT-F15-L030	iSN-701-BALT-F15-L060
Vibration Measurement		
Sensor Type	1-Axis(IEPE)	
Range	$\pm 80g$	
Sampling Rate	0.5Hz~15kHz	
Sensitivity	100mV/g	
Bais Voltage	10~14VDC	
Power		
Input Range	18~30VDC, 2~10mA	
Mechanical		
Dimensions (W x L x H)	$\varnothing 22.9 \text{ mm} \times 53.3 \text{ mm}$	
Cable		
Length	3m	6m

Dimensions (Units: mm)

2 Pin Connector

Connector Pin	Polarity
A	(+)Signal/Power
B	(-)Common




Ordering Information

iSN-701-BALT-F15-L030 CR	1-axis accelerometer, Range 80g, Sensitivity 100mV/g, Frequency 15 kHz, includes 300 cm cable (RoHS)
iSN-701-BALT-F15-L060 CR	1-axis accelerometer, Range 80g, Sensitivity 100mV/g, Frequency 15 kHz, includes 600 cm cable (RoHS)

Related Products

SG-3227 CR	2-channel IEPE Input Signal Conditioner (RoHS)
-------------------	--

Accessories

 iSN-701-BALT-Mbase01	Magnetic Base for iSN-701-BALT series (RoHS)
---	--