



Wi-Fi communication,
Temperature, Humidity and
Dew Point Data Logger
with LCD Display

DL-100S-WF



Wi-Fi communication,
Illuminance, Temperature,
Humidity and Dew Point
Data Logger

DL-110S-WF

Features

- Wi-Fi communication monitoring and configuration
- Compatible with IEEE 802.11b/g/n standards
- Support Access Point(AP) & Station(STA) modes for wireless networks
- Support Modbus TCP
- Photo MOS Relay output
- LCD Display Shows Temperature, Relative Humidity, Dew Point, Date and Time (DL-100S-WF Only)
- Illuminance measure (DL-110S-WF Only)
- Up to 650,000 data logger records
- Wide power supply range
- IP67 Protection Approval



Introduction

The DL-1xxS-WF Series Data Logger devices can be used to record temperature, humidity and dew point information, including the date and time stamps for each record, with up to 650,000 downloadable records(CSV) able to be stored. Real-time data can be accessed from anywhere and any time using the PC Utility, Android APP & Web. It includes 2-channel Photo MOS Relay Output using trigger source and range for Alarm Devices. DL-100S-WF include an LCD display, DL-110S-WF include an Illuminance sensor.

DL-1xxS-WF Series have WLAN connection complies with the IEEE802.11b/g/n standards, support Modbus TCP protocol, TCP & HTML, Which makes perfect integration for monitoring or control in SCADA software, HMI Modbus & Utility.

Applications

- Transportation of food or pharmaceuticals
- Food and beverage industry
- Blood stations, pharmacies
- Building and energy management
- Museums, archives, galleries
- Warehouses

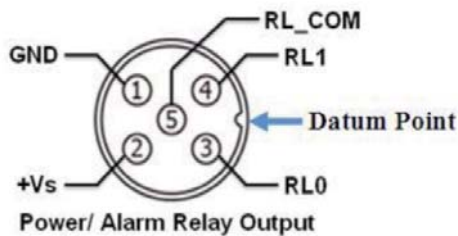
Specifications

| Module | DL-100S-WF | DL-110S-WF |
|--------------------------------|--|------------------|
| CPU Module | | |
| Real Time Clock | Yes | |
| Display | | |
| LCD Information Displayed | Temperature (°C and °F), Humidity (RH), Relative Humidity, Date and Time | |
| LED Indicators | | |
| Status | 2 colors LED, Blue for System status, Red for Wi-Fi connect status. | |
| Temperature Measurement | | |
| Range | -20 ~ +60°C (-31 to +176°F) | |
| Resolution | 0.1°C | |
| Accuracy | ±0.4°C | |
| Humidity Measurement | | |
| Range | 0 ~ 100% RH | |
| Resolution | 0.1% RH | |
| Accuracy | ±3% RH @ 20 to 80% RH | |
| Illuminance Measurement | | |
| Range | - | 0 to 100,000 Lux |
| Resolution | - | 1 Lux |
| Accuracy | - | ±5% |

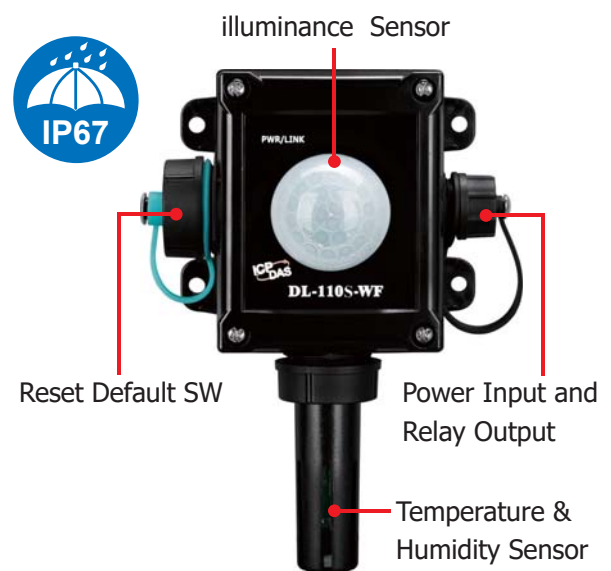
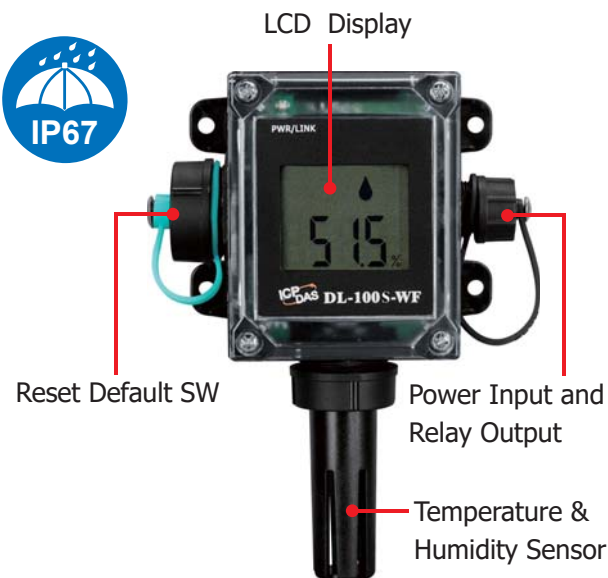
| Module | DL-100S-WF | DL-110S-WF |
|---------------------------|--|----------------------------|
| System | | |
| Data Logger | Yes, 650,000 Records | |
| PhotoMOS Relay Output | Form A x 2, SPST 100 VDC @ 1 A Electrical | |
| Wi-Fi | | |
| Standards | IEEE 802.11 b/g/n | |
| Protocol | TCP, Modbus TCP, HTTP | |
| Mode | Access Point (AP) & Station (STA) | |
| Encryption | WEP, WPA/ WPA2-PSK | |
| Data Rate | 2.4 GHz | |
| Power | | |
| Input Range | +9 ~ 48 VDC with Reverse Protection (+Vs to GND) | |
| Consumption | 0.28 W (WiFi Connected Standby) | |
| Mechanical | | |
| Dimensions (mm) | 103 x 135 x 55 (W x L x H) | 103 x 135 x 67 (W x L x H) |
| Installation | DIN-Rail; Wall mounted | |
| Ingress Protection Rating | IP67 | |
| Environmental | | |
| Operating Temperature | -20 ~ +60°C | |
| Storage Temperature | -30 ~ +80°C | |
| Humidity | 5 ~ 95% RH, Non-condensing | |

Pin Assignments

DL-100S-WF/DL-110S-WF



Appearance

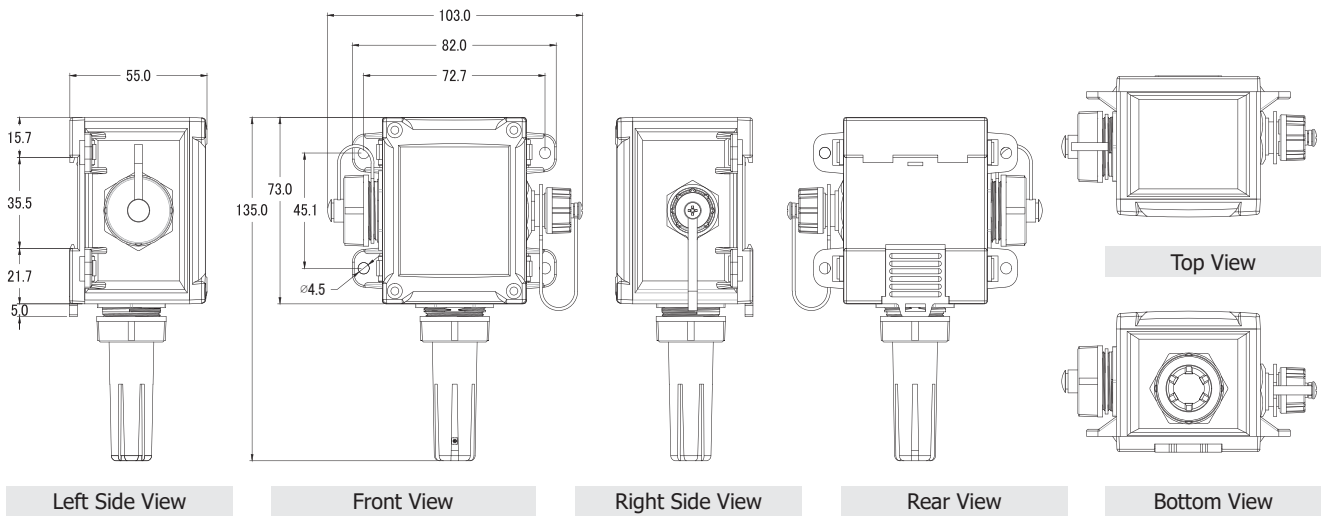


Wire Connections

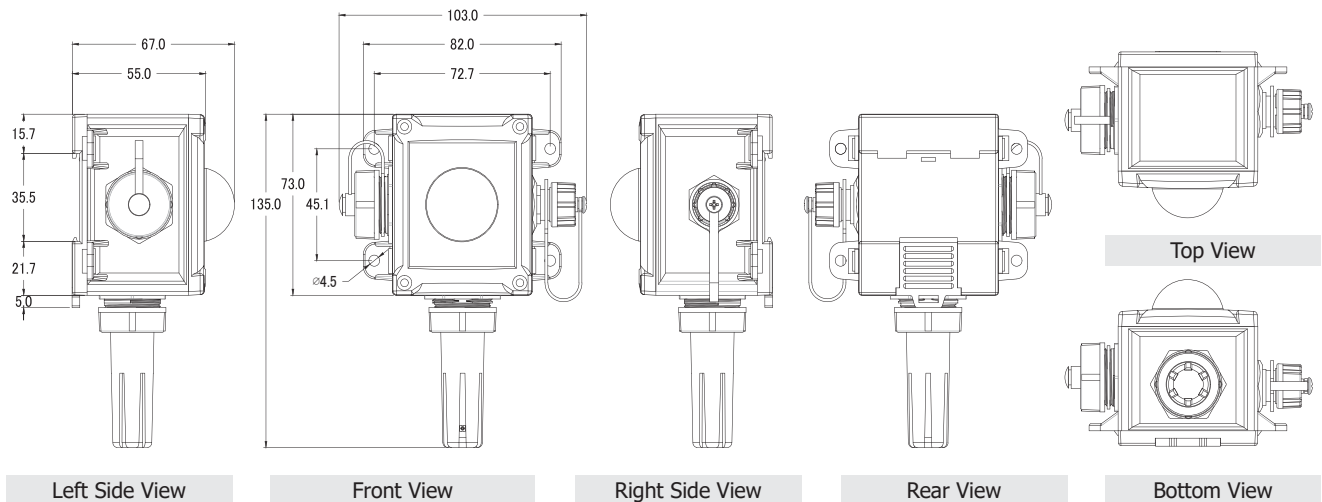
| Digital Output Relay wiring | | |
|-----------------------------|----------|-----------|
| Output Mode | ON State | OFF State |
| Form A Relay | | |

Dimensions (Units: mm)

DL-100S-WF



DL-110S-WF



Ordering Information

| | |
|----------------------|--|
| DL-100S-WF CR | Wi-Fi communication, Temperature, Humidity and Dew Point Data Logger with LCD Display (Black Cover) (RoHS) (Asia Only) |
| DL-110S-WF CR | Wi-Fi communication, Illuminance, Temperature, Humidity and Dew Point Data Logger (Black Cover) (RoHS) (Asia Only) |