

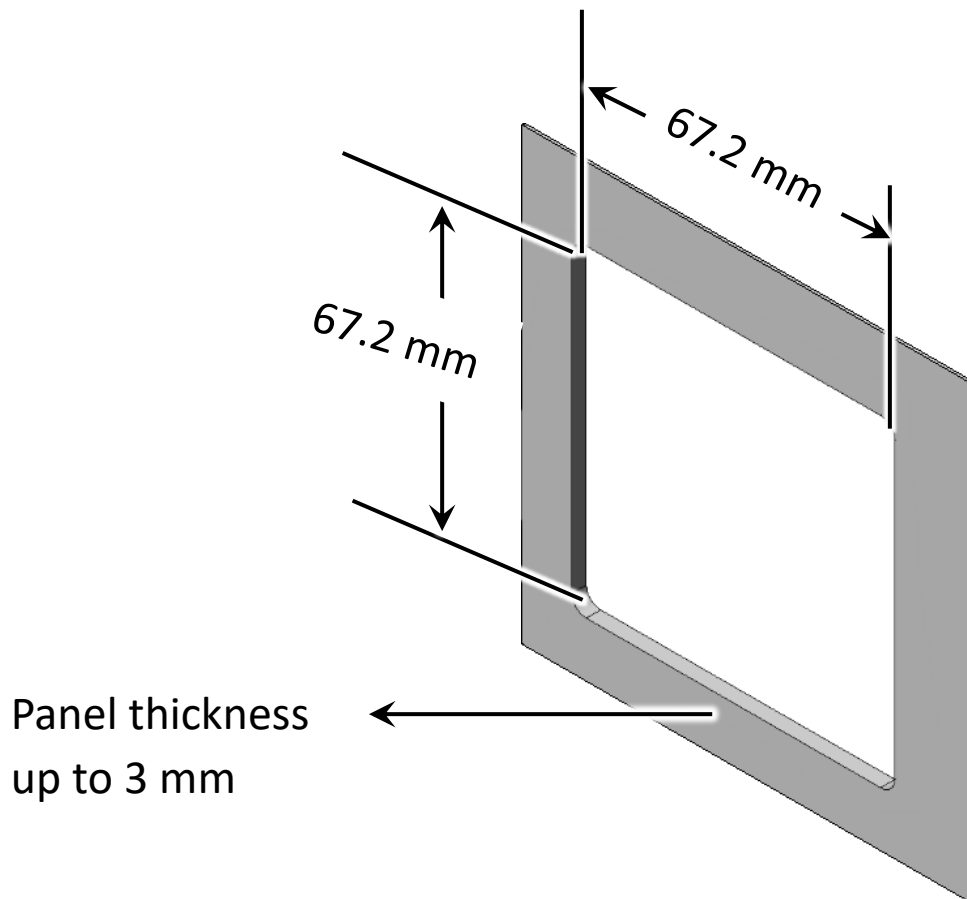


# ALM-06-WF Installation Guide

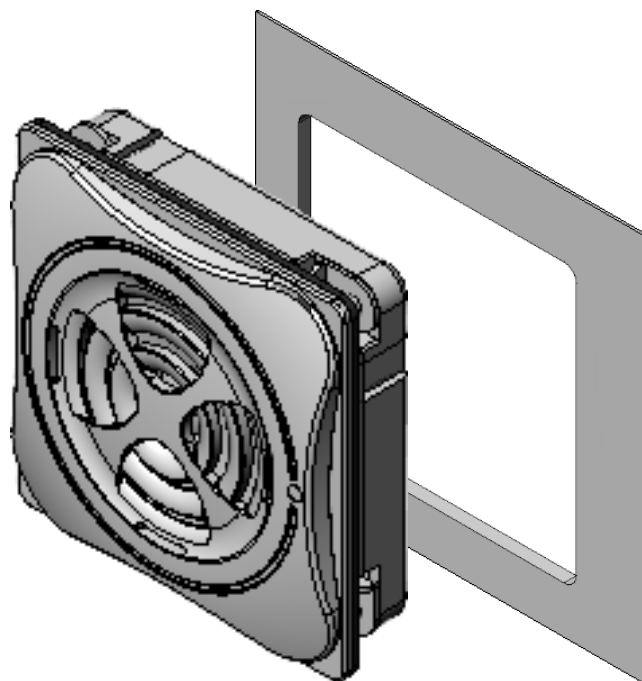
v1.0, September 2019

This guide provides the procedures and instructions necessary to attach the ALM-06-WF on the panel.

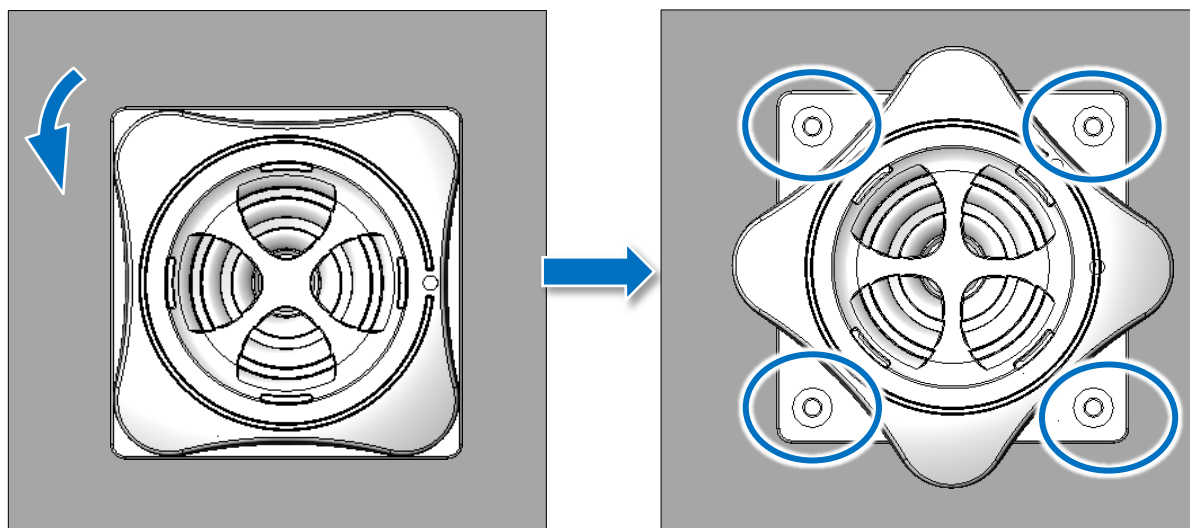
1. Prepare a panel with a maximum thickness of 3 mm, and cut the hole to the specified size



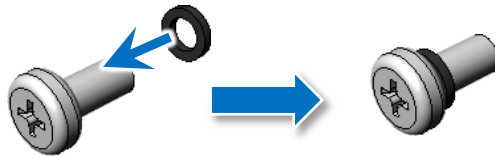
2. Attach the ALM-06-WF to the cut-out hole



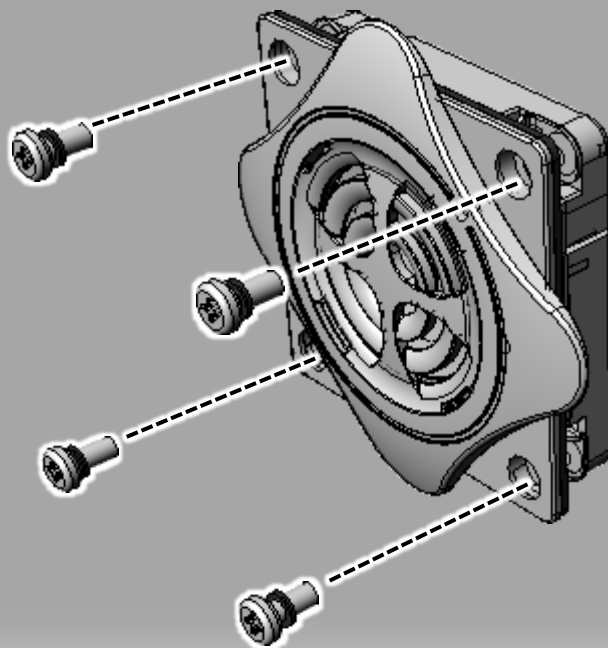
3. Rotate the front cover counterclockwise until the screw hole appears



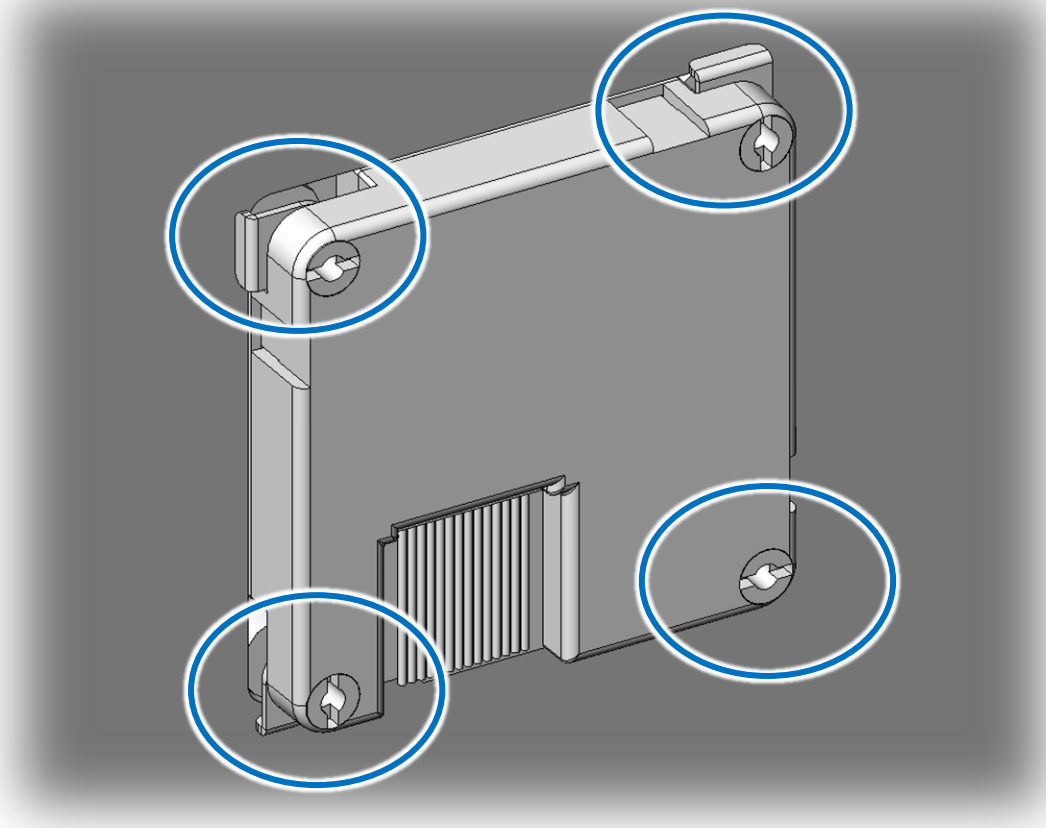
4. Wrap the **Gasket** around the **M4 screw**



5. Insert the screw into the screw hole



6. Make sure the panel clip is fitted and locked on the panel



## Technical Support

CD:\alm\_cd\alm\_06\_wf\Manual

[http://ftp.icpdas.com/pub/cd/alm\\_cd/alm\\_06\\_wf/manual/](http://ftp.icpdas.com/pub/cd/alm_cd/alm_06_wf/manual/)  
[service@icpdas.com](mailto:service@icpdas.com)