

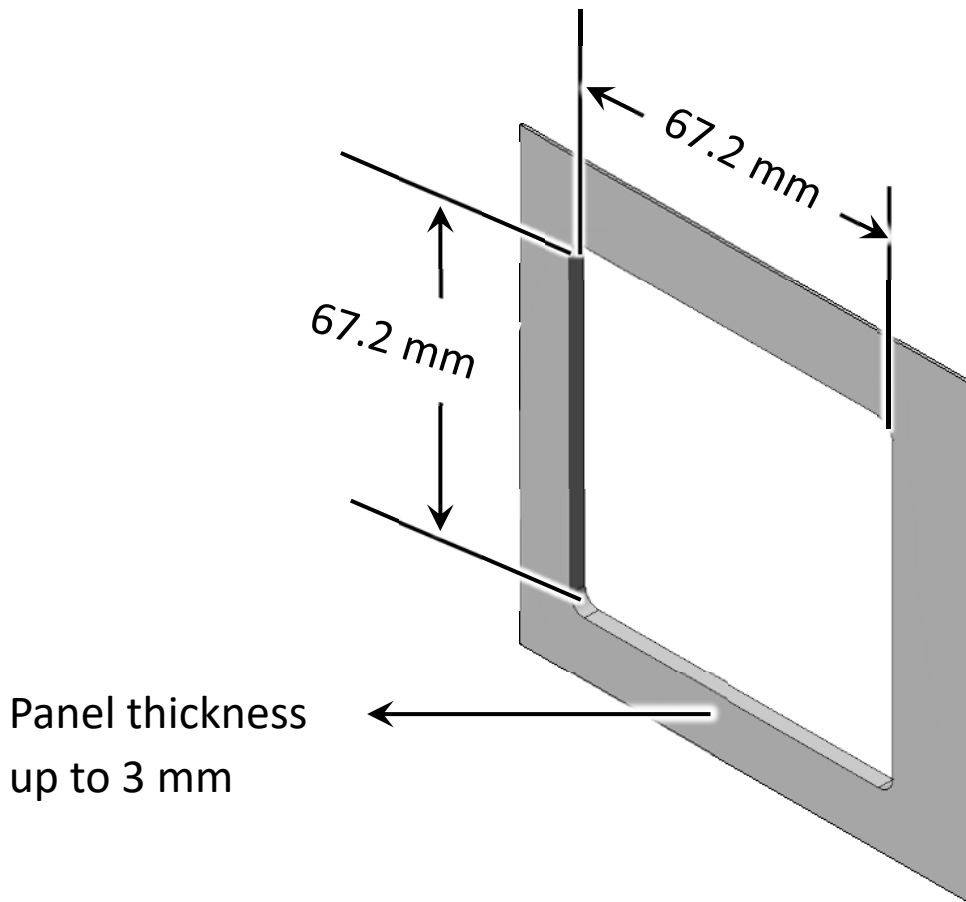


ALM-04-MRTU Installation Guide

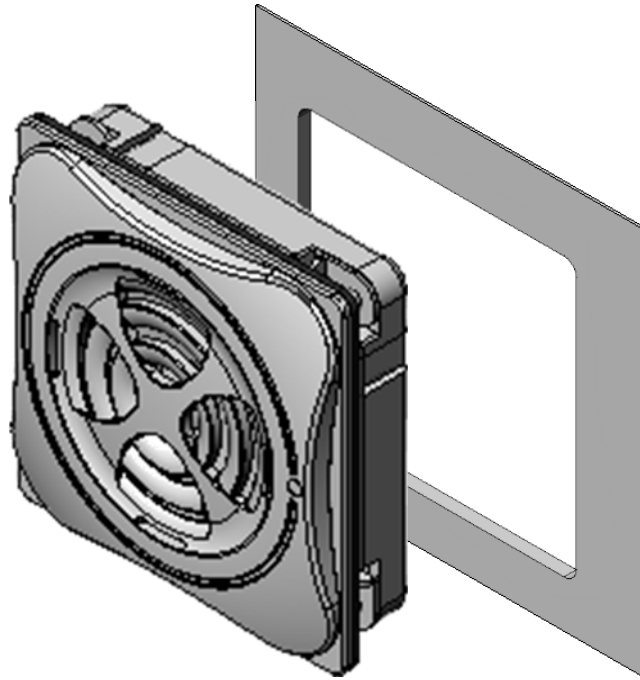
V1.0, JAN 2020

This guide provides the procedures and instructions necessary to attach the ALM-04-MRTU on the panel.

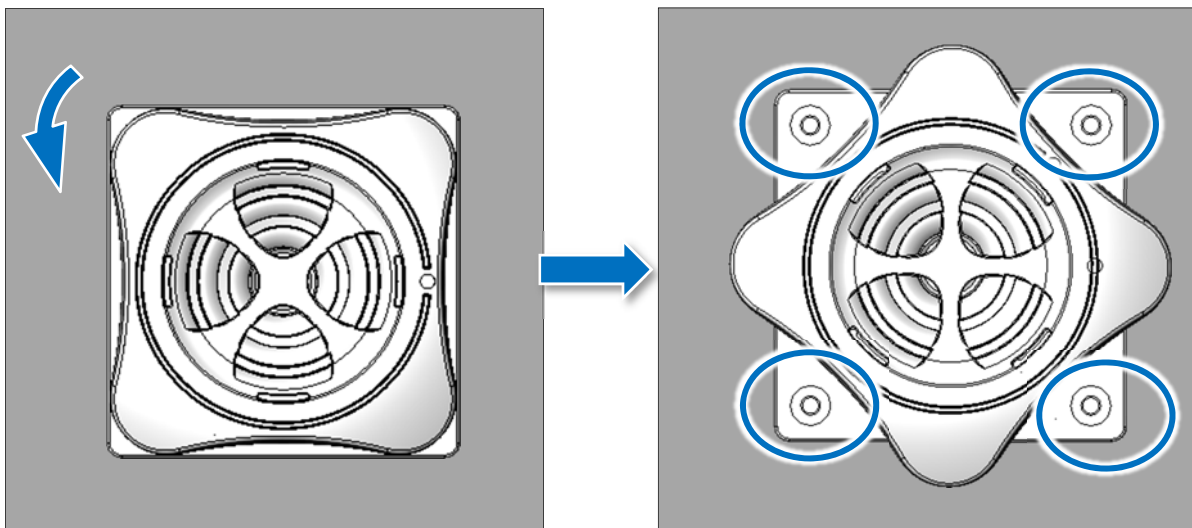
1. Prepare a panel with a maximum thickness of 3 mm, and cut the hole to the specified size



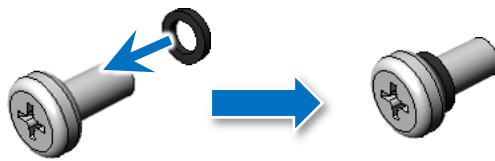
2. Attach the ALM-04-MRTU to the cut-out hole



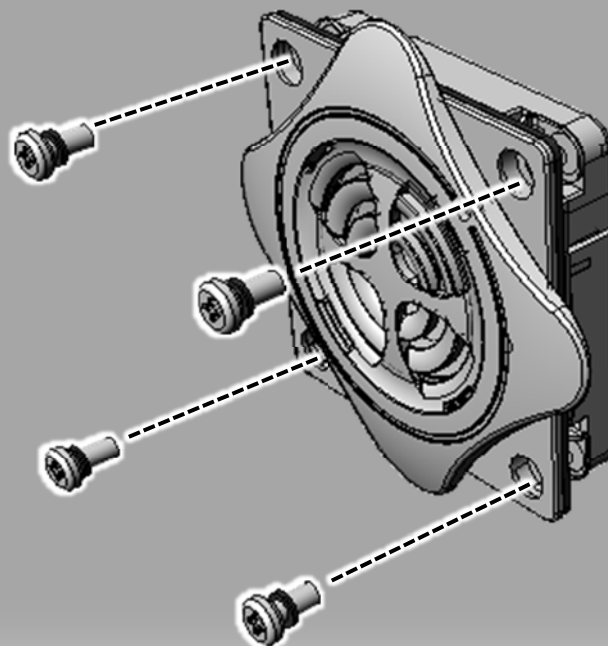
3. Rotate the front cover counterclockwise until the screw hole appears



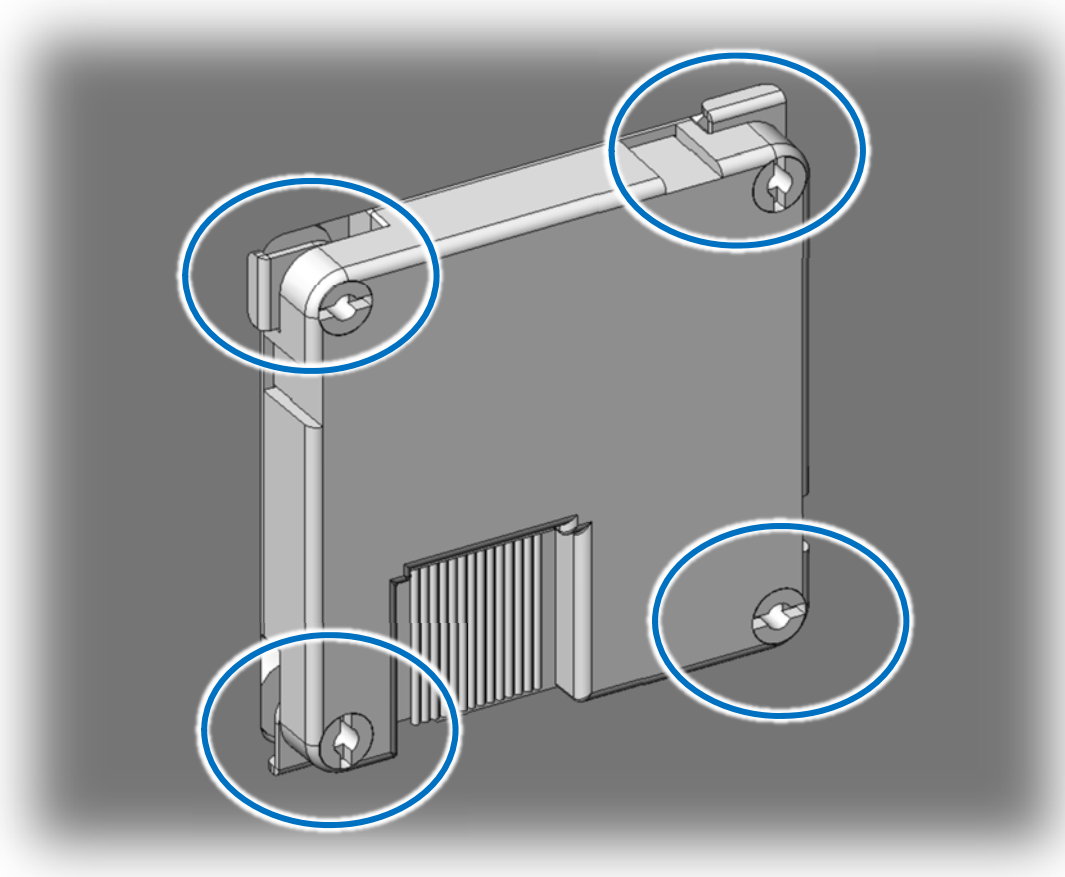
4. Wrap the **Gasket** around the **Screw (M4 x L8)**



5. Insert the screw into the screw hole



6. Make sure the panel clip is fitted and locked on the panel



Technical Support

[ftp://ftp.icpdas.com.tw/pub/cd/alm_cd/alm_04_mrtu/manual/
service@icpdas.com](ftp://ftp.icpdas.com.tw/pub/cd/alm_cd/alm_04_mrtu/manual/service@icpdas.com)