



PM-2133D

3-Phase Smart Power Meter with LED Display

Features

- Bi-directional Energy
- True RMS Power Measurements
- Energy Analysis for 3P4W, 3P3W, 1P3W, 1P2W
- Current Measurements Up to 400 A
- Voltage Measurements Up to 500 V
- Clip-on CT for Easy Installation
- W Accuracy Better than 0.5% (PF=1)
- Total Harmonic Distortion (THD)
- 8 - Digit LED Display



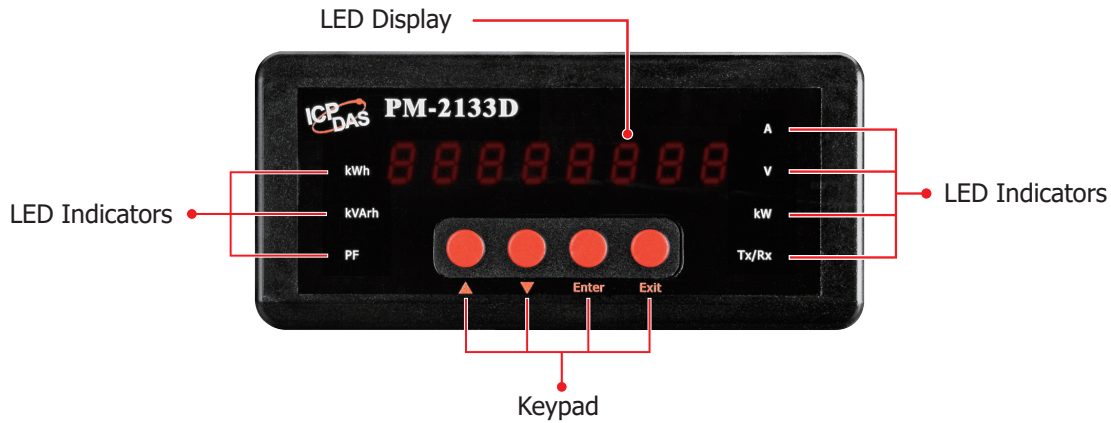
Introduction

ICP DAS brings the most powerful, cost-effective, advanced Smart Power Meters PM-2133D series that gives you access to real-time electric usage for three-phase power measurement. With its high accuracy (<0.5%, PF=1), the PM-2133D series can be applied to both low voltage primary side and/or medium/high voltage secondary side and enables the users to obtain reliable and accurate energy consumption readings from the monitored equipments in real time under operation. These compact size and cost-effective power meters are equipped with revolutionary wired clip-on CT (various types, support input current up to 400 A). It operates over a wide input voltages range 10 to 500 VAC which allows worldwide compatibility. This meter has LED display shows power.

Specifications

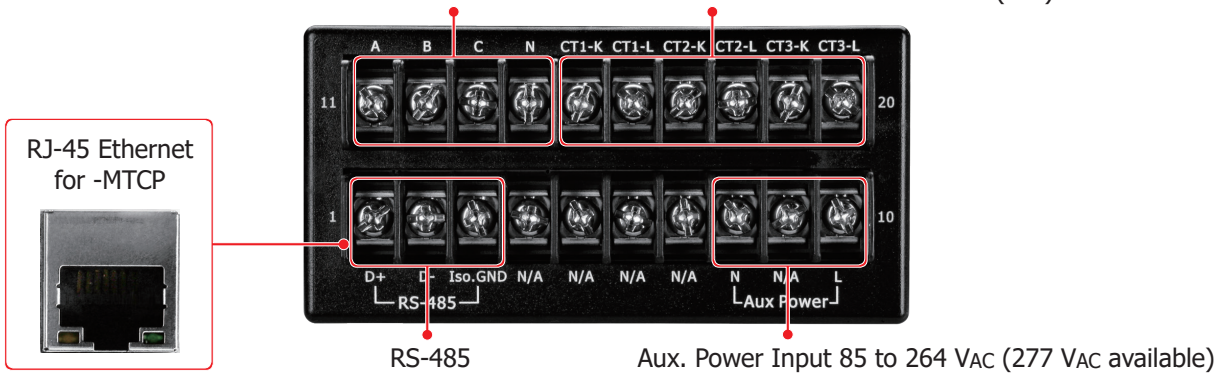
Models	PM-2133D	PM-2133D-MTCP	
AC Power Measurement			
Wiring	3P4W-3CT, 3P3W-2CT, 3P3W-3CT, 1P2W-1CT, 1P3W-2CT		
Loops	3-phase: 1; 1-phase: 3 @ 1P2W-1CT, 1 @ 1P3W-2CT		
Input Voltage	10 to 500 V		
Input Current	CTØ10 mm (0.05 A to 60 A); CTØ16 mm (0.1 A to 100 A); CTØ24 mm (0.15 A to 200 A); CTØ36 mm (0.3 A to 300 A); CTØ36 mm (0.3 A to 400 A).		
Input Frequency	50 Hz (Range 45 to 55 Hz)/60 Hz (Range 55 to 65 Hz)		
W Accuracy	Better than 0.5% (PF=1)		
Power Parameter Measurement	True RMS voltage (V_{rms}), True RMS current (I_{rms}), Active Power (kW), Active Energy (kWh), Apparent Power (kVA), Apparent Energy (kVAh), Reactive Power (kVAR), Reactive Energy (kVARh), Power Factor (PF), Frequency (45 to 65 Hz)		
Data Update Rate	1 Second		
Display Type	LED display		
Communication			
RS-485	Protocol	Modbus RTU	-
	Baud Rate	9600,19200 (default), 38400, 115200	-
	Data Format	N,8,1; N,8,2; E,8,1; E,8,2; O,8,1; O,8,2	-
	Isolation	3000 V _{DC}	-
Ethernet	Protocol	-	Modbus TCP
Power			
Input Range	+85 to +264 V _{AC} (277 V _{AC} available)		
Power Consumption	6 W		
Environment			
Operating Temperature	-20 to +70 °C		
Storage Temperature	-25 to +80 °C		
Ambient Relative Humidity	10% to 90% RH, Non-condensing		

Installation and Wiring

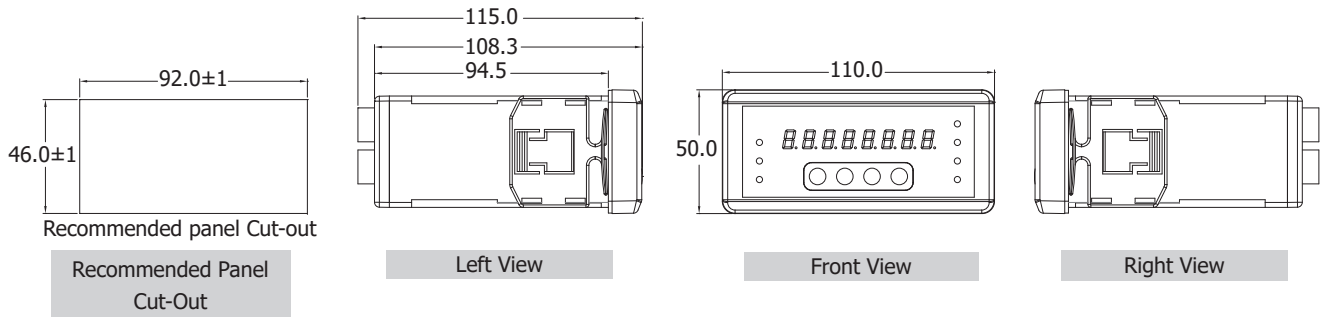


AC Measurement
10 ~ 500 V

External Current Transformers (CTs)



Dimensions (Units: mm)



Ordering Information

RS-485 Interface	
PM-2133D-005P CR	Modbus RTU, 3-phase power meter; includes 5A CT (Inside diameter 10 mm; wire lead 4 m) x 3 (RoHS)
PM-2133D-100P CR	Modbus RTU, 3-phase power meter; includes 60A CT (Inside diameter 10 mm; wire lead 4 m) x 3 (RoHS)
PM-2133D-160P CR	Modbus RTU, 3-phase power meter; includes 100A CT (Inside diameter 16 mm; wire lead 4 m) x 3 (RoHS)
PM-2133D-240P CR	Modbus RTU, 3-phase power meter; includes 200A CT (Inside diameter 24 mm; wire lead 4 m) x 3 (RoHS)
PM-2133D-360P CR	Modbus RTU, 3-phase power meter; includes 300A CT (Inside diameter 36 mm; wire lead 4 m) x 3 (RoHS)
PM-2133D-400P CR	Modbus RTU, 3-phase power meter; includes 400A CT (Inside diameter 36 mm; wire lead 4 m) x 3 (RoHS)

Ethernet Interface (Available soon)	
PM-2133D-005P-MTCP CR	Modbus TCP, 3-phase power meter; includes 5A CT (Inside diameter 10 mm; wire lead 4 m) x 3 (RoHS)
PM-2133D-100P-MTCP CR	Modbus TCP, 3-phase power meter; includes 60A CT (Inside diameter 10 mm; wire lead 4 m) x 3 (RoHS)
PM-2133D-160P-MTCP CR	Modbus TCP, 3-phase power meter; includes 100A CT (Inside diameter 16 mm; wire lead 4 m) x 3 (RoHS)
PM-2133D-240P-MTCP CR	Modbus TCP, 3-phase power meter; includes 200A CT (Inside diameter 24 mm; wire lead 4 m) x 3 (RoHS)
PM-2133D-360P-MTCP CR	Modbus TCP, 3-phase power meter; includes 300A CT (Inside diameter 36 mm; wire lead 4 m) x 3 (RoHS)
PM-2133D-400P-MTCP CR	Modbus TCP, 3-phase power meter; includes 400A CT (Inside diameter 36 mm; wire lead 4 m) x 3 (RoHS)