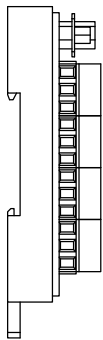
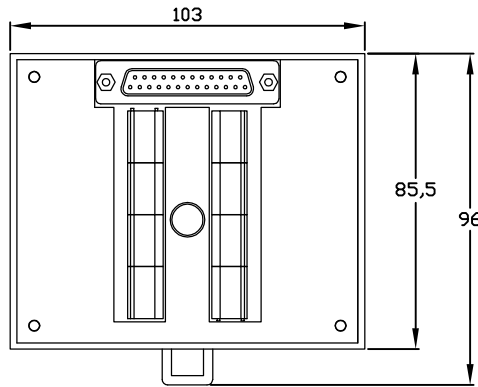


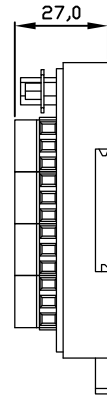
Top View



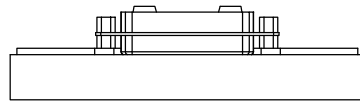
Right Side View



Front View

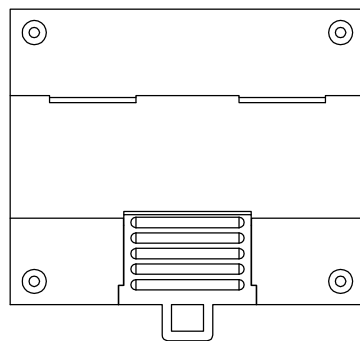


Left Side View



Bottom View

Unit: mm



Back View