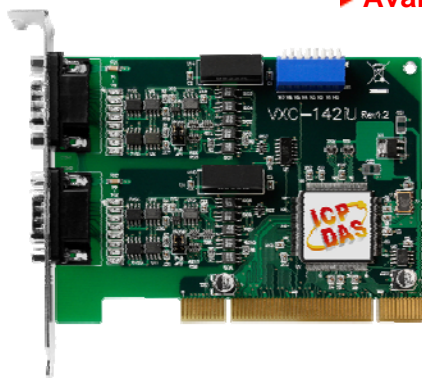




**VXC-142U**  
▶ Available soon



**VXC-142iU**  
▶ Available soon

VXC-142U: Universal PCI Bus, 2-port RS-422/485 communication board

VXC-142iU: Universal PCI Bus, 2-port Isolated RS-422/485 communication board

## Features

- Supports 3.3 V/5 V PCI bus, Plug and Play
- Built-in Com-Selector
- 128 bytes hardware FIFO for each port
- Self-Tuner Inside
- Up to 128 KB software FIFO for each COM port under Windows
- Short Card Design
- Provides 2-port Isolated RS-422/485
- +/-4 kV ESD Protection
- LED diagnostic indicators
- DOS, Windows NT/2K/XP/2003 and Linux driver supported

### [ VXC-142iU only ]

- 3 kV Isolated ports

## Software

- DOS Lib
- Driver for Windows NT 4.0
- Driver for Windows 2000/XP/2003
- Driver for Linux



## Introduction

### Functional Description

The VXC-142U/VXC-142iU card provides two independent RS-422/RS-485 serial ports, while the VXC-142iU card provides isolation voltage up to 3 kV. Each port can be configured as either RS-485 for half-duplex or RS-422 for full-duplex communication. It equips 128 bytes hardware FIFO for each port, offers speed up to 115200 bps and supports full-duplex communication.

The user can select a specified COM port number manually by setting dip switch, or let the driver to choose an available number automatically. The driver provides a maximum of 128 KB software FIFO for each COM port under Windows. It's practical for large file transmission.

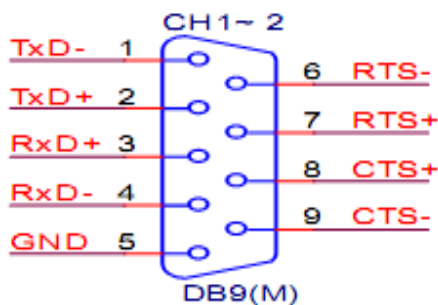
In the harsh industrial environment, the on board ESD protection can protect the computer and equipment from being damaged by high potential voltage. Along with the basic communication feature.

## Specifications

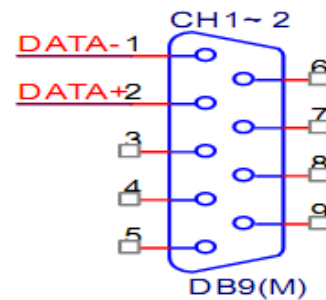
	VXC-142U	VXC-142iU
Interface	Universal PCI bus, 5 V, 33 MHz, 32-bit, Plug and Play mechanism	
COM1, COM2	RS-422/485	Isolated RS-422/485
UART	16C550 compatible	
Baud Rate	50 ~ 115200 bps	
Data Bit	5, 6, 7, 8	
Stop Bit	1, 1.5, 2	
Parity	None, Even, Odd, Mark, Space	
FIFO	Internal 128 bytes	
Connector	2 x DB9 (Male)	
Operating Temperature	0 ~ 50 °C	
Storage Temperature	-20 °C ~ 70 °C	
Humidity	0 ~ 90% RH, non-condensing	
Dimensions (L X W)	130 mm x 105 mm	140 mm x 95 mm

## Pin Assignment

### RS-422 Cable Wiring



### RS-485 Cable Wiring



## Ordering Information

<b>VXC-142U</b> ~Available soon~	Universal PCI Bus, 2-port RS-422/485 Communication Board.
<b>VXC-142i U</b> ~Available soon~	Universal PCI Bus, 2-port Isolated RS-422/485 Communication Board.

## Optional Accessories

<b>CA-0910F</b>	9-pin Female-Female D-sub Cable 1 M
<b>DN-09-2F</b>	I/O Connector Block with DIN-Rail Mounting and two 9-pin Male Header. Includes CA-0910F x 2 (9-pin Female-Female D-sub Cable 1 M).
<b>CA-090910</b>	9-pin Female D-sub cable for RS-422 connector, 1 M
<b>CA-PC09F</b>	9-pin Female D-sub connector with plastic cover
<b>CA-0915</b>	9-pin Male-Female D-sub cable, 1.5 M



CA-0910F



DN-09-2F



CA-090910



CA-PC09F



CA-0915