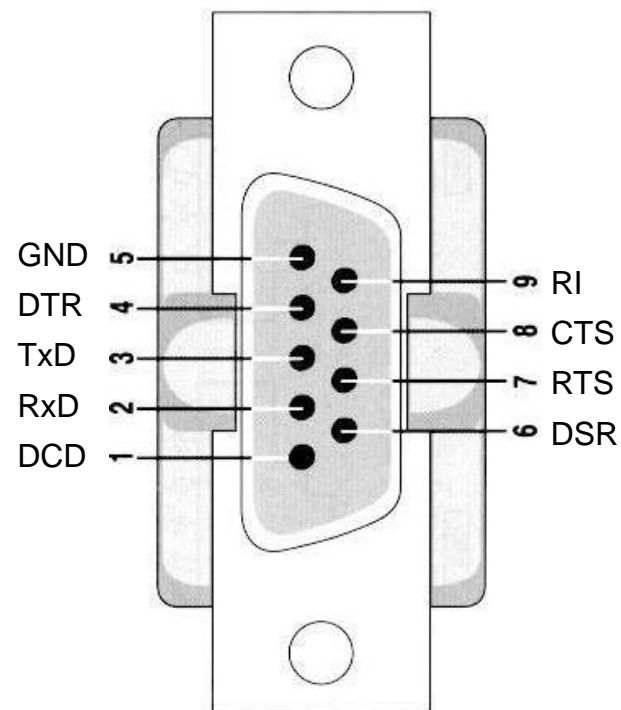


# CA-9-3715D/CA-9-3705 DB-37 to DB-9 Pin Assignment For VXC-114U/I-8114W

Pin Assignment Name	Terminal No.	Pin Assignment Name
N.C.	01	
DCD3	02	20 RI3
GND	03	21 DTR3
CTS3	04	22 DSR3
RxD3	05	23 RTS3
RI4	06	24 TxD3
DTR4	07	25 DCD4
DSR4	08	26 GND
RTS4	09	27 CTS4
TxD4	10	28 RxD4
DCD2	11	29 RI2
GND	12	30 DTR2
CTS2	13	31 DSR2
RxD2	14	32 RTS2
RI1	15	33 TxD2
DTR1	16	34 DCD1
DSR1	17	35 GND
RTS1	18	36 CTS1
TxD1	19	37 RxD1

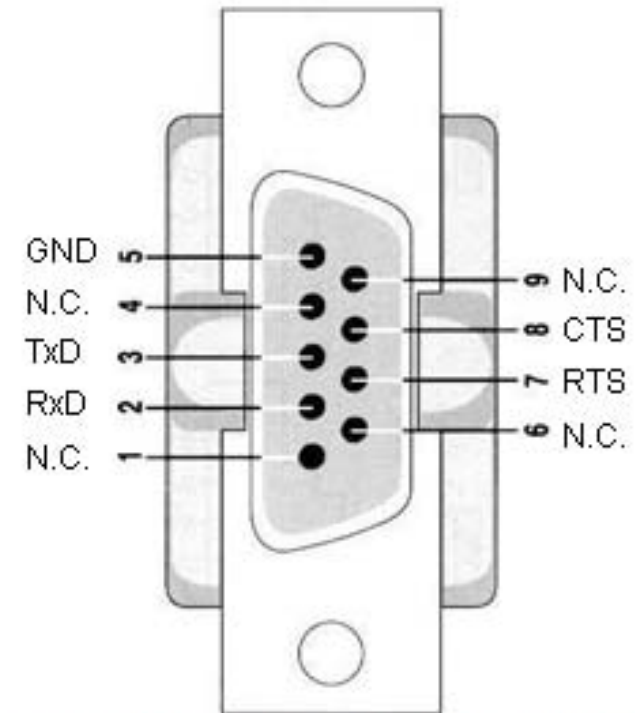


**DB-37 to Male DB-9 Connector  
( 9-Wire RS-232 )**

**37-Pin Female D-Sub Connector\_RS232**

# CA-9-3715D/CA-9-3705 DB-37 to DB-9 Pin Assignment For I-8114iW

Pin Assignment Name	Terminal No.	Pin Assignment Name	
N.C.	01		
N.C.	02		
GND3	03		
CTS3	04		
RxD3	05		
N.C.	06		
N.C.	07		
N.C.	08		
RTS4	09		
TxD4	10		
N.C.	11		
GND2	12		
CTS2	13		
RxD2	14		
N.C.	15		
N.C.	16		
N.C.	17		
RTS1	18		
TxD1	19		
		20	N.C.
		21	N.C.
		22	N.C.
		23	RTS3
		24	TxD3
		25	N.C.
		26	GND4
		27	CTS4
		28	RxD4
		29	N.C.
		30	N.C.
		31	N.C.
		32	RTS2
		33	TxD2
		34	N.C.
		35	GND1
		36	CTS1
		37	RxD1

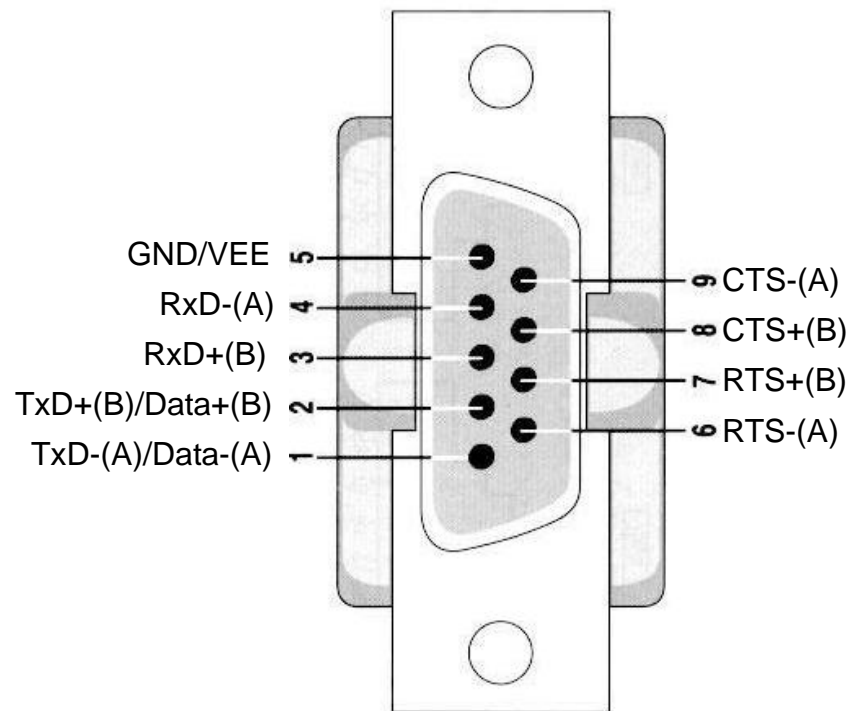


**DB-37 to Male DB-9 Connector  
( 5-Wire RS-232)**

**37-Pin Female D-Sub Connector\_RS232**

# CA-9-3715D/CA-9-3705 DB-37 to DB-9 Pin Assignment For VXC-144U/144iU

Pin Assignment Name	Terminal No.	Pin Assignment Name
N.C.	01	
TxD3- (A)/Data3-(A)	02	20 CTS3- (A)
GND/VEE3	03	21 RxD3- (A)
CTS3+ (B)	04	22 RTS3- (A)
TxD3+ (B)/Data3+(B)	05	23 RTS3+ (B)
CTS4- (A)	06	24 RxD3+ (B)
RxD4- (A)	07	25 TxD4- (A)/Data4-(A)
RTS4- (A)	08	26 GND/VEE4
RTS4+ (B)	09	27 CTS4+ (B)
RxD4+ (B)	10	28 TxD4+ (B)/Data4+(B)
TxD2- (A)/Data2-(A)	11	29 CTS2- (A)
GND/VEE2	12	30 RxD2- (A)
CTS2+ (B)	13	31 RTS2- (A)
TxD2+ (B)/Data2+(B)	14	32 RTS2+ (B)
CTS1- (A)	15	33 RxD2+ (B)
RxD1- (A)	16	34 TxD1- (A)/Data1-(A)
RTS1- (A)	17	35 GND/VEE1
RTS1+ (B)	18	36 CTS1+ (B)
RxD1+ (B)	19	37 TxD1+ (B)/Data1+(B)



**DB-37 to Male DB-9 Connector\_ RS422/485**

**37-Pin Female D-Sub Connector\_ RS422/485**

# DB-37 to DB-9 Pin Assignment

P1		P2		P3		P4		Pin Assignment Name	Terminal No.	Pin Assignment Name
1	DB-37_Pin34	1	DB-37_Pin11	1	DB-37_Pin02	1	DB-37_Pin25	P1_Pin3	19	
2	DB-37_Pin37	2	DB-37_Pin14	2	DB-37_Pin05	2	DB-37_Pin28	P1_Pin7	18	P1_Pin2
3	DB-37_Pin19	3	DB-37_Pin33	3	DB-37_Pin24	3	DB-37_Pin10	P1_Pin6	17	P1_Pin8
4	DB-37_Pin16	4	DB-37_Pin30	4	DB-37_Pin21	4	DB-37_Pin07	P1_Pin4	16	P1_Pin5
5	DB-37_Pin35	5	DB-37_Pin12	5	DB-37_Pin03	5	DB-37_Pin26	P1_Pin9	15	P1_Pin1
6	DB-37_Pin17	6	DB-37_Pin31	6	DB-37_Pin22	6	DB-37_Pin08	P2_Pin2	14	P2_Pin3
7	DB-37_Pin18	7	DB-37_Pin32	7	DB-37_Pin23	7	DB-37_Pin09	P2_Pin8	13	P2_Pin7
8	DB-37_Pin36	8	DB-37_Pin13	8	DB-37_Pin04	8	DB-37_Pin27	P2_Pin5	12	P2_Pin6
9	DB-37_Pin15	9	DB-37_Pin29	9	DB-37_Pin20	9	DB-37_Pin06	P2_Pin1	11	P2_Pin4
								P4_Pin3	10	P2_Pin9
								P4_Pin7	09	P4_Pin2
								P4_Pin6	08	P4_Pin8
								P4_Pin4	07	P4_Pin5
								P4_Pin9	06	P4_Pin1
								P3_Pin2	05	P3_Pin3
								P3_Pin8	04	P3_Pin7
								P3_Pin5	03	P3_Pin6
								P3_Pin1	02	P3_Pin4
								N.C.	01	P3_Pin9



37-Pin Male D-Sub Connector