

## XW107

8-ch Non-Isolated DI and 8-ch Non-Isolated DO Expansion Board

### Features

- 8-ch Non-Isolated Digital Input
- Source-type Digital Input
- 8-ch Non-Isolated Digital Output
- Sink-type Digital Output



### Introduction

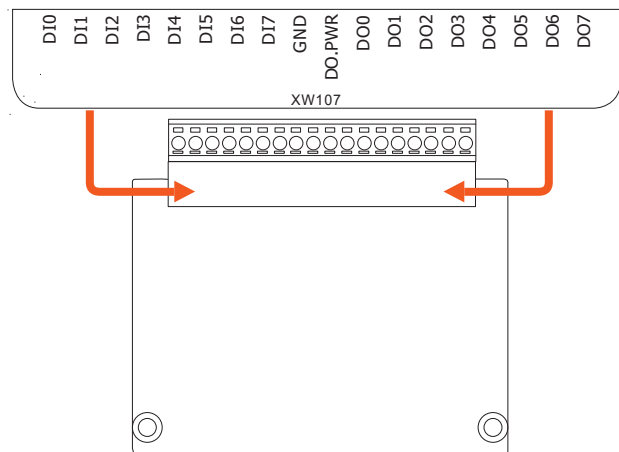
The XW-board series are for uPAC-5000, LP-51xx, and WP-51xx series. One PAC can only plug only one XW-board.

XW107 is a 8-channel Non-Isolation Digital Input and 8-channel Non-Isolation Digital Output XW-board.

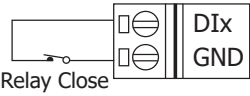
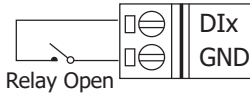
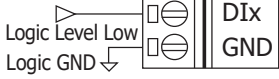
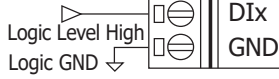
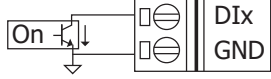
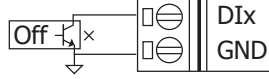
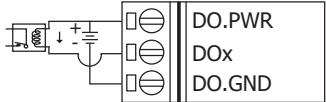
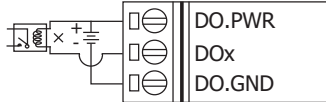
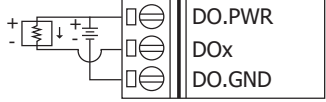
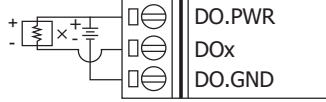
### Specifications

Digital Input	XW107	XW107i
Input Channels	8	
Contact	Dry	Wet
Sink/Source (NPN/PNP)	Source	Sink/Source (Jumper setting)
Contact	ON Voltage Level	Close to GND
	OFF Voltage Level	Open
Isolation	-	3750 VDC
Input Impedance	-	10 K Ohm
Overvoltage Protection	30 VDC	60 VDC
<b>Digital Output</b>		
Output Channels	8	
Contact	Open Collector	
Sink/Source (NPN/PNP)	Sink	
Load Voltage	+10 VDC ~ 30 VDC	+10 VDC ~ 40 VDC
Max. Load Current	100 mA/channel at 25 °C	200 mA/channel at 25 °C
Overload Protection	1.4 A	
Isolation	-	3750 VDC
<b>Power</b>		
Consumption	0.2 W	0.4 W
<b>Mechanical</b>		
Dimensions (mm)	66 mm x 82 mm x 13 mm (W x L x H)	66 mm x 82 mm x 17 mm (W x L x H)
<b>Environmental</b>		
Operating Temperature	-25 ~ +75 °C	
Storage Temperature	-30 °C ~ +75 °C	
Humidity	10 ~ 95% RH, Non-condensing	

### Pin Assignments



## Wire Connections

Input Type	DI Value as 0	DI Value as 1
Relay Contact	Relay ON 	Relay OFF 
	TTL/CMOS Logic 	Logic Level High 
Open Collector	On 	Off 
Output Type	DO Command as 1	DO Command as 0
Drive Relay		
Resistance Load		

## Ordering Information

<b>XW107 CR</b>	8-ch Non-Isolated DI (Dry) and 8-ch Non-Isolated DO (Sink, NPN, 10 ~ 30 VDC) Expansion Board (RoHS)
-----------------	---