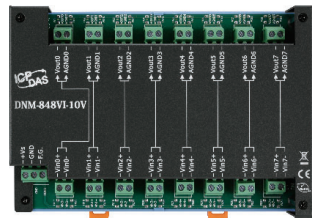




**DNM-843VI-600V**  
**DNM-843VI-800V**

3-channel Voltage Attenuator with channel to channel isolation



**DNM-848VI-10V**  
**DNM-848VI-80V**  
**DNM-848VI-150V**

8-channel Voltage Attenuator with channel to channel isolation

### Features

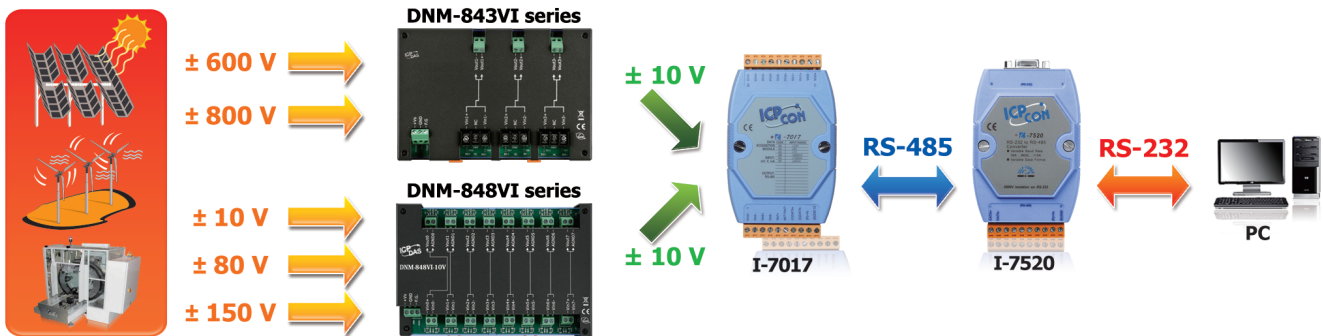
- AC/DC Source Input
- High Voltage Input Measurement
- Linear Attenuation Ratio
- High Input Impedance
- Channel to Channel Isolation
- 4 kV ESD Protection
- 3 kV Surge Protection
- Easily Wire Connection



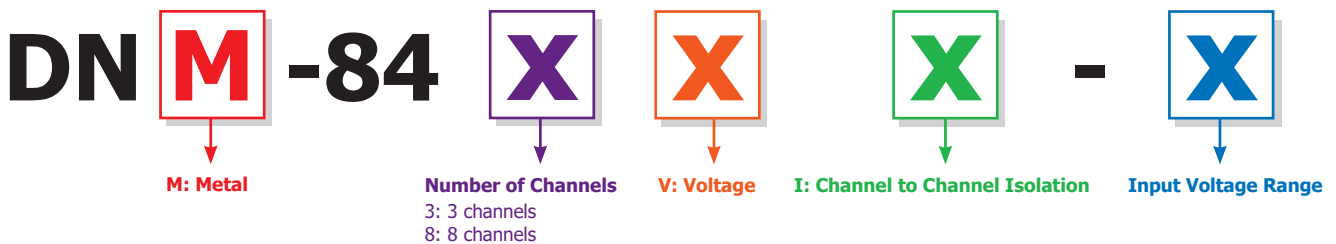
### Introduction

The DNM-843VI series and DNM-848VI series are voltage input attenuator. The maximum input range is from  $\pm 10$  Vpp to  $\pm 800$  Vpp can be attenuated to  $\pm 10$  Vpp. provide 3000 VDC intra-modules isolation and 3000 VDC channel to channel isolation to avoid the noise interference from inputs to outputs or channel to channel. It can be used with the analog input modules such as I-7017, I-87017, M-7017RMS and I-87017W-RMS etc. to measure the high voltage.

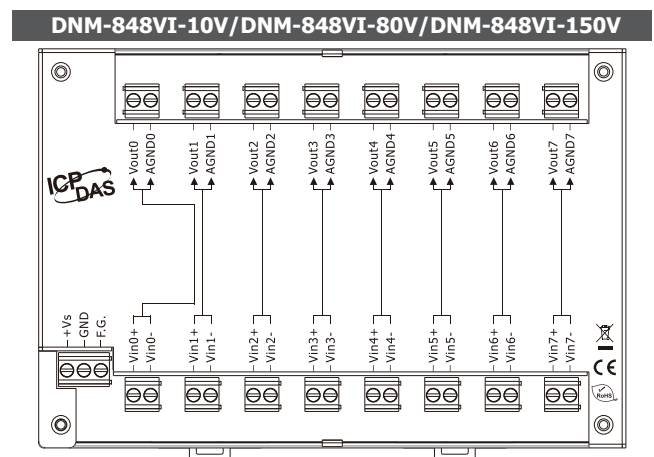
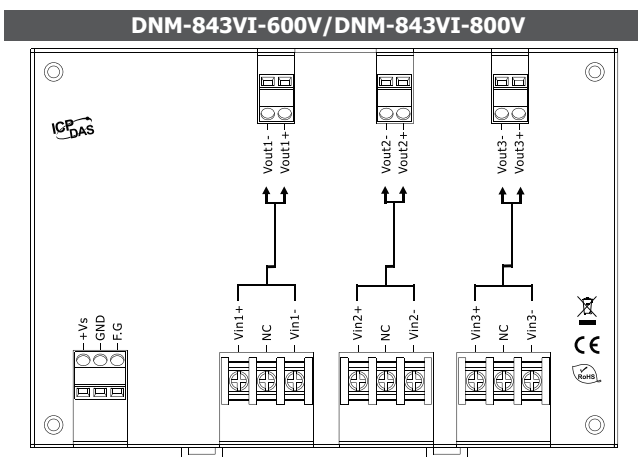
### Applications



### Selection Guide



### Appearance

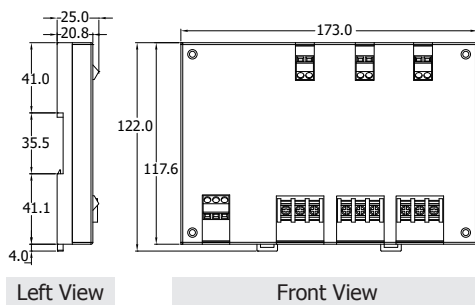


## Specifications

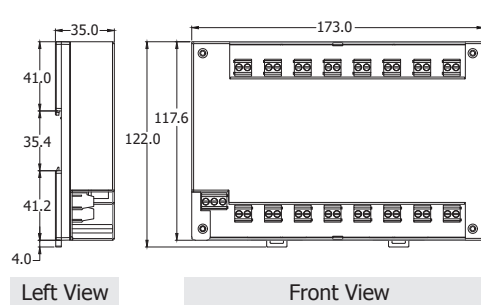
Models	DNM-843VI-600V	DNM-843VI-800V	DNM-848VI-10V	DNM-848VI-80V	DNM-843VI-150V
<b>EMS Protection</b>					
ESD (IEC 61000-4-2)	±4 kV contact for power line, input and output channels, ±8 kV air for random point				
Surge (IEC 61000-4-5)	±3 kV for power liner				
<b>Analog Input</b>					
Channels	3			8	
Type	AC/DC Voltage				
Range	±600 Vpp	±800 Vpp	±10 Vpp	±80 Vpp	±150 Vpp
Accuracy	1% of FSR				
Bandwidth	30 KHz				
Input Impedance	>1 MΩ				
Channel-to-Channel Isolation	3000 VDC				
Intra-module Isolation	3000 VDC				
<b>Analog Output</b>					
Channels	3			8	
Type	AC/DC Voltage				
Range	±10 Vpp				
<b>Power Input</b>					
Input Range	+10 ~ +30 VDC				
Power Consumption	0.56 W			9.2 W	
<b>Mechanical</b>					
Casing	Metal				
Dimensions (W x L x D)	173 mm x 122 mm x 25 mm			173 mm x 122 mm x 35 mm	
Installation	DIN-Rail Mounting				
<b>Environment</b>					
Operating Temperature	-25 ~ +75 °C				
Storage Temperature	-30 ~ +75 °C				
Humidity	10 ~ 90% RH, Non-condensing				

## Dimensions (Units: mm)

DNM-843VI-600V/DNM-843VI-800V






DNM-848VI-10V/DNM-848VI-80V/DNM-848VI-150V



## Ordering Information

<b>DNM-843VI-600V CR</b>	3-channel ±600 Vpp Voltage Attenuator with channel to channel isolation (Metal) (RoHS)
<b>DNM-843VI-800V CR</b>	3-channel ±800 Vpp Voltage Attenuator with channel to channel isolation (Metal) (RoHS)
<b>DNM-848VI-10V CR</b>	8-channel ±10 Vpp Voltage Attenuator with channel to channel isolation (Metal) (RoHS)
<b>DNM-848VI-80V CR</b>	8-channel ±80 Vpp Voltage Attenuator with channel to channel isolation (Metal) (RoHS)
<b>DNM-843VI-150V CR</b>	8-channel ±150 Vpp Voltage Attenuator with channel to channel isolation (Metal) (RoHS)

## Accessories

 MDR-20-24 CR	24 V/1 A, 24 W Power Supply with DIN-Rail Mounting (RoHS)
 I-7017-G CR	8-channel Analog Input Module with DCON Protocol (Gray Cover) (RoHS)
 I-87017-G CR	8-channel Analog Input Module (RoHS)