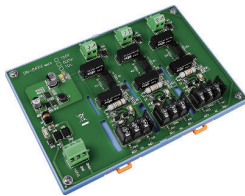


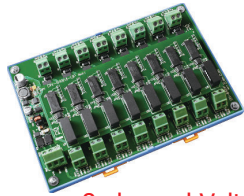
DN-843V-600V

3-channel Voltage Attenuator



DN-843VI-600V

3-channel Voltage Attenuator with channel to channel isolation



DN-848VI-10V DN-848VI-80V DN-848VI-150V

8-channel Voltage Attenuator with channel to channel isolation

Features

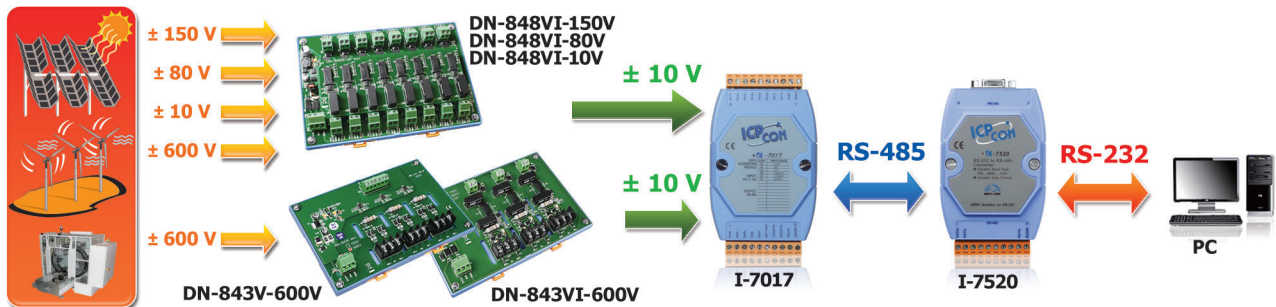
- AC/DC Source Input
- High Voltage Input Measurement
- Linear Attenuation Ratio
- High Input Impedance
- Channel to Channel Isolation for DN-848VI-10V, DN-848VI-80V and DN-848VI-150V
- Easily Wire Connection



Introduction

The DN-843V/DN-843VI series and DN-848VI series are voltage input attenuator. The maximum input range is from ± 10 Vpp to ± 800 Vpp and can be attenuated to ± 10 Vpp. The "I" version provide 3000 VDC intra-modules isolation and 3000 VDC channel to channel isolation to avoid the noise interference from inputs to outputs or channel to channel. It can be used with the analog input modules such as I-7017 and I-7520 etc. to measure the high voltage.

Applications



Selection Guide

DN-84



Number of Channels
3: 3 channels
8: 8 channels



V: Voltage



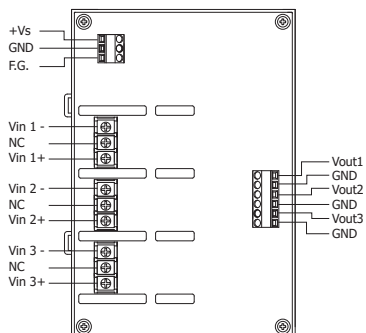
I: Channel to channel Isolation



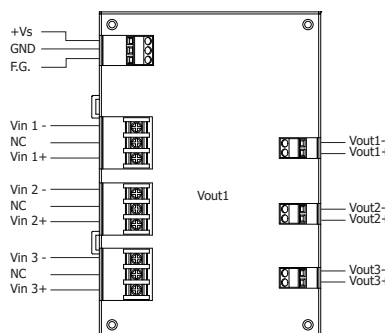
Input Voltage Range

Appearance

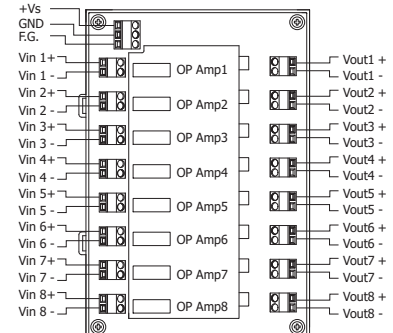
DN-843V-600V



DN-843VI-600V



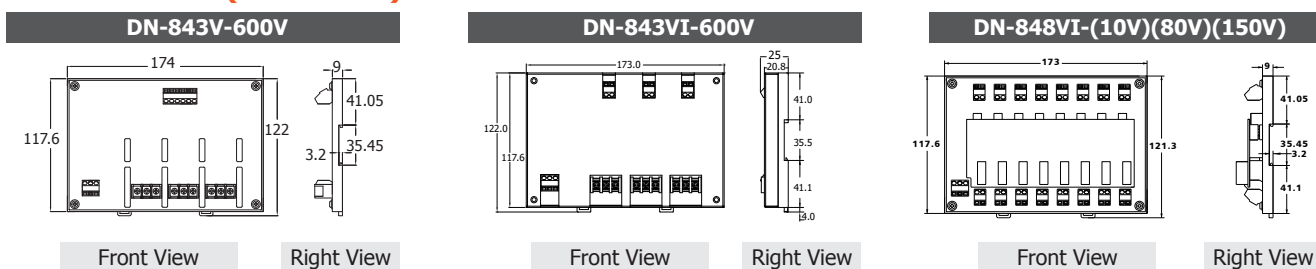
DN-848VI-(10V)(80V)(150V)



Specifications

Models	DN-843V-600V	DN-843VI-600V	DN-848VI-10V	DN-848VI-80V	DN-848VI-150V
EMS Protection					
ESD (IEC 61000-4-2)	±4 kV contact for power line, input and output channels, ±8 kV air for random point				
Surge (IEC 61000-4-5)	±3 kV for power liner				
Analog Input					
Channels	3		8		
Type	AC/DC Voltage				
Range	±600 Vpp		±10 Vpp	±80 Vpp	±150 Vpp
Accuracy	1% of FSR				
Bandwidth	100 KHz		30 KHz		
Input Impedance	>1 MΩ				
Channel-to-Channel Isolation	-	3000 VDC			
Intra-module Isolation	-	3000 VDC			
Analog Output					
Channels	3		8		
Type	AC/DC Voltage				
Range	±10 Vpp				
Power Input					
Input Range	+10 ~ +30 VDC				
Power Consumption	0.56 W	3.84 W	9.2 W		
Mechanical					
Casing	Plastic				
Dimensions (W x L x D)	174 mm x 122 mm x 25 mm		174 mm x 122 mm x 33 mm		
Installation	DIN-Rail Mounting				
Environment					
Operating Temperature	-25 ~ +75 °C				
Storage Temperature	-30 ~ +75 °C				
Humidity	10 ~ 90% RH, Non-condensing				




Dimensions (Units: mm)



Ordering Information

DN-843V-600V CR	3-channel ±600 Vpp Voltage Attenuator with non-isolation (RoHS)
DN-843VI-600V CR	3-channel ±600 Vpp Voltage Attenuator with channel to channel isolation (RoHS)
DN-848VI-10V CR	8-channel ±10 Vpp Voltage Attenuator with channel to channel isolation (RoHS)
DN-848VI-80V CR	8-channel ±80 Vpp Voltage Attenuator with channel to channel isolation (RoHS)
DN-848VI-150V CR	8-channel ±150 Vpp Voltage Attenuator with channel to channel isolation (RoHS)

Accessories

 MDR-20-24 CR	24 V/1 A, 24 W Power Supply with DIN-Rail Mounting (RoHS)
 I-7017-G CR	8-channel Analog Input Module with DCON Protocol (Gray Cover) (RoHS)
 I-87017-G CR	8-channel Analog Input Module (RoHS)