



TP-5120

12.1" 800 x 600 Resistive Touch Panel with RS-232 or USB, (w/o) Power Supply

Features

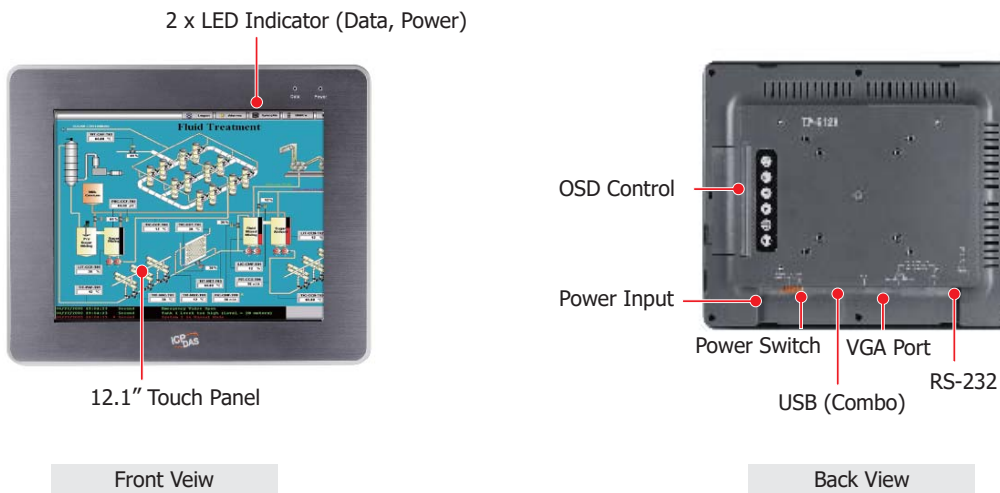
- 12.1" LCD Supports 800 x 600 Resolution
- Resistive Touch Panel
- Full-function OSD Control
- Driver Support: Windows /Windows IoT/WES/WinCE/Linux
- LED Backlight Technology
- IP65 Compliant Front Panel
- Wide Operating Temperature: -20 ~ +70°C



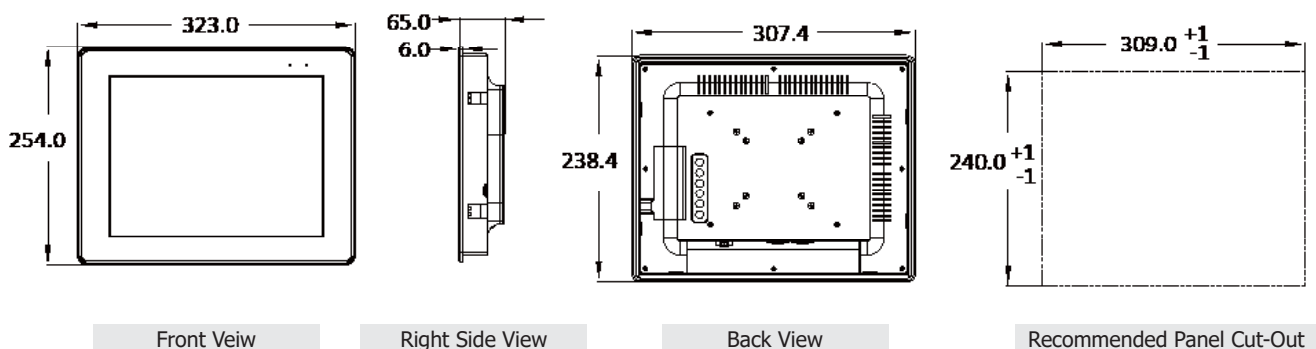
Introduction

The TP-5120 Panel Mount Monitor adopts a standard 12.1" TFT LCD screen with rugged aluminum front bezel and supports 800 x 600 resolution, and -20 ~ +70°C operating temperature. The TP-5120 is also guaranteed to work with ICP DAS PAC control system, such as WP-5000 series, LX-8000 series and XP-9000 series.

Appearance



Dimensions (Units: mm)



Specifications

Models	TP-5120
Software	
OS Support	Windows 10/11/ 8/7/ XP (32/64-bit), Windows 10 IoT Enterprise, Windows Embedded Standard 7 Windows Embedded Compact (WinCE 5.0/6.0/7.0), Linux (32/64-bit)
Display	
Size	12.1"
Resolution	800 x 600
Brightness	400 cd/m2
Backlight Life	50,000 hours
Touch Panel	5-wire, analog resistive; light transmission: 80%
Contrast Ratio	500 : 1
HMI	
LED Indicator	1 x Power, 1 x Display
OSD Control	Functions: Brightness, Contrast, Clock, Phase, Horizontal Position, Vertical Position and Sharpness
Power Switch	Yes
Communication Ports	
USB Port	1 (RS-232 and USB cannot be used simultaneously)
COM Port	1 x RS-232 (Combo, RS-232 and USB cannot be used simultaneously)
Mechanical	
Casing	Plastic
Dimensions (W x L x H)	323 mm x 254 mm x 65 mm
Panel Cut-Out (W x H)	309 mm x 240 mm, +/- 1 mm
Weight	1980 g
Installation	Panel Mounting, VESA Mounting (75 mm x 75 mm, 100 mm x 100 mm)
Ingress Protection	Front Panel: IP65
Environmental	
Operating Temperature	-20 ~ +70 °C
Storage Temperature	-30 ~ +80 °C
Humidity	10 ~ 90 % RH, Non-condensing
Power	
Input Range	+12 ~ 48 VDC
Consumption	13.0 W

Ordering Information

TP-5120 CR	12.1" 800 x 600 Resistive Touch Panel with RS-232 or USB, and Power Supply (RoHS)
TP-5120/NP CR	12.1" 800 x 600 Resistive Touch Panel with RS-232 or USB, w/o Power Supply (RoHS)