



## WP-5141/WP-5141-OD

Standard WP-5000 with PXA270 CPU, WinCE 5.0, and 1 I/O Bus

### Features

- Windows CE 5.0
- PXA270, 520 MHz CPU
- 128 MB SDRAM and 96 MB Flash
- 16 KB EEPROM for data retention
- Hard Real-Time Capability (RTC)
- 64-bit Hardware Serial Number
- Rich I/O Expansion Ability (RS-232/RS-485, FRnet,CAN)
- I/O Expansion Bus Interface
- Operating Temperature: -25 ~ +75 °C



### Introduction

The WP-5000 series has many advantages, including hard real-time capability, small core size, fast boot speed, interrupt handling at a deeper level, achievable deterministic control and low cost. Using Windows CE.NET 5.0 gives it the ability to run PC-based control software such as Visual Basic.NET, Visual C#, Embedded Visual C++, SCADA software, SoftPLC ...etc. It give users all of the best features of both traditional PLCs and Windows capable PCs.

For hardware expansion, it also supports an I/O expansion bus. The I/O expansion bus can be used to implement various I/O functions such as D/I, D/O,A/ D, D/A, Timer/Counter, UART, and other I/O functions. Nearly all kinds of I/O functions can be implemented by this bus. But the bus can support only one board. There are more than 10 boards available for WinPAC-5000 series, users can choose one of them to expand hardware features.

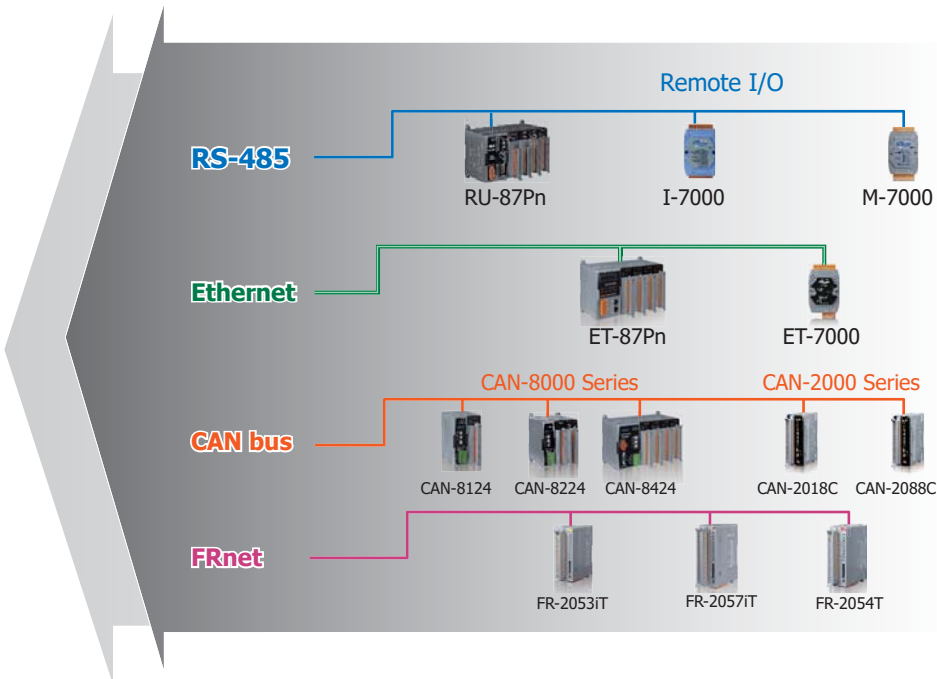
### Windows CE 5.0



Windows CE5 is a compact and real-time OS used to quickly create time critical and high performance applications. Using Windows CE 5 gives an ability to run PC-based control software such as Visual Basic .NET, Virtual C#, SCADA software, SoftPLC... etc.

- FTP Server
- Web Server
- SQL Compact Edition 3.5
- .NET Compact Framework 3.5
- Virtual CE Pro (VCEP)

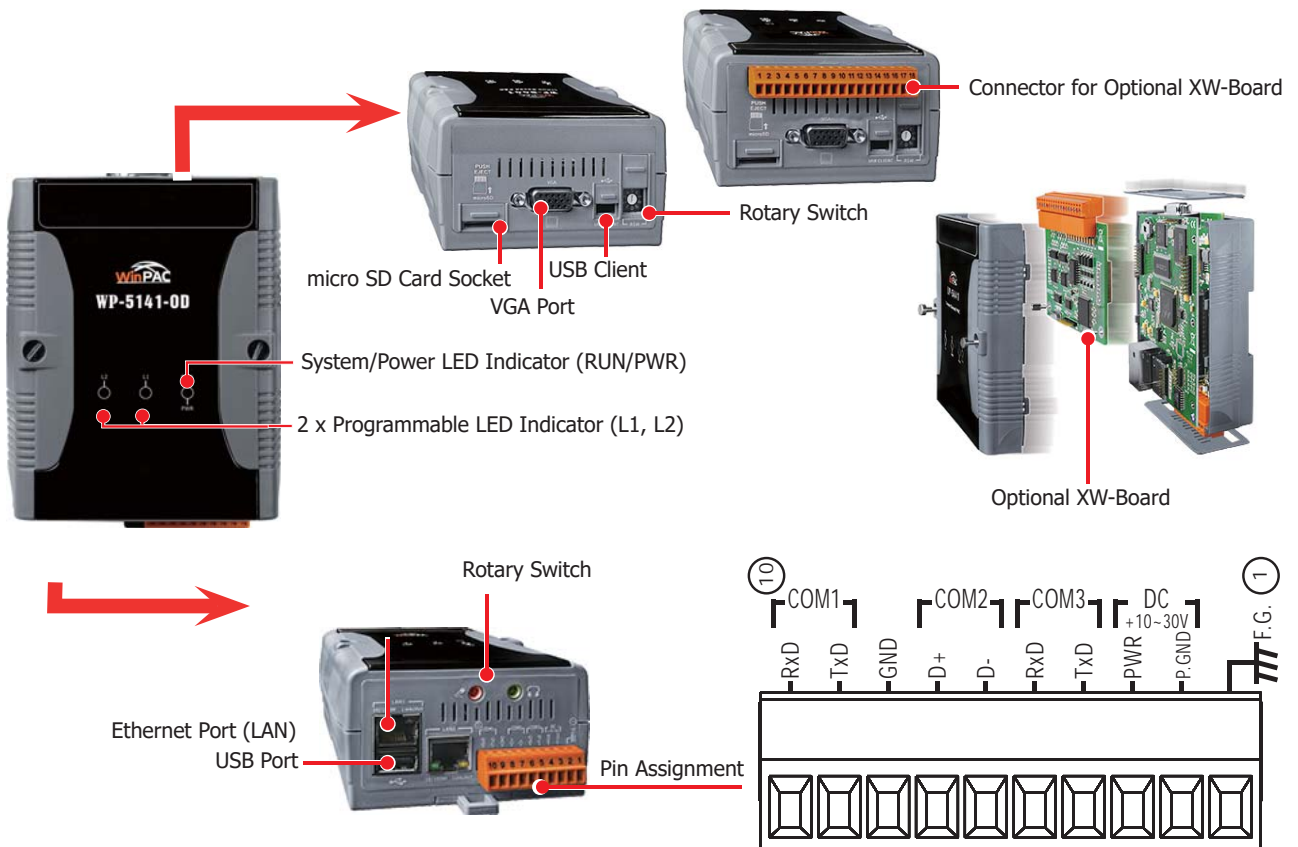
### Applications



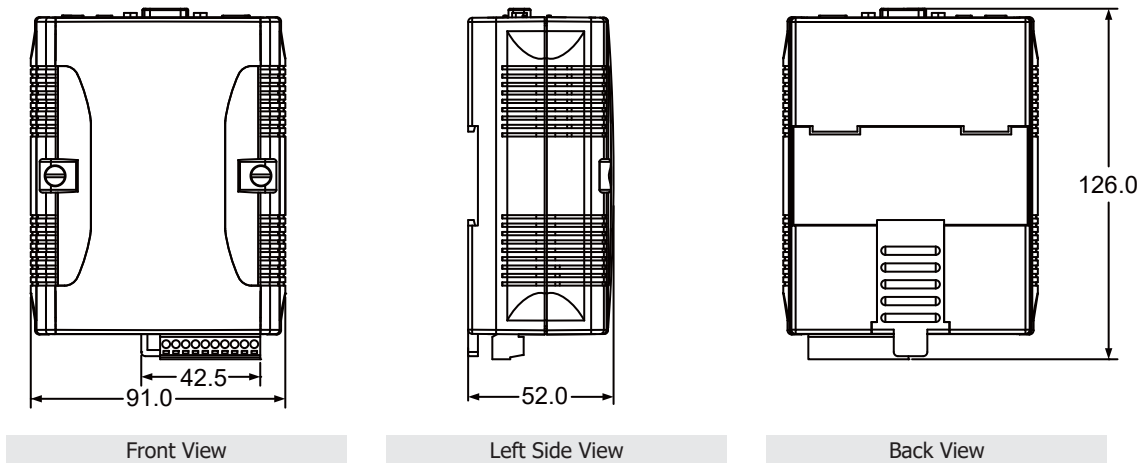
## Specifications

Model	WP-5141	WP-5141-OD
<b>System Software</b>		
OS	Windows CE 5.0	
Framework Support	.Net Compact Framework 3.5	
Service	FTP server, Web server (supports VB script, JAVA script), Embedded SQL server	
SDK	DII for eVC, DII for Visual Studio.Net 2003/2005/2008	
Multilanguage Support	English, German, French, Spanish, Russian, Italian, Korean, Simplified Chinese, Traditional Chinese	
<b>CPU Module</b>		
CPU	PXA270 or compatible, 32-bit, 520 MHz	
SDRAM	128 MB	
Flash	64 MB	
EEPROM	16 KB	
Storage	4 GB microSD card (up to 32 GB)	
RTC (Real Time Clock)	Provide seconds, minutes, hours, dates, day of week, month, year	
64-bit Hardware Serial Number	Yes, for software copy protection	
Watchdog Timer	Dual Watchdog Timer	
Rotary Switch	1 x 10 Position (0 ~ 9)	
Buzzer	Yes	
Audio	-	Microphone-In and Earphone-Out
<b>Display</b>		
VGA Resolution	640 × 480, 800 × 480, 800 × 600	
LED Indicators	1 x System/Power, 2 x Programmable	
<b>Communication Ports</b>		
Ethernet	2 x RJ-45, 10/100 Base-TX (Auto-negotiating, Auto MDI/MDI-X, LED indicators)	
USB	1 x USB 1.1 (host), 1 x USB 1.1 (client)	
COM 1	RS-232 (RxD, TxD and GND); Non-isolated	
COM 2	RS-485 (Data+, Data-); 2500 VDC isolated	
COM 3	RS-232 (RxD, TxD and GND); Non-isolated	
<b>I/O Expansion</b>		
I/O Expansion Bus	One optional XW-board	
<b>Mechanical</b>		
Dimensions (W x L x H)	91 mm x 126 mm x 52 mm	
Ingress Protection Rating	IP30 (Aluminum)	
Installation	DIN-Rail Mounting	
<b>Environmental</b>		
Operating Temperature	-25 ~ +75 °C	
Storage Temperature	-30 ~ +80 °C	
Humidity	10 ~ 90 % RH, Non-condensing	
<b>Power</b>		
Input Range	+10 ~ 30 VDC (1 kV Isolated )	
Consumption	4.8 W (0.2 A @ 24 VDC)	

## Appearances



## Dimensions (Units: mm)



## Ordering Information

<b>WP-5141-EN CR</b>	Standard WP-5000 with PXA270 CPU, WinCE 5.0 OS, and 1 I/O Bus (RoHS) (Multilanguage Version)
<b>WP-5141-TC CR</b>	Standard WP-5000 with PXA270 CPU, WinCE 5.0 OS, and 1 I/O Bus (RoHS) (Traditional Chinese Version)
<b>WP-5141-SC CR</b>	Standard WP-5000 with PXA270 CPU, WinCE 5.0 OS, and 1 I/O Bus (RoHS) (Simplified Chinese Version)
<b>WP-5141-OD-EN CR</b>	Standard WP-5000 with PXA270 CPU, WinCE 5.0 OS, 1 I/O Bus, and Audio (RoHS) (Multilanguage Version)
<b>WP-5141-OD-TC CR</b>	Standard WP-5000 with PXA270 CPU, WinCE 5.0 OS, 1 I/O Bus, and Audio (RoHS) (Traditional Chinese)
<b>WP-5141-OD-SC CR</b>	Standard WP-5000 with PXA270 CPU, WinCE 5.0 OS, 1 I/O Bus, and Audio (RoHS) (Simplified Chinese Version)