



I-8411/I-8811

4/8-slot Serial Embedded Controller with 80188-40 CPU and MiniOS7

Features

- 80188 or compatible (8-bit and 40 MHz)
- MiniOS7 Embedded Operating System (DOS-like)
- 64-bit Hardware Serial Number for Software Protection
- Built-in Watchdog Timer
- Serial Port x 4 (RS-232 or RS-485 communication Interface)
- Input Protection Circuitry
- Operating Temperature: -25 ~ +75 °C



Introduction

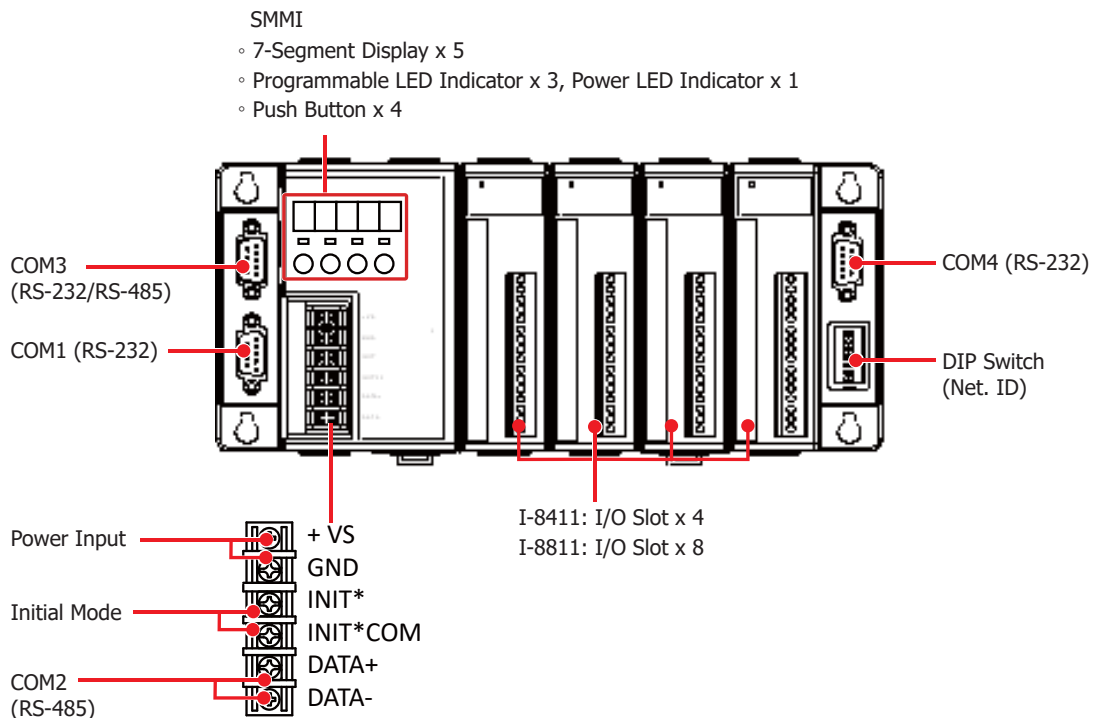
The I-8411/I-8811 is a serial embedded controller with 4/8 I/O slots. Both are equipped with MiniOS7, an embedded OS similar to DOS that is developed by ICPDAS Co., LTD.

The MiniOS7 can boot up in a very short time (0.4 ~ 0.8 second). It has built-in hardware diagnostic function, and supports the full functions to access all 8K and 87K series I/O modules, such as DI, DO, DIO, AI, AO, Counter/Frequency, motion modules etc.

The I-8411/I-8811 backplane is equipped 4 serial COM Port, they include RS-232 and RS-485 ports and can be used in remote data acquisition and control applications, including environment monitoring, power management and factory automation.

By using S-256 (256 KBytes) or S-512 (512 KBytes) battery backup SRAM, they provide data logger storage function.

Apparances

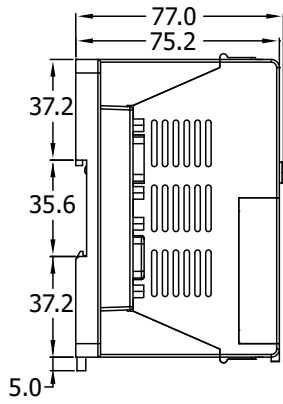


Specifications

Models	I-8411	I-8811
Software		
OS	MiniOS7	
Development	C Language	
CPU Module		
CPU	80188 or compatible, 8-bit and 40 MHz	
SRAM	512 KB	
Flash	512 KB	
EEPROM	2 KB	
NVRAM	31 bytes (battery backup, data valid up to 5 years)	
RTC (Real Time Clock)	Provide second, minute, hour, date, day of week, month, year	
64-bit Hardware Serial Number	Yes	
Watchdog Timer	Yes	
DIP Switch	8-bit for address	
Communicate Interface		
COM0	Internal communication with the 87K modules	
COM1	RS-232 (RxD, TxD, GND; to update firmware)	
COM2	RS-485 (Data+, Data-)	
COM3	RS-232/RS-485 (RS-232: RxD, TxD, CTS, RTS, GND; RS-485: Data+, Data)	
COM4	RS-232 (RxD, TxD, CTS, RTS, DSR, DTR, CD, RI, GND)	
SMMI		
7-Segment Display	5	
LED Indicator	1 x Power, 3 x Programmable	
Push Button	4	
I/O Expansion		
I/O Type	I-8K, I-87K series	
Slots	4	8
Mechanical		
Dimension (W x L x H)	231 mm x 118 mm x 77 mm	355 mm x 118 mm x 77 mm
Installation	DIN-Rail, Wall mounting	
Environmental		
Operating Temperature	-25 ~ +75 °C	
Storage Temperature	-30 ~ +85 °C	
Humidity	5 ~ 95 % RH, Non-condensing	
Power		
Protection	Power reverse polarity protection	
Input Range	+10 ~ 30 VDC	
Power Supply	20 W	
Consumption	3.9 W	5.1 W

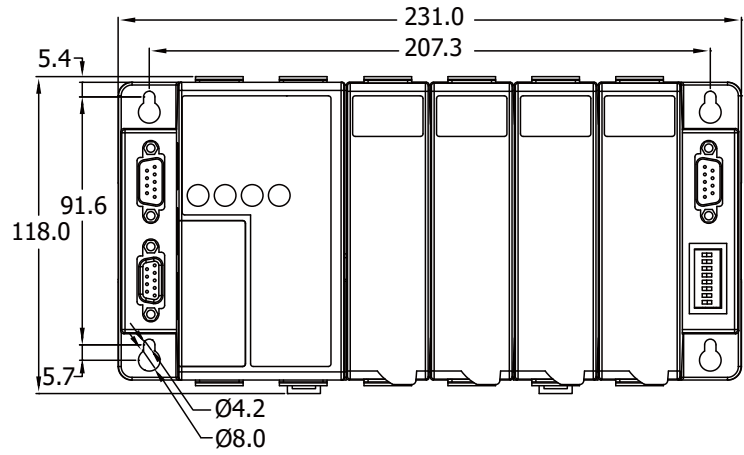
■ Dimensions (Units: mm)

I-8411/I-8811



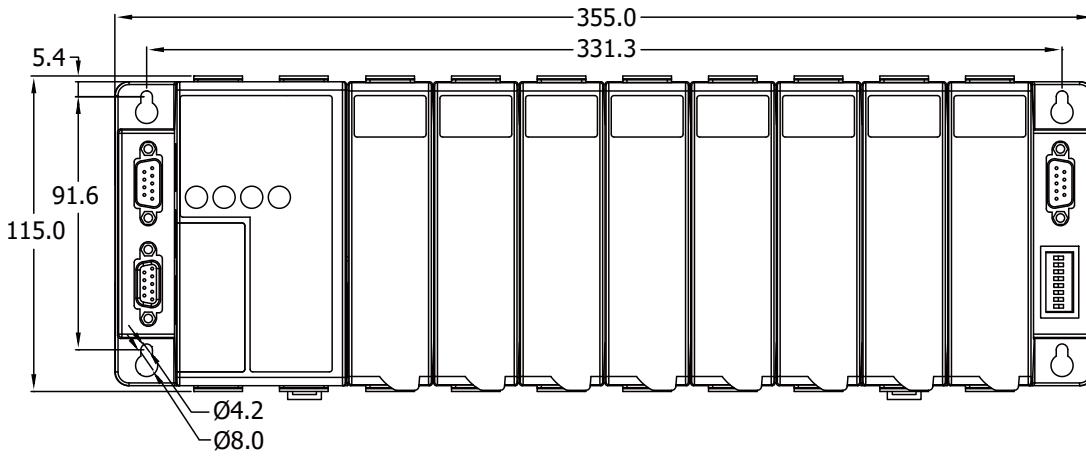
Left Side View

I-8411



Front View

I-8811



Front View

■ Ordering Information

I-8411 CR	4-slot Serial Embedded Controller with 80188-40 CPU and MiniOS7 (Blue Cover) (RoHS)
I-8811 CR	8-slot Serial Embedded Controller with 80188-40 CPU and MiniOS7 (Blue Cover) (RoHS)
I-8411-G CR	4-slot Serial Embedded Controller with 80188-40 CPU and MiniOS7 (Gray Cover) (RoHS)
I-8811-G CR	8-slot Serial Embedded Controller with 80188-40 CPU and MiniOS7 (Gray Cover) (RoHS)