



tM-AD8C

8-channel Isolated Current Input Module

Features

- 8-channel Single-ended Inputs
- Current Inputs
- Adjustable Sampling Rate
- Dual Watchdog



Introduction

The tM-AD8C is a current input module that includes 8 single-ended analog input channels and provides a programmable input range on all analog inputs (0 ~ 20 mA, 4 ~ 20 mA). The sampling rate of the tM-AD8C is adjustable and is available in either fast or normal mode. It also provides 4 kV ESD protection as well as 2500 Vrms intra-module isolation.

System Specifications

CPU Module	
Watchdog Timer	Module, Communication (Programmable)
Isolation	
Intra-module Isolation	2500 VDC
EMS Protection	
EFT (IEC 61000-4-4)	±4 kV for Power
ESD (IEC 61000-4-2)	±4 kV Contact for Each Terminal ±8 kV Air for Random Point
LED Indicators	
Status	1 x Power and Communication
COM Ports	
Ports	1 x RS-485
Baud Rate	1200 ~ 115200 bps
Data Format	(N, 8, 1), (N, 8, 2), (O, 8, 1), (E, 8, 1)
Protocol	DCON, Modbus RTU, Modbus ASCII
Power	
Reverse Polarity Protection	Yes
Consumption	0.7 W Max.
Powered from Terminal Block	10 ~ 30 VDC
Mechanical	
Dimensions (mm)	52 x 98 x 27 (W x L x H)
Installation	DIN-Rail Mounting
Environmental	
Operating Temperature	-25 ~ +75 °C
Storage Temperature	-30 ~ +75 °C
Humidity	10 ~ 95% RH, Non-condensing

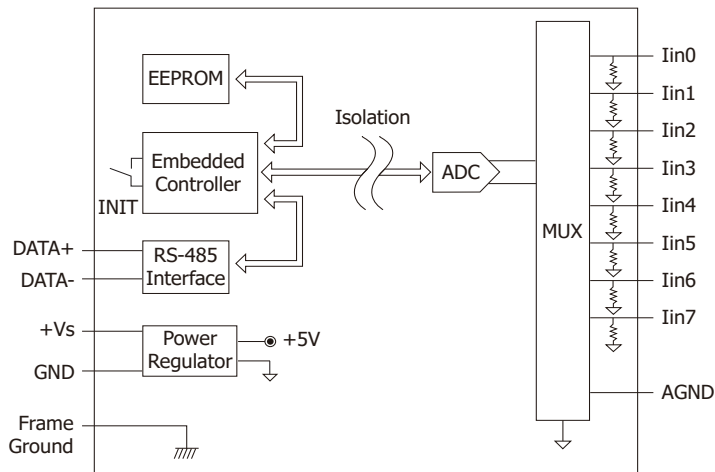
Applications

- Industrial Automation
- Industrial Machinery
- Building Automation
- Food and Beverage Systems
- Semiconductor Fabrication
- Control Systems

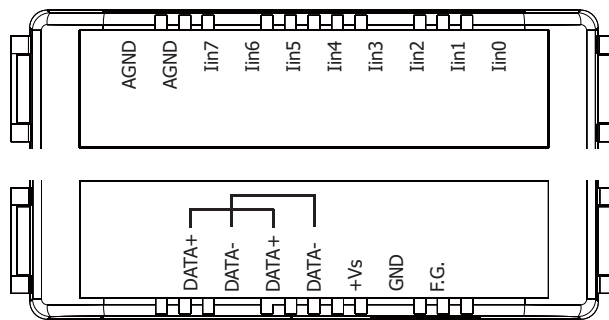
I/O Specifications

Analog Input		
Channels	8 Single-ended	
Type	Current	
Range	0 ~ 20 mA, 4 ~ 20 mA	
Resolution	Normal Mode	14-bit
	Fast Mode	12-bit
Accuracy	Normal Mode	±0.1%
	Fast Mode	±0.5%
Sampling Rate	Normal Mode	10 Hz
	Fast Mode	200 Hz
Input Impedance	125 Ω	
Individual Channel Configuration	-	

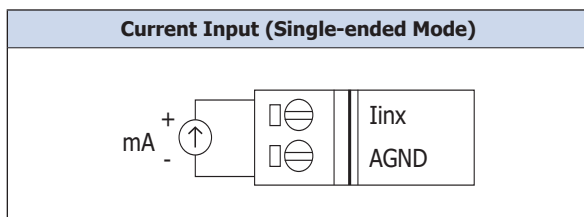
Internal I/O Structure



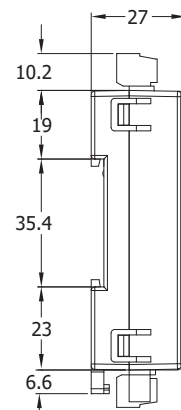
Pin Assignments



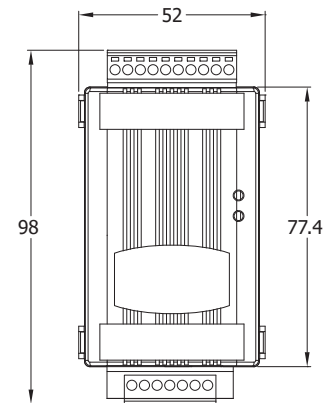
Wire Connections



Dimensions (Units: mm)



Left Side View



Front View

Ordering Information

tM-AD8C CR	8-channel Isolation Current Input Module (RoHS)
-------------------	---