



I-7063B

8-ch Isolated (Wet, 4~30 VDC) DI and 3-ch DC-SSR Output Module



I-7063BD



I-7065B(D)

M-7065B(D)

4-ch Isolated (Wet, 4~30 VDC) DI and 5-ch DC-SSR Output Module

■ Features

- I-7063B(D)
 - 8 Digital Inputs and 3 DC SSR Outputs
- I-7065B(D) and M-7065B(D)
 - 4 Digital Inputs and 5 DC SSR Outputs
- Sink- or Source-type Digital Input
- Form A DC Solid State Relay Output
- No Arcing, No Bounce, and No Switching Noise
- Digital Input Channels can be used as 16-bit Counters
- Configurable Power-on Value and Safe Value Settings
- Built-in Dual Watchdog



■ Introduction

The I-7063B module provides 8 digital inputs and 3 DC SSR outputs, and the I-7065B provides 4 digital inputs and 5 DC SSR outputs. All digital input channels can be used as 16-bit counters. In addition, the DI channels can be selected either as sink- or source-type via wire connections. In comparison to electromechanical relays, SSR technology provides a faster response time and greater electrical endurance. The integration of DC SSR technology also eliminates potential for arcing, bounce, and switching noise. The I-7063BD provides 11 LED indicators and the 7065BD provides 9 LED indicators that can be used to monitor the status of the digital input and SSR output. There are also options for configuring power-on and safe values. 4 kV ESD protection and 3750 Vdc intra-module isolation are also provided to enhance noise protection capabilities in industrial environments. The available protocols can be configured using software.

■ System Specifications

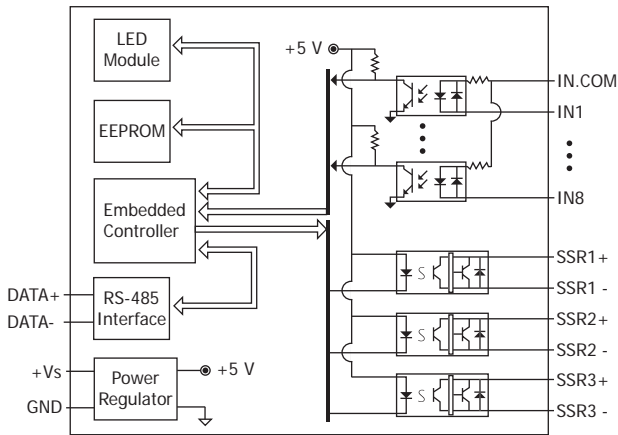
Model	I-7063B	I-7065B	M-7065B
	I-7063BD	I-7065BD	M-7065BD
CPU Module			
Watchdog Timer	Module, Communication (Programmable)		
Display			
Type	7063BD/65BD: I/O LED Indicator		
Isolation			
Intra-module Isolation	3750 VDC		
EMS Protection			
EFT (IEC 61000-4-4)	±2 kV for Power Line		
ESD (IEC 61000-4-2)	±4 kV Contact for Each Terminal ±8 kV Air for Random Point		
LED Indicators			
Status	1 x Power and Communication		
	7063BD/65BD: DI/Relay Output		
	11	9	
COM Ports			
Ports	1 x RS-485		
Baud Rate	1200 ~ 115200 bps		
Data Format	(N, 8, 1), (N, 8, 2), (E, 8, 1), (O, 8, 1)		
Protocol	I-7000: DCON M-7000: Modbus RTU, DCON		
Power			
Reverse Polarity Protection	Yes		
Input Range	+10 ~ +30 VDC		
Consumption	0.5 W	0.6 W	
	1.0 W		
Mechanical			
Dimensions (mm)	72 x 123 x 35 (W x L x H)		
Installation	DIN-Rail Mounting		

■ I/O Specifications

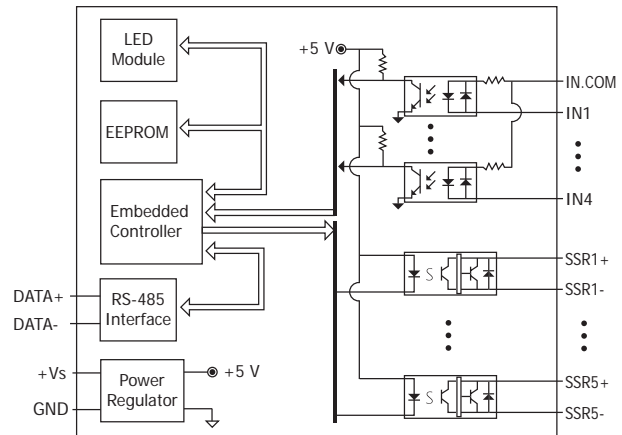
Model	I-7063B(D)	I-7065B(D) M-7065B(D)
	Digital Input/Counter	
Channels	8	4
Type	Wet Contact	
Sink/Source (NPN/PNP)	Sink/Source	
ON Voltage Level	+1 VDC Max.	
OFF Voltage Level	+4 ~ +30 VDC	
Max. Counts	65535 (16-bit)	
Frequency	100 Hz	
Min. Pulse Width	5 ms	
Input Impedance	3 kΩ	
Overvoltage Protection	±35 VDC	
Relay Output		
Channels	3 (Form A)	5 (Form A)
Type	DC-SSR	
Contact Rating	3 ~ 30 VDC @ 1A	
Leakage Current	0.1 mA	
Operate Time	1 ms	
Release Time	1 ms	
Electrical Endurance	Long Life, No Arcing, No Bounce, No Switching Noise	
Power on Value	Programmable	
Safe Value	Programmable	
Environment		
Operating Temperature	-25 ~ +75°C	
Storage Temperature	-40 ~ +85°C	
Humidity	10 ~ 95% RH, Non-condensing	

Internal I/O Structure

I-7063B(D)

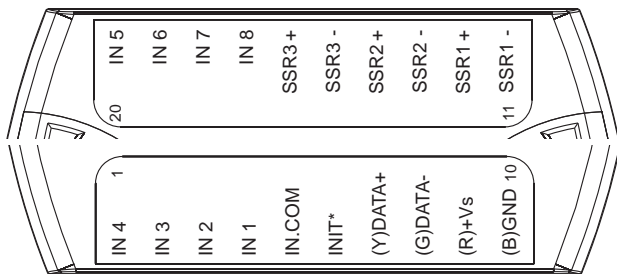


I-7065B(D)/M-7065B(D)

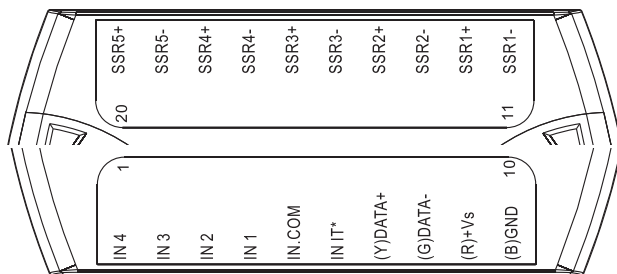


Pin Assignments

I-7063B(D)



I-7065B(D)/M-7065B(D)



Wire Connections

DI/Counter	ON State Readback as 1	OFF State Readback as 0
Sink	OPEN or <1 VDC	+4 ~ +30 VDC
Source	OPEN or <1 VDC	+4 ~ +30 VDC
Output Type	ON State Readback as 1	OFF State Readback as 0
Relay Output		

Ordering Information

I-7063B CR	8-ch Isolated (Wet, 4~30 VDC) DI and 3-ch DC-SSR Output Module using DCON Protocol (Blue Cover) (RoHS)
I-7063BD CR	8-ch Isolated (Wet, 4~30 VDC) DI and 3-ch DC-SSR Output Module with LED Display using DCON Protocol (Blue Cover) (RoHS)
I-7065B CR	4-ch Isolated (Wet, 4~30 VDC) DI and 5-ch DC-SSR Output Module using DCON Protocol (Blue Cover) (RoHS)
I-7065BD CR	4-ch Isolated (Wet, 4~30 VDC) DI and 5-ch DC-SSR Output Module with LED Display using DCON Protocol (Blue Cover) (RoHS)
M-7065B-G CR	4-ch Isolated (Wet, 4~30 VDC) DI and 5-ch DC-SSR Output Module using DCON and Modbus Protocols (Gray Cover) (RoHS)
M-7065BD-G CR	4-ch Isolated (Wet, 4~30 VDC) DI and 5-ch DC-SSR Output Module with LED Display, using DCON and Modbus Protocols (Gray Cover) (RoHS)

Accessories

tM-7520U CR	tM-7561 CR	tM-SG4 CR	I-7514U CR	SG-770 CR
RS-232 to RS-485 Converter (RoHS)	USB to RS-485 Converter (RoHS)	RS-485 Bias and Termination Resistor Module (RoHS)	4-channel RS-485 Hub (RoHS)	7/14 channel Surge Protector (RoHS)
SG-3000 Series	Signal Conditioning Modules for Thermocouple, RTD, DC Voltage, DC Current and Power Input Transformers			