



I-9037P

16-channel Source-type Isolated Digital Output Module

Features

- 16-channel Source-type Digital Output
- Channel Status LED Indicators
- Photo Couple Isolation
- Short Circuit Protection
- Power-on Value and Safe Value Options
- 4 kV ESD Protection
- 3750 VDC Intra-Module Isolation



Introduction

The I-9037P provides 16 channels of digital output with photo couple isolation. Source-type output with short circuit protection and up to 700 mA load current are supported for each channel. There are options for configuring power-on and safe digital output values. 4 kV ESD protection and 3750 VDC intra-module isolation are also included to enrich the noise protection ability for industrial environment.

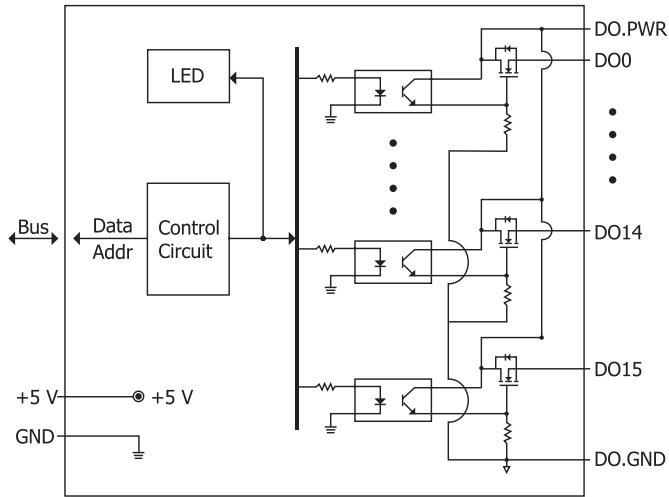
System Specifications

LED Display	
System LED Indicator	1 LED as Power Indicator
I/O LED Indicator	16 LEDs as Digital Output Indicators
Isolation	
Intra-module Isolation, Field-to-Logic	3750 VDC
EMS Protection	
ESD (IEC 61000-4-2)	±4 kV Contact for each Terminal ±8 kV Air for Random Point
Power	
Power Consumption	1 W Max., 10 A @ 30 VDC/ per each one DO.GND point
Mechanical	
Dimensions (W x L x H)	31 mm x 134 mm x 144 mm
Environment	
Operating Temperature	-25 ~ +75 °C
Storage Temperature	-30 ~ +80 °C
Humidity	10 ~ 95% RH, Non-condensing

I/O Specifications

Digital Output	
Channels	16
Sink/Source (NPN/PNP)	Source
Output Type	Isolated Open-Emitter
Max. Load Current	700 mA/Channel
Load Voltage	+ 5 to +30 VDC
Overvoltage Protection	60 VDC
Short-circuit Protection	Yes

Internal I/O Structure



Pin Assignments

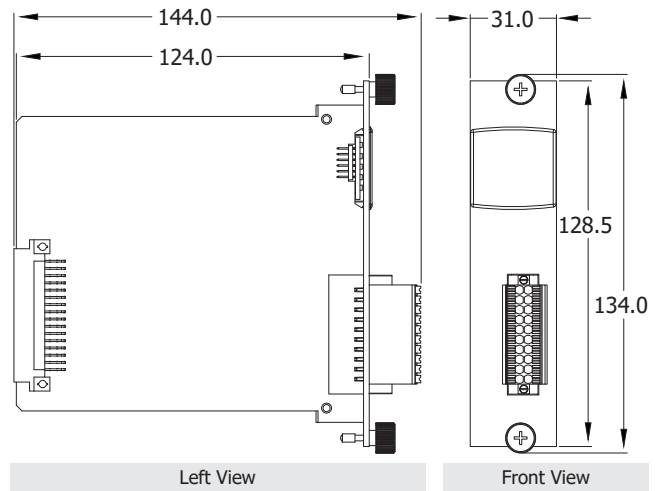


Pin Assignment	Terminal No.	Pin Assignment
DO0	01	DO8
DO1	02	DO9
DO2	03	DO10
DO3	04	DO11
DO4	05	DO12
DO5	06	DO13
DO6	07	DO14
DO7	08	DO15
DO.GND	09	DO.GND
DO.PWR	10	DO.PWR

Wire Connections

Output Type	ON State LED ON Readback as 1	OFF State LED OFF Readback as 0
Drive Relay	Relay ON 	Relay OFF
	Resistance Load 	Resistance Load

Dimensions (Units: mm)



Ordering Information

I-9037P CR	16-channel Source-type Isolated Digital Output Module (RoHS)
-------------------	--