



I-8037W-G

16-channel Isolated Open Collector Output Module

Features

- Source Type Digital Output
- Photocouple-isolation protection
- ± 4 kV ESD Protection
- Short Circuit Protection
- 3750 Vdc Intra-module Isolation
- RoHS Compliant
- Wide Operating Temperature Range: $-25 \sim +75$ °C



Introduction

The I-8037W provides 16 channels for Digital Output, each of which features Photocouple-isolation. The I-8037W supports Source Type output with short circuit protection and each channel can drive 100 mA load. There are options for configuring power-on and safe digital output values. ± 4 kV ESD protection and 3750 Vdc intra-module isolation are also provided to enrich the noise protection ability for industrial environment.

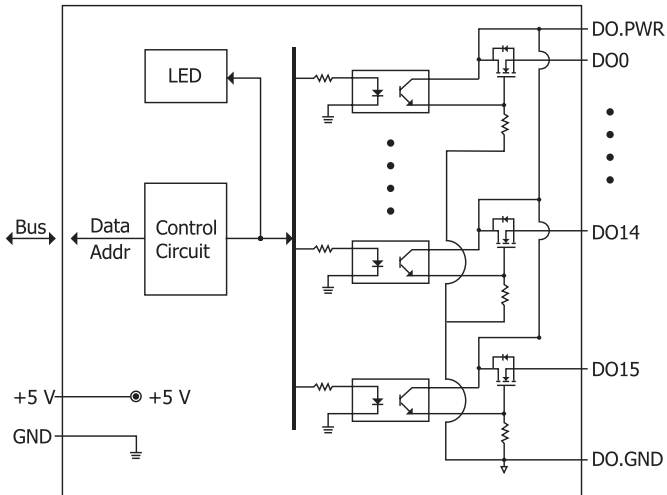
System Specifications

LED Indicators/Display	
System LED Indicator	1 LED as Power Indicator
I/O LED Indicator	16 LEDs as Digital Output Indicators
Isolation	
Intra-module Isolation, Field-to-Logic	3750 Vdc
EMS Protection	
ESD (IEC 61000-4-2)	± 4 kV Contact for Each Terminal
Power	
Power Consumption	0.9 W max.
Mechanical	
Dimensions (W x L x H)	30 mm x 102 mm x 115 mm
Environment	
Operating Temperature	$-25 \sim +75$ °C
Storage Temperature	$-40 \sim +85$ °C
Humidity	10 ~ 90% RH, Non-condensing

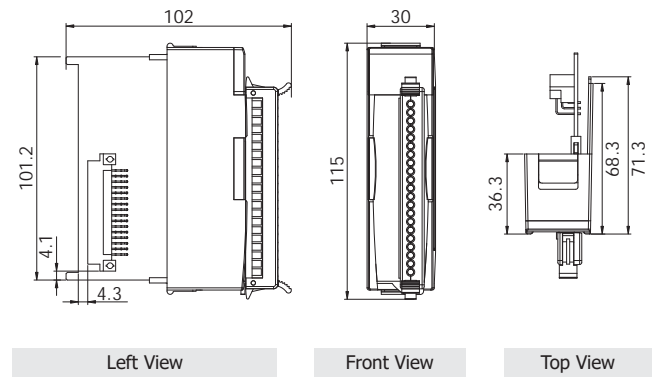
I/O Specifications

Digital Output	
Channels	16
Type	Isolated Open-Emitter
Sink/Source (NPN/PNP)	Source
Load Voltage	+5 ~ +30 VDC
Max. Load Current	100 mA/Channel

Internal I/O Structure



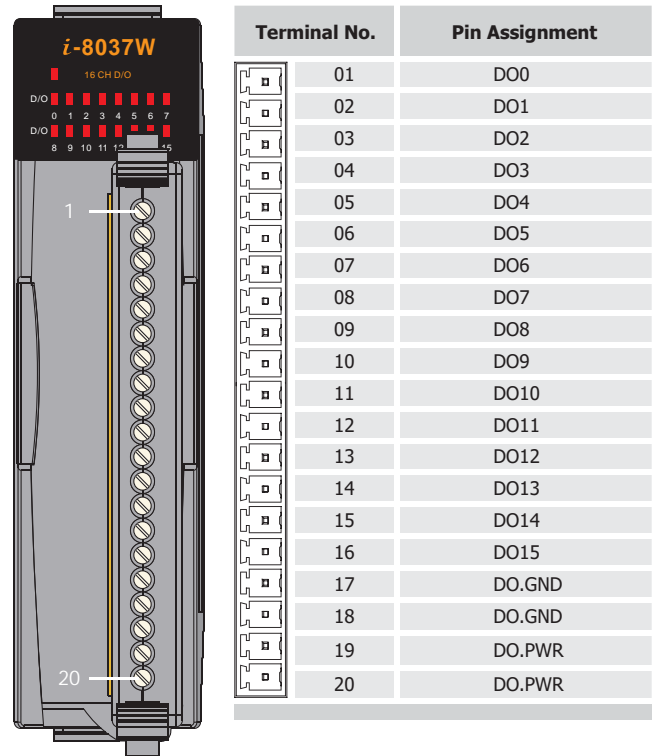
Dimensions (Units: mm)



Wire Connections

Output Type	ON State LED ON Readback as 1	OFF State LED OFF Readback as 0
Drive Relay	Relay ON 	Relay OFF
	Resistance Load 	Resistance Load

Pin Assignments



Ordering Information

I-8037W-G CR	16-channel Isolated Open Collector Output Module (Gray Cover) (RoHS)
---------------------	--