



## I-7580

PROFINET to RS-232/422/485 Converter

### Features

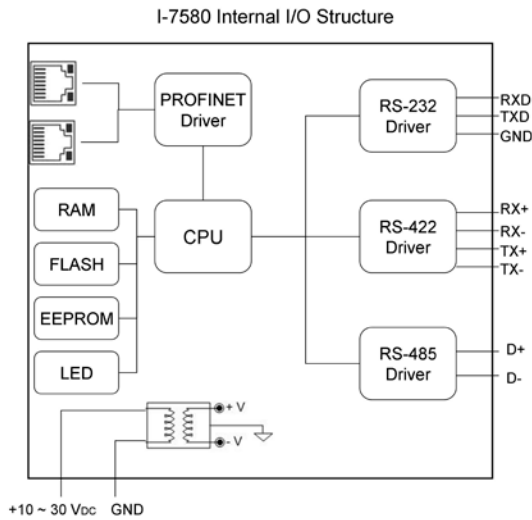
- Protocol: PROFINET IO Device
- PROFINET Conformance Class B and RT Class 1
- Cyclic Time: 1ms (min)
- Generic GSDML File Provided (Version 2.25)
- Max length of input/output data is 512/384 Bytes
- Provide LED indicators
- 4 kV Contact ESD protection for any terminal
- The operating temperature range is -25°C~+75°C



### Introduction

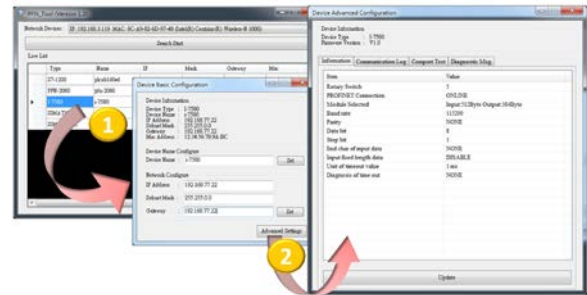
The I-7580 specially designed for PROFINET IO device. It offers RS-232, RS-422, and RS-485 three kinds of communication way. With the Hybrid COM 1 design, users can readily choose one type of com port to use. Through the GSDML file, it is easy to communicate with any standard PROFINET IO controller.

### Internal I/O Structure

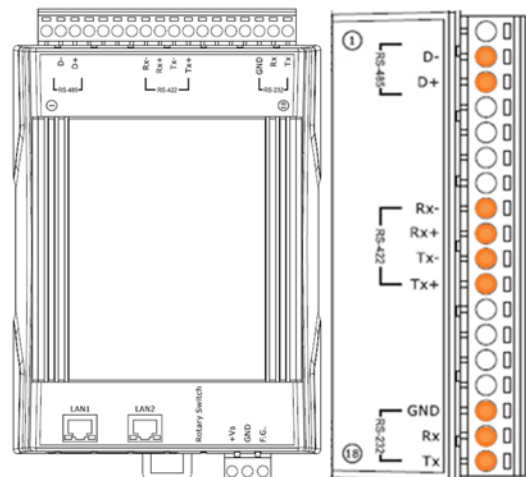


### Utility Features

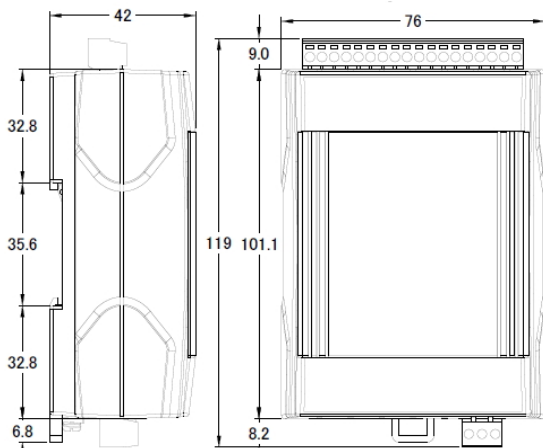
- Show module parameters of the I-7580
- Show diagnostic messages of the I-7580
- Provide comport test function
- Provide Communication Log of comport



### Pin Assignments



### Dimensions (Units: mm)



## Hardware Specifications

PROFINET Interface	
Protocol	PROFINET IO Device
Conformance Classes	Class B
Services	RTC, RTA, CL-RPC, DCP, LLDP, I&M
Cycle Time	1 ms (min)
Ethernet Interface	
Controller	10/100Base-TX Ethernet Controller (Auto-negotiating, Auto_MDIX)
Connector	RJ-45 x 2 (LED indicators) , Integrated 2-Port Switch
Services	ICMP, IGMP, ARP, DHCP, TELNET, TFTP, SNMP, VLAN Priority Tagging
UART Interface	
COM	RS-232/RS-422/RS-485 (can't be used simultaneously) □
COM Connector	3-pin screwed terminal block (RxD, TxD, GND) 4-pin screwed terminal block (RxD+, RxD-, TxD+, TxD-) 2-pin screwed terminal block (DATA+, DATA-)
Baud Rate (bps)	1200, 2400, 4800, 9600, 19200, 38400, 57600, 115200, 230400, 460800
Data bit	7, 8
Stop bit	1
Parity	None, Even, Odd
LED	
Round LED	AP LED, BOOT LED, ERR LED
Power	
Power supply	Unregulated +10 ~ +30 V <sub>DC</sub>
Protection	Power reverse polarity protection, Over-voltage brown-out protection
Power Consumption	3.4W
Mechanism	
Installation	DIN-Rail
Dimensions	42 mm x 76 mm x 119 mm (W x L x H)
Environment	
Operating Temp.	-25 ~ 75 °C
Storage Temp.	-30 ~ 80 °C
Humidity	10 ~ 90% RH, non-condensing

## Application



## Ordering Information

<b>I-7580 CR</b>	PROFINET to RS-232/422/485 Converter (RoHS)
------------------	---