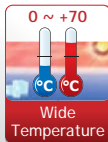


NS-200FC/NS-200FCS

NS-200FT



Features >>>>

- Automatic MDI/MDI-X crossover for plug-and-play
- Supports both 10/100 Mbps speed auto negotiation
- Store-and-forward architecture
- Full duplex IEEE 802.3x and half duplex backpressure flow control
- 1.4 Gbps high performance memory bandwidth
- Frame buffer memory: 256 Kbit
- 1024 MAC addresses
- Supports +10 V_{DC} ~ +30 V_{DC} Reverse Polarity Protection
- Supports operating temperatures from 0 °C ~ +70 °C
- Slim packaging fits on your DIN-Rail Mounting

Introduction

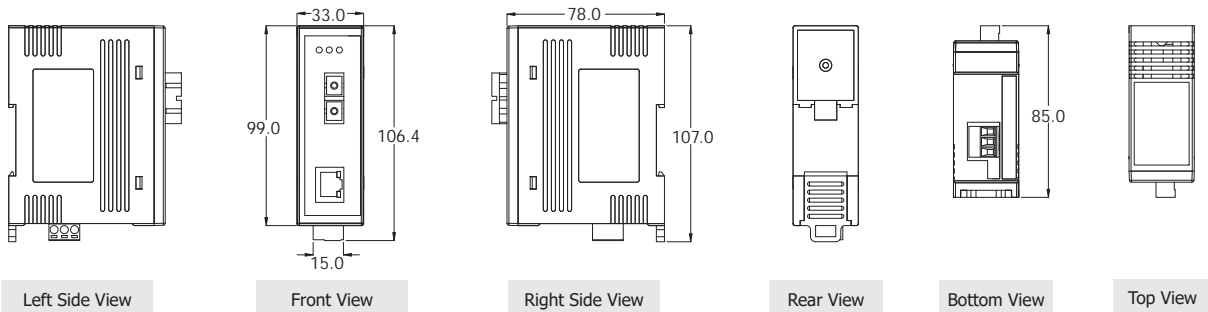
The NS-200F series is a Ethernet (10/100 Base-TX) to Media (100 Base-FX) converter. The Ethernet supports 10/100M auto negotiation feature and auto MDI/MDI-X function. The NS-200F series operates at either half or full duplex mode. It contains "soft start" function with overload protection, high-low voltage protection. The width of the NS-200F series is just 33 mm, so it can be used where space is important.

Specifications

Models	NS-200FC	NS-200FT	NS-200FCS
Technology			
Standards	IEEE 802.3, 802.3u, 802.3x		
Processing Type	Store & forward, wire speed switching		
MAC Addresses	1024		
Memory Bandwidth	1.4 Gbps		
Frame Buffer Memory	256 Kbit		
Flow Control	IEEE 802.3x flow control, back pressure flow control		
Interface			
RJ-45 Port	10/100 Base-TX auto negotiation speed, F/H duplex mode, and auto MDI/MDI-X connection		
Fiber Port	100 Based-FX		
LED Indicators	10/100M, Link/Act, Full duplex/Half duplex (Fiber Port)		
Ethernet Isolation	1500 V _{rms} 1 minute		

Models		NS-200FC	NS-200FT	NS-200FCS
Fiber Interface (100 Base-FX; SC/ST type)				
Multi-mode		Multi mode fiber cables: 50/125, 62.5/125 or 100/140 μm Distance: 2 km, (62.5/125 μm recommended) for full duplex Wavelength: 1300 or 1310 nm Min. TX Output: -20 dBm Max. TX Output: -14 dBm Max. RX Sensitivity: -34 ~ -31 dBm		-
Single-Mode		-		Multi mode fiber cables: 50/125, 62.5/125 or 100/140 μm Distance: 2 km, (62.5/125 μm recommended) for full duplex Wavelength: 1300 or 1310 nm Min. TX Output: -20 dBm Max. TX Output: -14 dBm Max. RX Sensitivity: -34 ~ -31 dBm
Ethernet Transmission Distance	Ethernet	2-pair UTP/STP Cat.3, 4, 5, EIA/TIA-568 100 Ω		
	Fast Ethernet	2-pair UTP/STP Cat. 5, EIA/TIA-568 100 Ω		
Power				
Input Voltage Range		+10 Vdc ~ +30 Vdc (Non-isolated)		
Power Consumption		0.12 A @ 24 Vdc, +/-5% arrowed with 100M Full duplex		
LED Indicator		Yes		
Protection		Power reverse polarity protection		
Frame Ground for EMS Protection		Yes		
Mechanical				
Casing		Plastic (Flammability UL 94V-0)		
Dimensions (W x L x H)		33 mm x 85 mm x 107 mm		
Installation		DIN-Rail Mounting		
Environmental				
Operating Temperature		0 °C ~ +70 °C		
Storage Temperature		-20 °C ~ +85 °C		
Ambient Relative Humidity		10% ~ 90% RH, non-condensing		

Dimensions (Units: mm)



Ordering Information

NS-200FC CR	Industrial 10/100 Base-T to 100 Base-FX Media Converter; 1 Multi-mode, SC connector (RoHS)
NS-200FT CR	Industrial 10/100 Base-T to 100 Base-FX Media Converter; 1 Multi-mode, ST connector (RoHS)
NS-200FCS CR	Industrial 10/100 Base-T to 100 Base-FX Media Converter; 1 single mode, SC connector (RoHS)

Accessories

GPSU06U-6	24V/0.25A, 6 W Power Supply
MDR-20-24	24 V/1 A, 24 W Power Supply with DIN-Rail Mounting
DIN-KA52F	24V/1.04A, 25 W Power Supply with DIN-Rail Mounting