



## NSM-316G

16-port GBE Ethernet Unmanaged Switch

### Features

- Full Gigabit Ethernet ports
- Nonblocking architecture, line rate for all packet sizes
- Fully integrated packet buffer
- DIP switch alarm setting for Port's break
- Power loss alarm
- Supports 9216 Byte jumbo frames
- Supports Auto Negotiation and Auto MDI/MDI-X
- Supports Dual +12 ~ 48 VDC power input and 1 relay output



### Introduction

The NSM-316G has 16 Ethernet ports that support 10/100/1000 Base-TX, with a 10/100/1000M auto negotiation feature and auto MDI/MDI-X function. It can connect 16 workstations and automatically switches the transmission speed (10 Mbps or 100 or 1000 Mbps) for corresponding connections.

All Ethernet ports have memory buffers that support the store-and-forward mechanism, which assures that data can be transmitted properly. The NSM-316G supports advanced network standards to optimize network performance, reduce maintenance costs, and secure network safety.

The flow control mechanism is also negotiated. There is link/Act LEDs for each port to aid troubleshooting. Port connectors are shielded RJ-45. DIP switch setting alarm for for each port loss link or break.

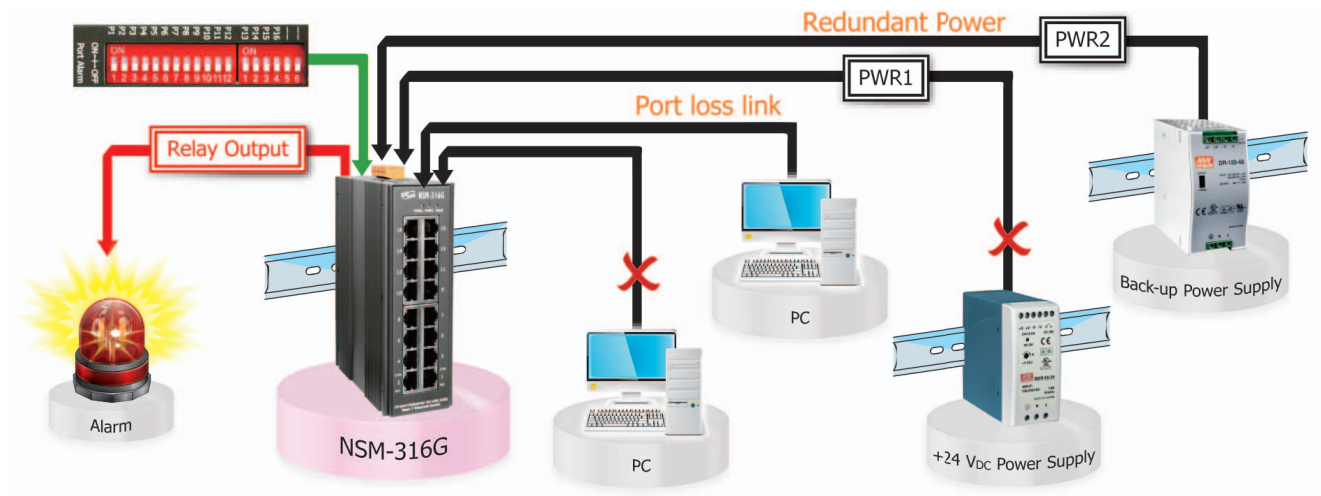
### Redundant Power Input & Port Alarm Setting

Both power inputs can be connected simultaneously to live DC power sources.

If one power source fails, the other live source will act as a backup, and automatically supplies all of NSM-316G series power needs.

If the port's DIP switch have been set, when it loss link or break connection, it will output alarm from the relay.

DIP Switch	Setting	Description
Port Alarm Function (P1 to P16)	ON	Enables the PORT Alarm. When the port's loss link, the relay will forced an close circuit, and the fault LED will light up.
	OFF	Disable the PORT Alarm. When the port's loss link, there will no action from the relay, and it remain in open circuit, and the fault LED will not light up.



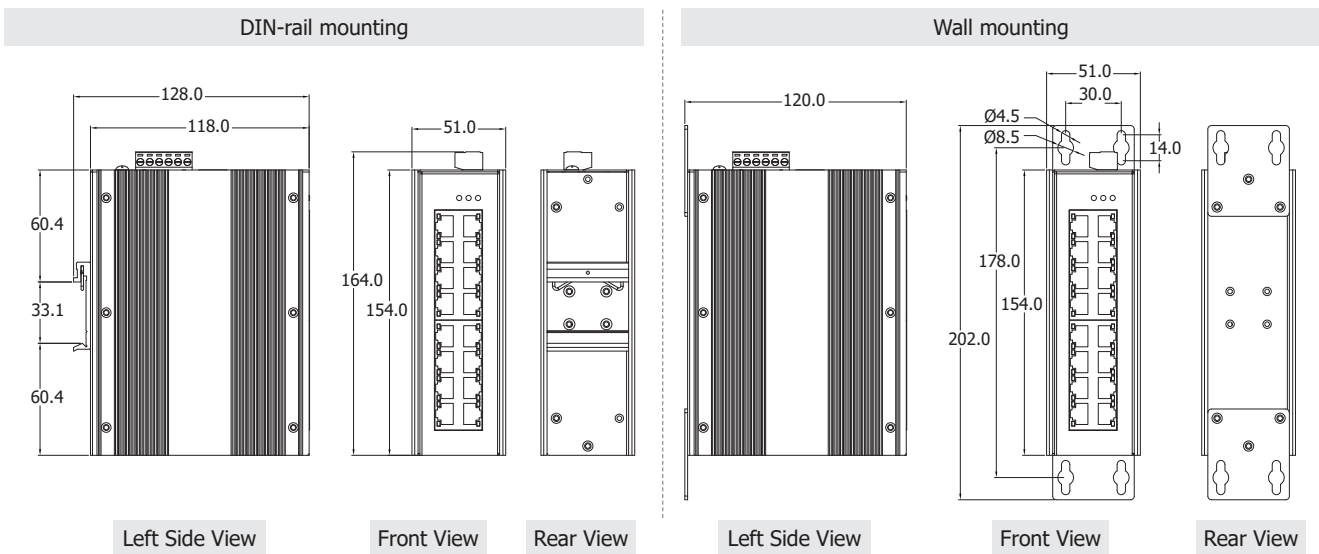
### Ordering Information

<b>NSM-316G CR</b>	16-port GBE Ethernet Unmanaged Switch (RoHS)
--------------------	--


## Specifications

LED Indicators	
Status	PWR1, PWR2, FAULT, Link, Act
Ethernet	
Ports	16 x RJ-45, 10/100/1000Base-T
Standards	IEEE 802.3 for 10Base-T IEEE 802.3u for 100Base-TX IEEE 802.3ab for 1000Base-T IEEE 802.3x for Flow Control Energy Efficient Ethernet (EEE) as per 802.3az; this provides power savings during idle network activity
Processing Type	Store & forward, wire speed switching
MAC Table	8 K
Frame Buffer Memory	512 KByte
Flow Control	IEEE802.3x flow control, back pressure flow control
Jumbo Frames	9216 Byte
Isolation	1500 Vrms 1 minute
DIP Switch	Ports loss link alarm mask
COM Ports	
Ports	1 x RS-232 (console)
Power	
Reverse Polarity Protection	Yes
Input Range	+12 ~ +48 VDC
Redundant Power Inputs	Yes
Consumption	0.20A @ 24VDC idle without loading; 0.43A @ 24VDC with full loading
Alarm Output	Yes, Relay 1 A @ 30 VDC
Mechanical	
Casing	Metal
Dimensions (mm)	DIN-rail mounting: 51 x 164 x 128 (W x L x H) Wall mounting: 51 x 202 x 120 (W x L x H)
Installation	DIN-rail mounting or wall mounting (optional)
Ingress Protection Rating	IP30
Environment	
Operating Temperature	-40 °C ~ +75 °C
Storage Temperature	-40 °C ~ +85 °C
Humidity	10% ~ 90% RH, non-condensing

## Dimensions (Units: mm)



## Accessories

 <b>ASO-0023 CR</b> Wall Mount Kit (W:44mm) (RoHS)
---