



NS-208A

NSM-208A

8-port Industrial 10/100 Mbps Ethernet Switch

Features

- Cost-effective
- Automatic MDI/MDI-X crossover for plug-and-play
- Store-and-forward architecture
- Full duplex IEEE 802.3x and half duplex backpressure flow control
- Each port supports both 10/100 Mbps speed auto negotiation



Introduction

The NS-208A/NSM-208A has 8 Ethernet ports that support 10/100 Base-TX, with a 10/100M auto negotiation feature and auto MDI/MDI-X function.

All Ethernet ports have memory buffers that support the store-and-forward mechanism, which assures that data can be transmitted properly. The NS-208A/NSM-208A supports advanced network standards to optimize network performance, reduce maintenance costs, and secure network safety.

The flow control mechanism is also negotiated. There is link/data rate LEDs for each port to aid troubleshooting. Port connectors are shielded RJ-45.

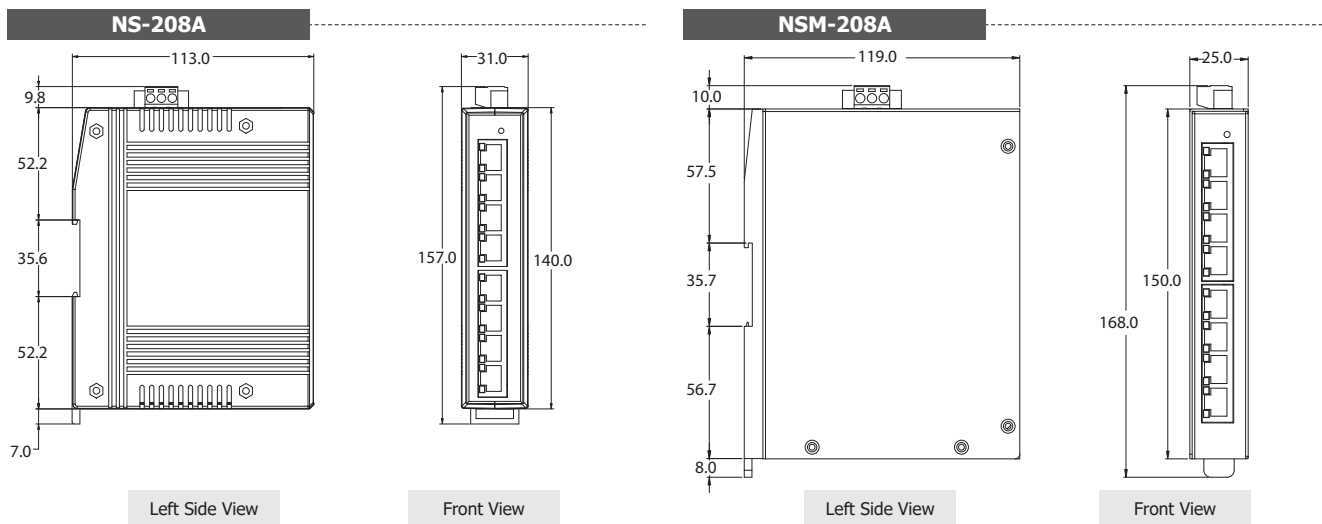
Specifications

| Model | NS-208A | NSM-208A |
|-----------------------------|---|----------------------------|
| EMS Protection | | |
| ESD (IEC 61000-4-2) | Yes | |
| LED Indicators | | |
| Status | Power, Link/Act, 10/100M | |
| Ethernet | | |
| Ports | 8 x RJ-45, 10/100Base-TX | |
| Standards | IEEE 802.3, 802.3u, 802.3x | |
| Processing Type | Store & forward; wire speed switching | |
| MAC Table | 2048 | |
| Frame Buffer Memory | 768 Kbit | |
| Flow Control | IEEE 802.3x flow control, back pressure flow control | |
| Isolation | 1500 Vrms 1 minute | |
| Power | | |
| Reverse Polarity Protection | Yes | |
| Input Range | +12 ~ +48 VDC | |
| Consumption | 20 mA@24 VDC (without loading) 80 mA@24 VDC (Full loading) | |
| Mechanical | | |
| Casing | Plastic | Metal |
| Dimensions (mm) | 31 x 157 x 113 (W x L x H) | 25 x 168 x 119 (W x L x H) |
| Installation | DIN-Rail Mounting | |
| Ingress Protection Rating | - | IP30 |
| Environment | | |
| Operating Temperature | -40 °C ~ +75 °C | |
| Storage Temperature | -40 °C ~ +85 °C | |
| Humidity | 10% ~ 90% RH, non-condensing | |

Comparison Table of 8-port 10/100 Mbps Ethernet Switch

| Mode Name | NS-208 | NSM-108 | NS-208A | NSM-208A | NS-208R |
|--------------------------------------|-------------------|------------------------------------|-------------------|----------------|-------------------|
| Input Voltage Range | +12 VDC ~ +48 VDC | | | | |
| Casing | Plastic | Metal | Plastic | Metal | Plastic |
| Installation | DIN-Rail Mounting | DIN-Rail Mounting or Wall Mounting | DIN-Rail Mounting | | |
| Dimensions (W x L x H) (Unit: mm) | 64 x 118 x 98 | 73 x 132 x 103 | 31 x 157 x 113 | 25 x 168 x 119 | 64 x 118 x 98 |
| Remarks | - | | Cost-effective | | EN50155-certified |

Dimensions (Units: mm)



Ordering Information

| | |
|--------------------|--|
| NS-208A CR | Unmanaged 8-port Industrial 10/100 Mbps Ethernet Switch (RoHS) |
| NSM-208A CR | Unmanaged 8-port Industrial 10/100 Mbps Ethernet Switch with Metal Case (RoHS) |