



CAN-2057D

16-channel Isolated DO Module of DeviceNet Slave

Features

- DeviceNet general I/O slave devices
- Group 2 Only Server (non UCMM-capable)
- Support Predefined Master/Slave Connection Set
- Connection supported:
 - 1 connection for Explicit Messaging
 - 1 connection for Polled I/O
 - 1 connection for Bit-Strobe I/O connection
- Support DeviceNet heartbeat and shutdown messages
- Provide EDS file for DeviceNet master interface
- Support Application: Drive Relay, Resistance Load
- ESD Protection 4 kV Contact for each channel



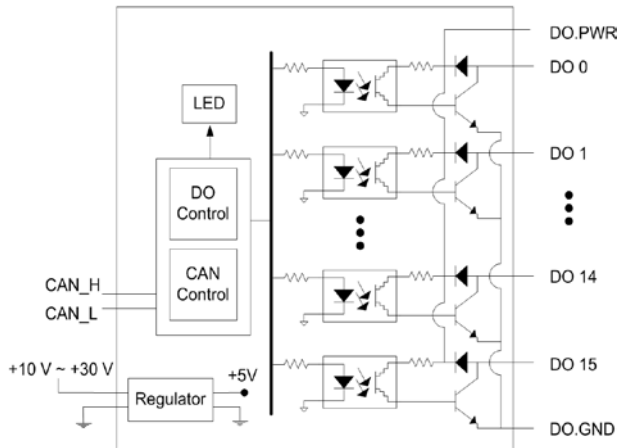
Introduction

The CAN-2057D follows DeviceNet specification Volume I/II, Release 2.0. User can access the digital output status and set the configuration via DeviceNet EDS file. The CAN-2057D has 16 Digital output channels with Open Collector output type and can be used to develop powerful and cost effective digital control system. By the DeviceNet masters of ICP DAS, you can quickly build a DeviceNet network to approach your requirements.

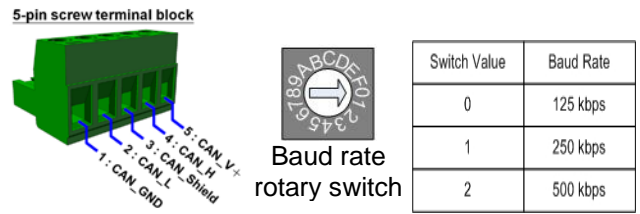
Hardware Specifications

| CAN Interface | |
|----------------------------|---|
| DeviceNet Specification | Volume I, Release 2.0 & Volume II, Release 2.0, Errata 5 |
| DeviceNet subscribe | Group 2 Only Server |
| Connection supported | 1 connection for Explicit Messaging 、 1 connection for Polled I/O 、 1 connection for Bit-Strobe I/O |
| Node ID | 0 ~ 63 selected by rotary switch |
| Baud Rate (bps) | 125 kbps, 250 kbps, 500 kbps |
| Heartbeat/Shutdown message | Yes |
| Terminal Resistor | Switch for 120 Ω terminal resistor |
| DO Interface | |
| Channels | 16 (Sink) |
| Output Type | Open Collector |
| Max Load Current | 100 mA per channel |
| Load Voltage | +5 ~ +30 V _{DC} |
| Intra-module Isolation | 3750 Vrms |
| ESD Protection | 4 kV Contact for each channel |
| LED | |
| Round LED | PWR LED, NET LED, MOD LED |
| I/O LED | 16 LEDs as Digital Output, and 1 LED as terminal resistor indicator |
| Power | |
| Input range | Unregulated +10 ~ +30 VDC |
| Power Consumption | 1.5 W |
| Mechanism | |
| Installation | DIN-Rail |
| Dimensions | 32.3 mm x 99 mm x 77.5 mm (W x L x H) |
| Environment | |
| Operating Temp. | -25 ~ 75 °C |
| Storage Temp. | -30 ~ 80 °C |
| Humidity | 10 ~ 90% RH, non-condensing |

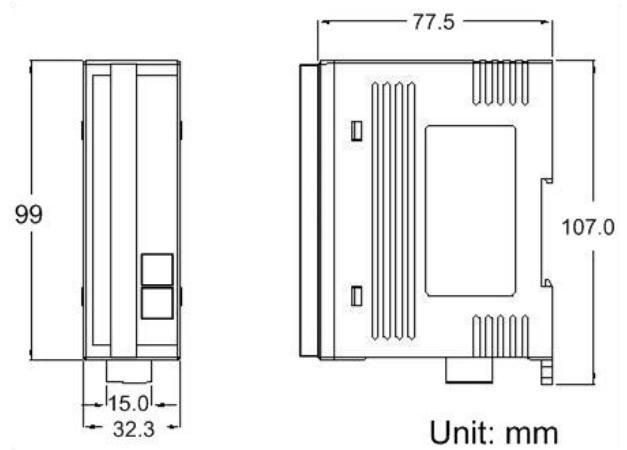
Internal I/O Structure



CAN Pin & Baud Rate Rotary



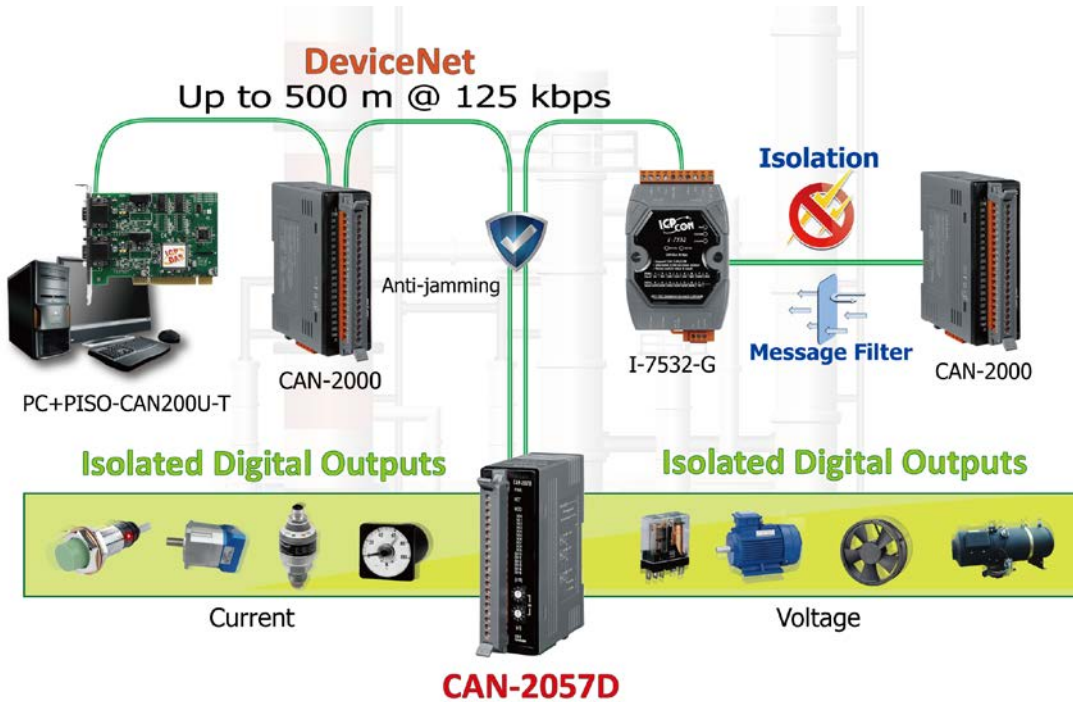
Dimensions (Units: mm)



I/O Pin & Wire Connection

| Output Type | ON State LED ON Readback as 1 | OFF State LED OFF Readback as 0 |
|-------------|----------------------------------|------------------------------------|
| Drive Relay | Relay On | Relay Off |
| | Resistance Load | Resistance Load |

Application



Ordering Information

| | |
|---------------------|--|
| CAN-2057D CR | DeviceNet module of 16-channel Isolated Open Collector Digital Output (RoHS) |
|---------------------|--|