



## CAN-2024D

4-channel Analog Output Module of DeviceNet Slave

### Features

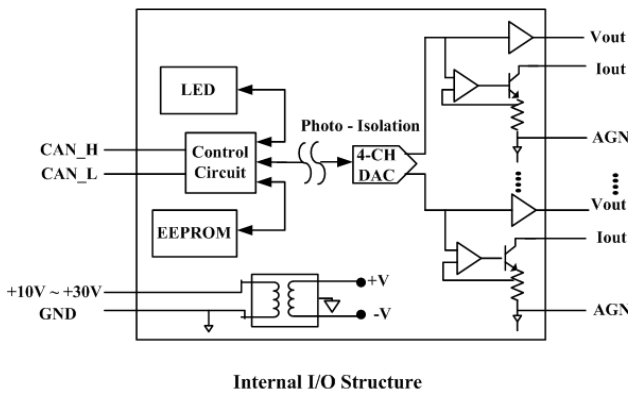
- DeviceNet general I/O slave devices
- Comply with DeviceNet specification Volume I, Release 2.0 & Volume II, Release 2.0, Errata 5
- Group 2 Only Server (non UCMM-capable)
- Connection supported:
  - 1 connection for Explicit Messaging
  - 1 connection for Polled I/O
  - 1 connection for Bit-Strobe I/O connection
- Support DeviceNet heartbeat and shutdown messages
- Provide EDS file for DeviceNet master interface



### Introduction

The CAN-2024D follows DeviceNet specification Volume I/II, Release 2.0. User can access the analog output status and set the configuration via DeviceNet EDS file. This module has 4-channel 14-bit analog output. By the DeviceNet masters of ICP DAS, you can quickly build a DeviceNet network to approach your requirements.

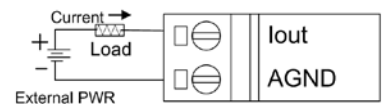
### Internal I/O Structure



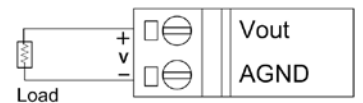
### I/O Pin & Wire Connection

Terminal No.	Pin Assignment
01	Iout 0
02	AGND
03	Iout 1
04	AGND
05	Iout 2
06	AGND
07	Iout 3
08	AGND
09	Vout 0
10	AGND
11	Vout 1
12	AGND
13	Vout 2
14	AGND
15	Vout 3
16	AGND
17	N/A
18	N/A
19	N/A
20	N/A

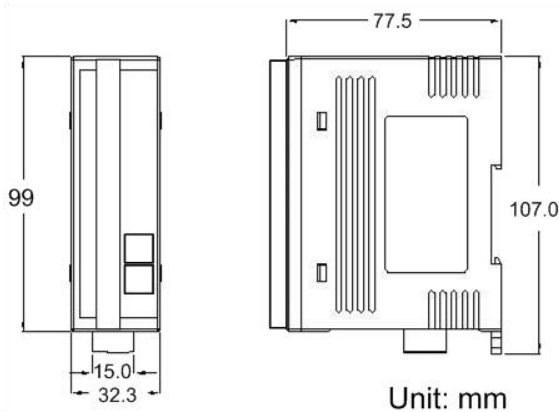
#### Current Output Wiring



#### Voltage Output Wiring

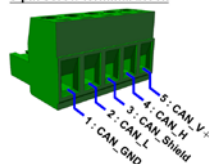


### Dimensions (Units: mm)



### CAN Pin & Baud Rate Rotary

5-pin screw terminal block



Baud rate rotary switch

Switch Value	Baud Rate
0	125kbps
1	250kbps
2	500kbps

