



CAN-2017C

Analog Input Module of CANopen Slave

Features

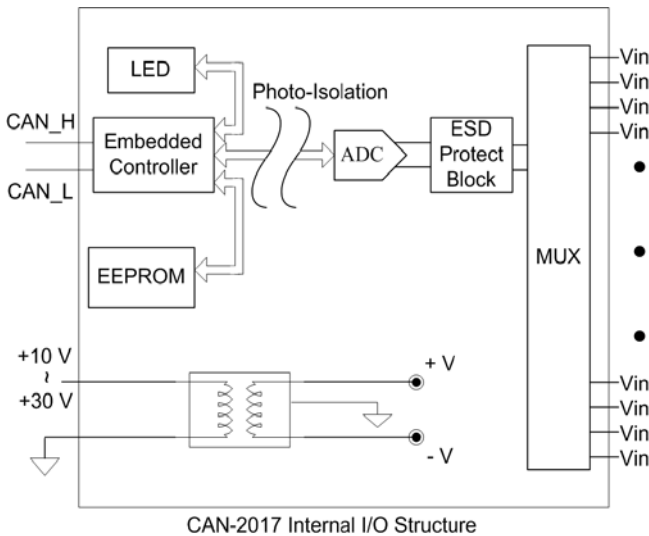
- NMT Slave
- NMT Error Control support Guarding and Heartbeat
- Provide default EDS file
- Passed the validation of CiA CANopen Conformance Test tool
- ESD Protection 4 KV Contact for each channel
- Support Power Supply +10 ~ +30 VDC
- Support CiA DS-301 v4.02, DSP-401 v2.1
- Support Dynamic PDO



Introduction

CAN-2017C module follows the CiA DS-301 version 4.02 and DSP-401 version 2.1. You can access the analogue input status and set the configuration by using standard CANopen protocol. CAN-2017C has passed the validation of the CiA CANopen Conformance Test tool. Therefore, you can use it with standard CANopen master easily by applying the EDS file. CAN-2017C has 8 differential analogue input channels. By the CANopen masters of ICP DAS, you can quickly build a CANopen network to approach your requirement.

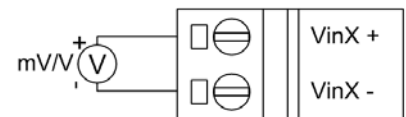
Internal I/O Structure



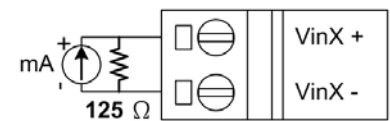
I/O Pin & Wire Connection

Terminal No.	Pin Assignment
01	A0
02	B0
03	A1
04	B1
05	GND
06	A2
07	B2
08	A3
09	B3
10	GND
11	A4
12	B4
13	A5
14	B5
15	GND
16	A6
17	B6
18	A7
19	B7
20	GND

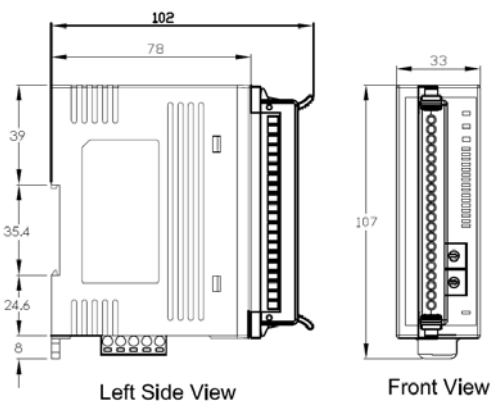
Voltage Input Wiring



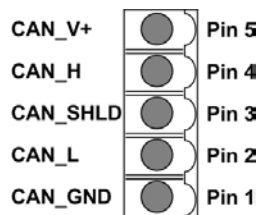
Current Input Wiring



Dimensions



Node ID & Baud rate DIP Switch



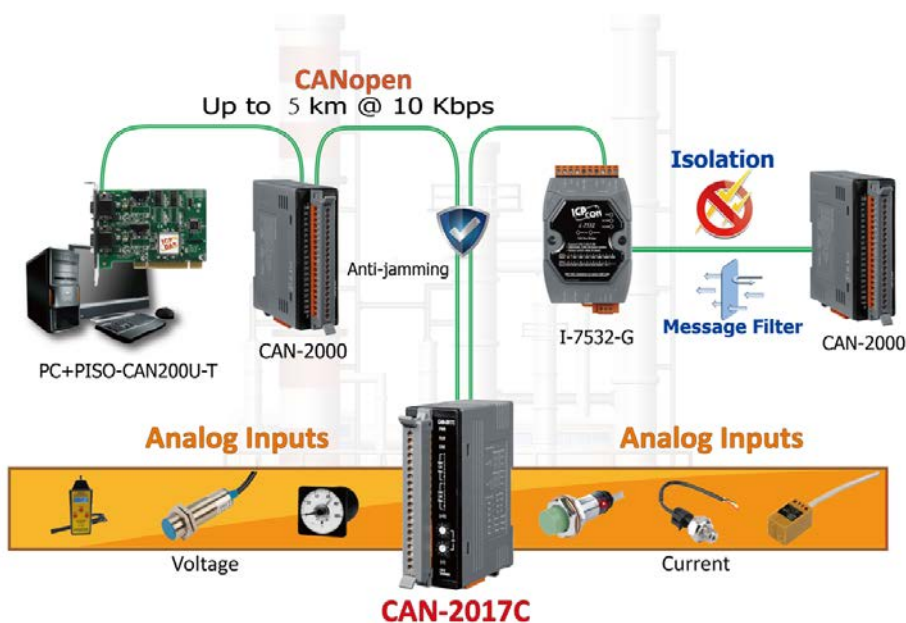
Baud rate rotary switch

Switch Value	Baud Rate
0	10 kbps
1	20 kbps
2	50 kbps
3	125 kbps
4	250 kbps
5	500 kbps
6	800 kbps
7	1000 kbps

Specifications

CAN Interface	
Connector	5-pin screwed terminal block (CAN_GND, CAN_L, CAN_SHLD, CAN_H, CAN_V+)
Baud Rate (bps)	10 k, 20 k, 50 k, 125 k, 250 k, 500 k, 800 k, 1M
Terminal Resistor	Switch for 120 Ω terminal resistor
Node ID	1~99 selected by rotary switch
Protocol	CANopen DS-301 ver4.02, DS-401 ver2.1
No. of PDOs	10 Rx, 10 Tx (support dynamic PDO)
PDO Mode	Event Triggered, Remotely requested, Cyclic and acyclic SYNC
Error Control	Node Guarding protocol and Heartbeat Producer protocol
Emergency Message	Yes
Analog Input	
Channels	8 Differential
Input Range	$\pm 10V$, $\pm 5V$, $\pm 1V$, $\pm 500mV$, $\pm 150mV$, and $\pm 20mA$ (External 125 Ω Resistor Required)
Resolution	16 Bits
ESD Protection	4 kV Contact for each channel
LED	
Round LED	PWR LED, RUN LED, ERR LED
Terminal Resister	1 LED as terminal resister indicator
Alarm LED	8 LEDs as over Upper Limit Indicators, and 8 LEDs as below the Lower Limit Indicators
Power	
Input range	Unregulated +10 ~ +30 V _{DC}
Power Consumption	2.0 W
Mechanism	
Installation	DIN-Rail
Dimensions	33 mm x 99 mm x 78 mm (W x L x H)
Environment	
Operating Temp.	-25 ~ 75 $^{\circ}C$
Storage Temp.	-30 ~ 80 $^{\circ}C$
Humidity	10 ~ 90% RH, non-condensing

Application



Ordering Information

CAN-2017C CR	CANopen module of 8- channel Differential Analogue Input
---------------------	----------------------------------------------------------