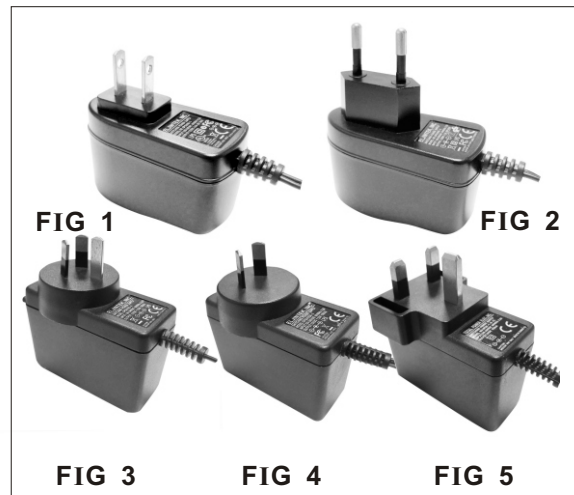


Plug-in power supply

Features:

- Universal input voltage
- No load power consumption: <0.3W
- Meet ENERGY STAR V for 5~48VDC
- Single output
- Pass LPS
- Optional output connectors
- Short circuit protection
- High efficiency & reliability
- Outputs are available at request
- Compact package
- Two years limited warranty



SAFETY AGENCY APPROVALS



Specifications:	GPSU06 Series:
Input voltage	100 ~ 240 VAC
Input frequency	50 ~ 60Hz
Input current	0.2A Max.
Leakage current	0.25mA Max. @ 240 VAC / 50Hz
Output voltage	See rating chart
Output current	See rating chart
Output power range	See rating chart
Ripple	See rating chart
Over voltage protection	Yes. Protected by Zener diode
Over current protection	Yes. Auto - recovery. Standard Series : Rated output current > 110% for primary-referenced direct drive (Constant current series : Rated output current 80~200% for secondary-reference direct drive)
Short circuit protection	Yes. Hiccup mode; Auto-recovery
Temperature coefficient	All output $\pm 0.04\%/^{\circ}\text{C}$ maximum
Transient response	Maximum excursion of 4% or better on all models. Recovering to 1% of final value within 500uS after a 25% step load change
Operating temperature	0 $^{\circ}\text{C}$ ~+40 $^{\circ}\text{C}$. See derating curve
Storage temperature	-40 $^{\circ}\text{C}$ ~+85 $^{\circ}\text{C}$
Relative humidity	5% to 95% non-condensing
Derating	Derated from 100% at +40 $^{\circ}\text{C}$ linearly to 70% at 50 $^{\circ}\text{C}$
Avg. Efficiency	See rating chart
Setup / Hold up / Rise time	Typical : 3000mS / 16mS / 50mS at full load.
Line regulation	$\pm 1\%$ maximum for any input voltage change between input voltage range
Load regulation	Typical $\pm 5\%$ variations from minimum to maximum output current . Or see rating chart
Insulation resistance	50Mohm minimum from input to output
Inrush current	30 AMPS @ 115 VAC ; 60 AMPS @ 230 VAC at 25 $^{\circ}\text{C}$ cold start
Withstand voltage	4242VDC from input to output
Mean time between failure	100,000 hours minimum at full load at 25 $^{\circ}\text{C}$ ambient
EMC	(A)CE : Emission : EN55022 ; EN61000-3-2,3 / Immunity: IEC61000-4-2,3,4,5,6,11 (B)FCC 47 CFR Part 15 Subpart B. ICES-003 Issue 4 ANSI C63.4-2003
Safety	(A) UL60950-1 ; CSA C22.2 (B)EN60950-1 ; IEC60950-1
Warranty	2 years

FIG 1 (UL)

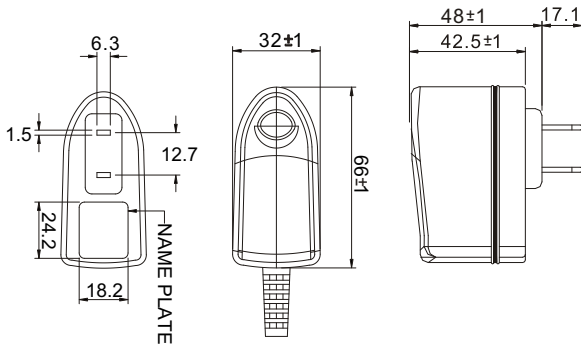


FIG 2 (TUV)

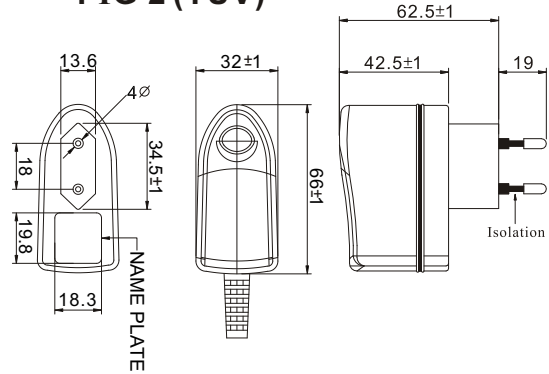


FIG 3 (S)

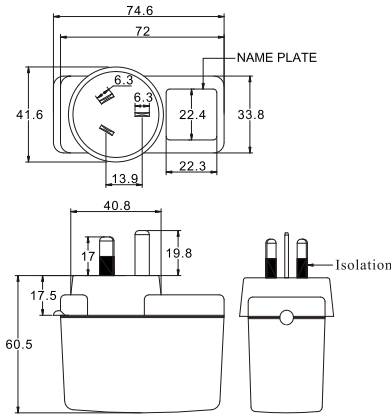


FIG 4 (SA)

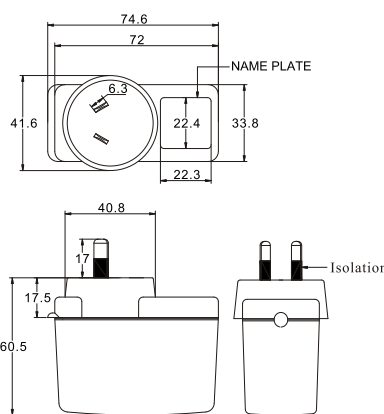
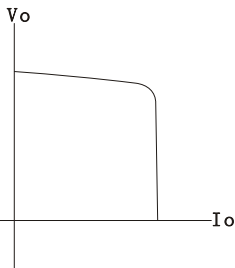
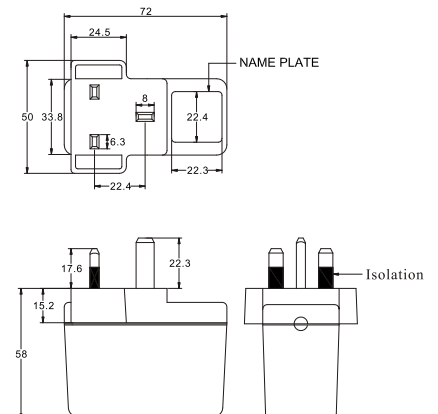
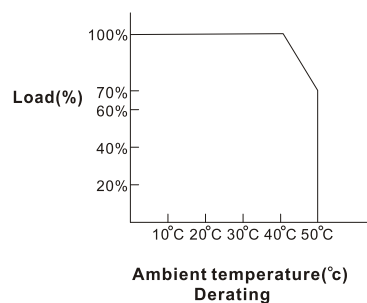


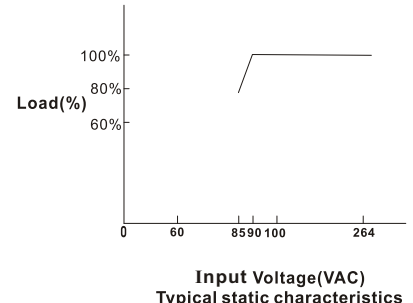
FIG 5 (UK)



CONSTANT CURRENT CURVE



Ambient temperature(°C)
Derating



Input Voltage(VAC)
Typical static characteristics

X= U American type (FIG1) or E European type (FIG 2)

X= S 3pin Australian type (FIG 3) or SA 2pin Australian type (FIG 4) or BS UK Type (FIG 5)

Model name	Output Voltage(VDC)	Output Current(A)	Max.Output power(W)	Ripple.(mV) max.	Line Regulation(%)	Load Regulation(%)	Avg.Eff.(%) 25,50,75,100% load	No load Power Consumption(W)	Measured at the output of
GPSU06X-0	3~5	1.33~0.80	4	50	±1	±5.5	55	<0.3	3.3
GPSU06X-1	5~6	1.00~0.80	5	50	±0.5	±5	68.19	<0.3	5
GPSU06X-1-1	6~8	1.00~0.75	6	80	±0.5	±5	74	<0.3	7.5
GPSU06X-2	8~11	0.75~0.54	6	80	±0.5	±5	74	<0.3	9
GPSU06X-3	11~13	0.54~0.46	6	100	±0.5	±3	74	<0.3	12
GPSU06X-4	13~16	0.46~0.37	6	120	±0.5	±3	74	<0.3	15
GPSU06X-5	16~21	0.37~0.28	6	150	±0.5	±3	74	<0.3	18
GPSU06X-6	21~27	0.28~0.20	6	180	±0.5	±2	74	<0.3	24
GPSU06X-7	27~33	0.20~0.18	6	200	±0.5	±2	74	<0.3	28
GPSU06X-8	33~48	0.18~0.12	6	200	±0.5	±2	74	<0.3	48

Note:

- 1.Weight:Approx 70~100g
- 2.Optional output connectors(see page 89)
- 3.ENERGY STAR V Standard Output cable:20AWG / UL2468 / 6FT