



**I-87028CDW**  
8-channel Isolated Analog Output Module

### Features

- 3 kV Intra-module Isolation
- 3 kV Channel-to-Channel Isolation
- Open Wire Detection for Current Output
- Power-on Value Setting
- Safe Value Setting
- D-sub DB37 Wiring
- 4 kV ESD Protection
- Wide Operating Temperature Range: -25 to +75°C



### Introduction

The I-87028CDW is an 8-channel current output module that features 3 kVDC channel-to-channel isolation and also features per-channel open wire detection for +4 to +20 mA outputs, together with 4 kV ESD protection as well as 3 kVDC intra-module isolation. Options for configuring power-on and safe values are also included.

### System Specifications

Model	I-87028CDW
<b>Communication</b>	
Interface	RS-485
Format	N, 8, 1
Baud Rate	1200 to 115200 bps
Protocol	DCON
Dual Watchdog	Yes, Module (1.6 Seconds), Communication (Programmable)
<b>LED Indicators/Display</b>	
System LED Indicators	Yes, 1 as Power/Communication Indicator
I/O LED Indicators	-
<b>Isolation</b>	
Intra-module Isolation, Field-to-Logic	3000 Vdc
<b>EMS Protection</b>	
ESD (IEC 61000-4-2)	±4 kV Contact for each Terminal
	±8 kV Air for Random Point
<b>Power</b>	
Power Consumption	1 W Max.
<b>Mechanical</b>	
Dimensions (L × W × H)	85 mm x 30 mm x 114 mm
<b>Environment</b>	
Operating Temperature	-25 to +75°C
Storage Temperature	-40 to +85°C
Humidity	10 to 95% RH, Non-condensing

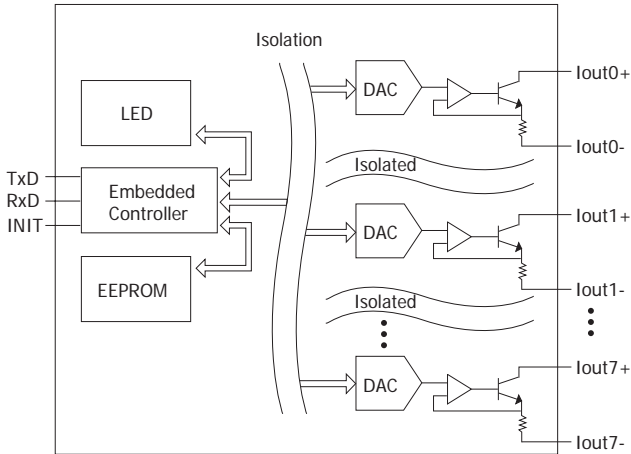
### Applications

- Building Automation
- Factory Automation
- Machine Automation
- Remote Maintenance
- Remote Diagnosis
- Testing Equipment

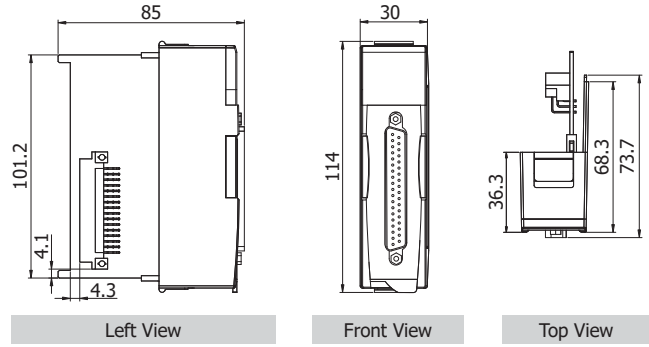
### I/O Specifications

Model	I-87028CDW
<b>Analog Output</b>	
Channels	8
Connector	DB37
Current Output Wiring	Sink
Range	0 ~ +20 mA, +4 ~ +20 mA
Resolution	12-bit
Accuracy	±0.1% of FSR
DA Output Response Time	10 ms per channel
Programmable Output Slope	0.125 ~ 1024 mA/Second
Output Capacity	External +24 VDC @ 1050 Ω
Channel-to-Channel Isolation	Yes, 3000 VDC
Open Wire Detection	Yes, +4 ~ +20 mA
Power-on Value	Yes
Safe Value	Yes

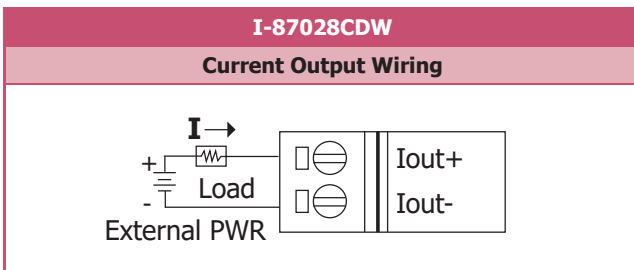
### Internal I/O Structure



### Dimensions (Units: mm)



### Wire Connections



### Ordering Information

<b>I-87028CDW-G CR</b>	8-channel 12-bit Channel-to-Channel Isolated Current Output Module with Open-wire Detection (Gray Cover) (RoHS)
------------------------	---

### Pin Assignments

Pin Assignment	Terminal	No.	Pin Assignment
Iout0+	19	37	N.C.
Iout0-	18	36	N.C.
Iout1+	17	35	N.C.
Iout1-	16	34	N.C.
N.C.	15	33	N.C.
Iout2+	14	32	N.C.
Iout2-	13	31	N.C.
Iout3+	12	30	N.C.
Iout3-	11	29	N.C.
N.C.	10	28	N.C.
Iout4+	09	27	N.C.
Iout4-	08	26	N.C.
Iout5+	07	25	N.C.
Iout5-	06	24	N.C.
N.C.	05	23	N.C.
Iout6+	04	22	N.C.
Iout6-	03	21	N.C.
Iout7+	02	20	N.C.
Iout7-	01		

37-pin Male D-Sub Connector

### Accessories

	DN-37-A	I/O Connector Block with DIN-Rail Mounting and 37-pin D-sub Connector (pitch: 5.08 mm)
	DN-37-381-A	I/O Connector Block with DIN-Rail Mounting and 37-pin D-sub Connector (pitch: 3.81 mm)
	CA-3705A	Male-Female D-sub Cable 0.5 m
	CA-3710A	Male-Female D-Sub Cable 1 m
	CA-3715A	Male-Female D-Sub Cable 1.5 m
	SG-770 CR	7-channel Differential or 14-channel Single-ended Surge Protector (RoHS)



I-87028CDW with DN-37-381-A