



Features

- 10-channel Differential or 20-channel Single-ended Inputs
- Jumper Selectable Voltage or Current Input
- 240 Vrms Overvoltage Protection
- High Resolution: 16-bits
- Supports Fast Mode and Normal Mode
- 4 kV ESD Protection
- 3000 VDC Intra-module Isolation
- Individual Channel Configuration
- Dual Watchdog
- RoHS Compliance
- Wide Operating Temperature Range: -25 to +75°C



Introduction

The I-87017ZW is an analog input module that includes 10 differential or 20 single-ended analog input channels. It provides a programmable input range on all analog inputs. (± 150 mV, ± 500 mV, ± 1 V, ± 5 V, ± 10 V, ± 20 mA or $0 \sim +20$ mA) Each analog input can be configured for an individual range that provides 240 Vrms high overvoltage protection and 50 mA overcurrent protection at 110 VDC/VAC. Voltage and current inputs are jumper selectable. The sampling rate of the I-87017ZW is adjustable and is available in either fast or normal mode. The module also features per-channel open wire detection for $+4 \sim +20$ mA inputs that provides 4 kV ESD protection as well as 3000 VDC intra-module isolation.

Applications

- Industrial Automation
- Industrial Machinery
- Building Automation
- Food and Beverage Systems
- Semiconductor Fabrication
- Control Systems

System Specifications

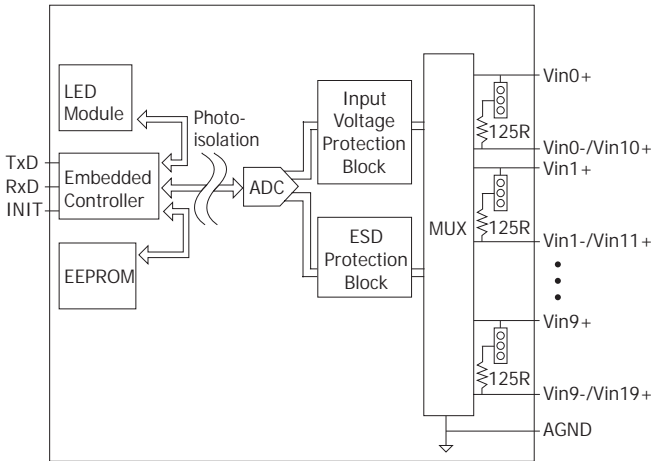
Communication	
Interface	RS-485
Format	N, 8, 1
Baud Rate	1200 to 115200 bps
Protocol	DCON
Dual Watchdog	Yes, Module (1.6 Seconds), Communication (Programmable)
LED Indicators/Display	
System LED Indicators	Yes, 1 as Power/Communication Indicator
I/O LED Indicators	-
Isolation	
Intra-module Isolation, Field-to-Logic	3000 VDC
EMS Protection	
ESD (IEC 61000-4-2)	± 4 kV Contact for each Terminal
	± 8 kV Air for Random Point
EFT (IEC 61000-4-4)	± 4 kV for Power
Power	
Power Consumption	2.0 W
Mechanical	
Dimensions (L x W x H)	115 mm x 30 mm x 102 mm
Environment	
Operating Temperature	-25 to +75°C
Storage Temperature	-40 to +85°C
Humidity	10 to 95% RH, Non-condensing

I/O Specifications

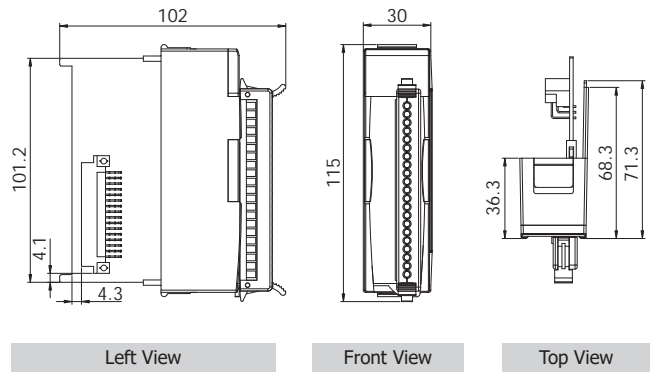
Analog Input			
Channels	10 Differential or 20 Single-ended (See Note 1), Jumper selectable		
Range	± 150 mV, ± 500 mV, ± 1 VDC, ± 5 VDC, ± 10 VDC, ± 20 mA, $0 \sim +20$ mA, $+4 \sim +20$ mA (jumper selectable)		
Resolution	16-bit		
Accuracy	Normal Mode	$\pm 0.1\%$ of FSR	
	Fast Mode	$\pm 0.5\%$ of FSR	
Sampling Rate	Normal Mode	10 Hz (Total)	
	Fast Mode	50 Hz (Total)	
Band Width	Normal Mode	15.7 Hz	
	Fast Mode	78.7 Hz	
Zero Drift	± 20 μ V/°C		
Span Drift	± 25 ppm/°C		
Common Mode Rejection	86 dB		
Normal Mode Rejection	100 dB		
Input impedance	Voltage	Differential	2 M Ω
		Single-ended	1 M Ω
	Current	125 Ω	
Overvoltage Protection	Differential	240 Vrms	
	Single-ended	150 Vrms	
Individual Channel Configuration	Yes		
Overcurrent Protection	50 mA Max. at 110 Vdc/VAC Max.		

Note 1: Differential mode can be used for either voltage input or current input. Single-Ended mode can only be used for voltage input.

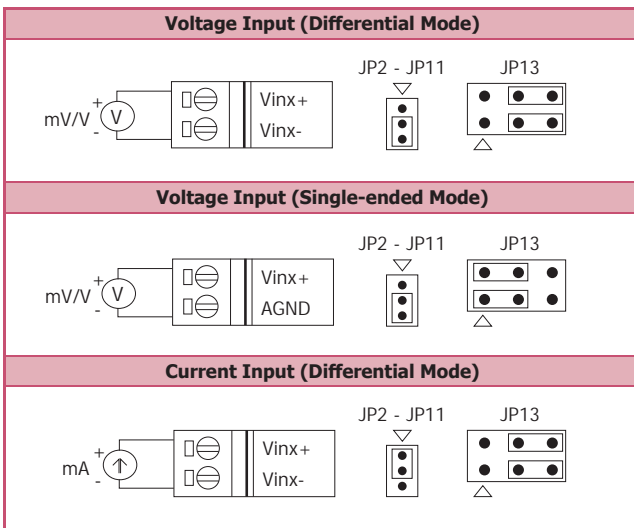
Internal I/O Structure



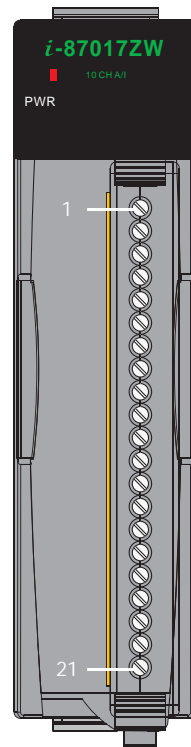
Dimensions (Units: mm)



Wire Connections



Pin Assignments



Terminal No.	Pin Assignment
01	Vin0+
02	Vin0-/Vin10+
03	Vin1+
04	Vin1-/Vin11+
05	Vin2+
06	Vin2-/Vin12+
07	Vin3+
08	Vin3-/Vin13+
09	Vin4+
10	Vin4-/Vin14+
11	Vin5+
12	Vin5-/Vin15+
13	Vin6+
14	Vin6-/Vin16+
15	Vin7+
16	Vin7-/Vin17+
17	Vin8+
18	Vin8-/Vin18+
19	Vin9+
20	Vin9-/Vin19+
21	AGND

Ordering Information

I-87017ZW-G CR	10/20-channel Analog Input Module with High Voltage Protection (Gray Cover) (RoHS)
-----------------------	--

Accessories

	DN-843V-600V CR	3-channel 600 V Voltage Attenuator (RoHS)
	DN-848VI-80V CR	8-channel 80 V Voltage Attenuator (RoHS)
	DN-848VI-150V CR	8-channel 150 V Voltage Attenuator (RoHS)
	DN-843I-CT-1 CR	3-channel 1 A Current Transformer (RoHS)

	DN-843I-CT-50 CR	3-channel 50 A Current Transformer (RoHS)
	SG-770 CR	7-channel Differential or 14-channel Single-ended Surge Protector (RoHS)
	SG-3000 series	Signal Conditioning Modules for Thermocouple, RTD, DC Voltage, DC Current and Power Input