

NS-208PSE/NSM-208PSE



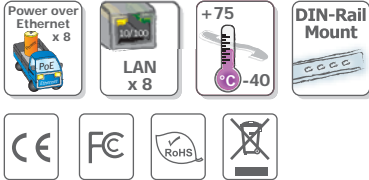
8-Port Industrial 10/100 Mbps PoE(PSE) Ethernet Switch (RoHS)

3

Unmanaged Ethernet Switches

NS-208PSE/NSM-208PSE

Highlight Information ▶▶▶



NS-208PSE Series

NSM-208PSE Series



● Introduction

The NS-208PSE/NSM-208PSE is an 8-port unmanaged PoE (Power-over-Ethernet) Industrial Ethernet switch, it supports 8 PoE ports which are classified as power source equipments (PSE). The NS-208PSE/NSM-208PSE makes centralized power supply come true and provides up to 15.4 watts of power per port. The NS-208PSE/NSM-208PSE can be used to power IEEE802.3af compliant powered devices (PD) by Ethernet cable and eliminates the need for additional power wiring.

● Features

- Automatic MDI/MDI-X crossover for plug-and-play
- Each port supports both 10/100Mbps speed auto negotiation
- Store-and-forward architecture
- Full duplex IEEE 802.3x and half duplex backpressure flow control
- 8 PoE ports with Power Sourcing Equipment (PSE) operation
- Auto-detection of PD (powered devices) and automatic power management
- Over-temperature, over-current and over/under-voltage detection
- Supports operating temperatures from -40 – +75°C
- DIN-Rail
- "-R" stands for products with conformal coating protection

● Specifications

Models	NS-208PSE Series	NSM-208PSE Series
Technology		
Standards	IEEE 802.3, 802.3u, 802.3x, 802.3af (Power over Ethernet)	
Processing Type	Store & forward, wire speed switching	
MAC Addresses	1024	
Memory Bandwidth	3.2 Gbps	
Frame Buffer Memory	512 Kbit	
Flow Control	IEEE 802.3x flow control, back pressure flow control	
Interface		
RJ-45 Ports	10/100 Base-T(X) auto negotiation speed, F/H duplex mode, and auto MDI/MDI-X connection	
LED Indicators	Power, Link/Act, Power Device is detected	
Ethernet Isolation	1500 V _{rms} 1 minute	
+/-6 kV ESD Protection	Yes	
Power Input		
Input Voltage Range	+46 ~ +55 V _{DC} for PoE output	
Power Consumption	0.1 A@ 48 V _{DC} without PD loading; 2.8 A@ 48 V _{DC} with PD full loading	
Protection	Power reverse polarity protection	
+/-6 kV ESD Protection	Yes	
Connection	3-Pin Removable Terminal Block	
PoE Technology		
PoE Compliance	100% IEEE 802.3af compliant	
PoE Classification	PSE (Power Sourcing Equipment)	
PoE Voltage	+46 ~ +55 V _{DC} depending on power input	
PoE Power	Up to 15.4 watts per channel	
PoE Operation	Automatic detection and power management	
PoE Pin assignments	V+ (Pin 1,2), V- (Pin 3,6)	
PoE disconnect mode	DC disconnect	
Mechanical		
Casing	Plastic (Flammability UL 94V-0)	Metal (IP30 Protection)
Dimensions (W x L x H)	31 mm x 157 mm x 113 mm	25 mm x 168 mm x 119 mm
Installation	DIN-Rail	
Environmental		
Operating Temperature	-40 °C ~ +75 °C	
Storage Temperature	-40 °C ~ +85 °C	
Ambient Relative Humidity	10% ~ 90% RH, non-condensing	

LED Functions

LED Indicator Functions		
LED	Color	Description
Power	Red On	Power is On
	Red Off	Power is Off
Port 1 ~ Port 8	Orange On	Power Device is detected
	Green On	Link/Act

Pin Function for Terminal Block

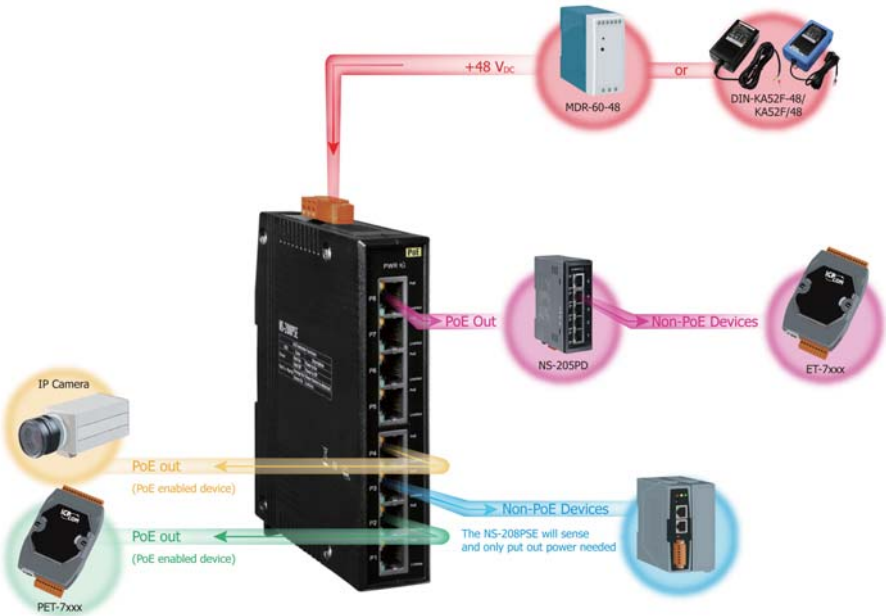
External power supply is connected using the removable terminal block:

PWR : Power input (+46 ~ +55 VDC) and should be connected to the power supply (+)

GND: Ground and should be connected to the power supply (-)

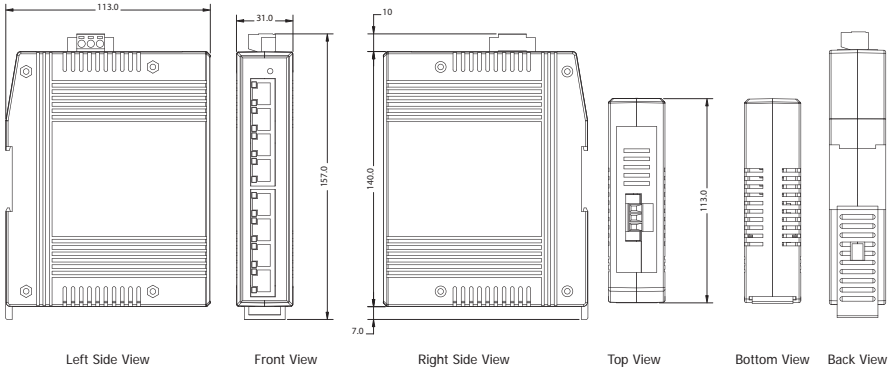
F.G. : F.G. stands for Frame Ground (protective ground). It is optional. If you use this pin, it can reduce EMI radiation; improve EMI performance and ESD protection.

Applications

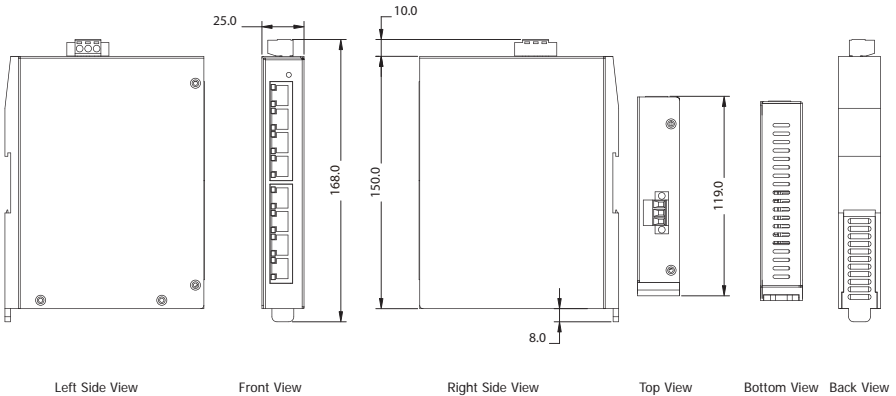


● Dimensions (Unit: mm)

NS-208PSE Series



NSM-208PSE Series



● Ordering Information

NS-208PSE CR	Unmanaged 8-Port Industrial 10/100 Mbps PoE(PSE) Ethernet Switch (RoHS)
NS-208PSE-R CR	NS-208PSE with Conformal coating protection (RoHS)
NSM-208PSE CR	Unmanaged 8-Port Industrial 10/100 Mbps PoE(PSE) Ethernet Switch with Metal Casing (RoHS)
NSM-208PSE-R CR	NSM-208PSE with Conformal coating protection (RoHS)

● Accessories

MDR-60-48	48V/1.25A, 60 W Power Supply with DIN-Rail Mounting
DIN-KA52F-48	48V/0.52A, 25 W Power Supply with DIN-Rail Mounting
KA52F-48	48V/0.52A, 25 W Power Supply