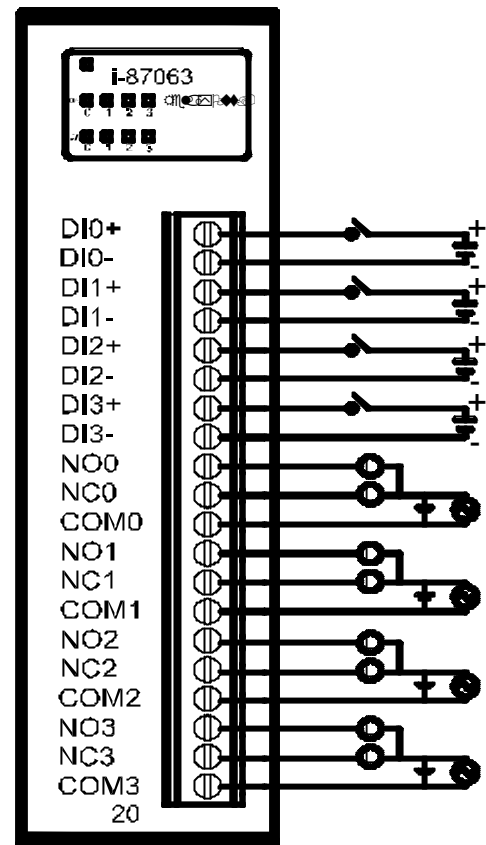


Specification

Digital Input & Relay Output Module

	Input Channel	4 (Differential)
	Input Type	Isolated differential digital input
DI	Input Voltage	30 Vdc Max
	ON State	Input voltage > 3.5V
	OFF State	Input voltage < 1V
	Input Impedance	3K Ohms
	Isolation Voltage	3750 Vrms
	Output Channel	4
	Relay Type	Form C
Relay Output	Contact Rating	0.6A @125VAC 2A @30VDC
	Operate/Release Time	3mS/2mS
	Operation Life	Mechanical: 10^8 Min Electrical: 5*10^5 Min
LED Display		1 LED as Power indicator 4 LEDs as DI indicators 4 LEDs as DO indicators
Power Consumption		Typical: 0.5W Maximum : 1.0W

I-87063 Wire Connection



I-87063 Wire Connection Type

Input Type	ON State LED ON Readback as 1	OFF State LED OFF Readback as 0
Relay Contact		
TTL/CMOS Logic		
Open Collector		
Output Type	ON State LED ON Readback as 1	OFF State LED OFF Readback as 0
Relay Contact		

I-87063 Internal I/O Structure

