

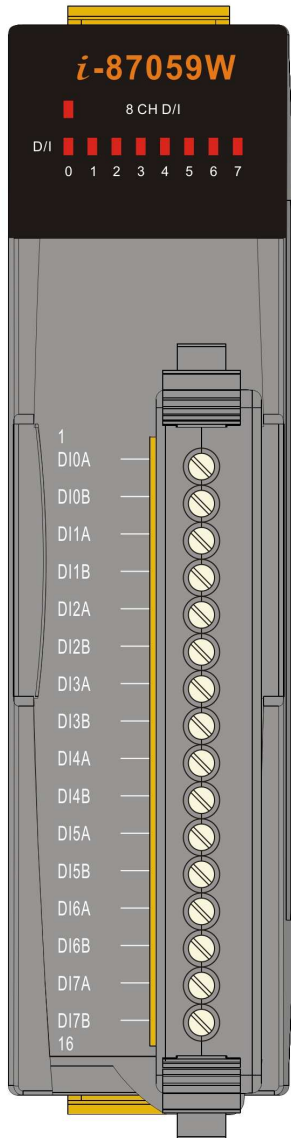
I-87059W Hardware User Guide *Ver 1.0*

Last Modified 12/18/2007

I-87059W Specifications

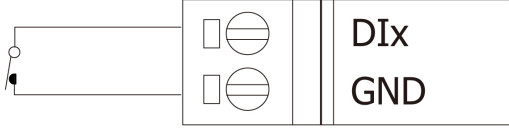
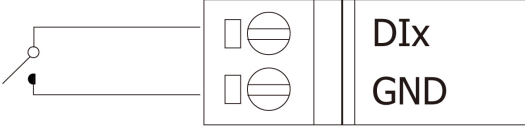
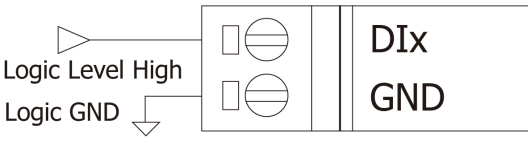
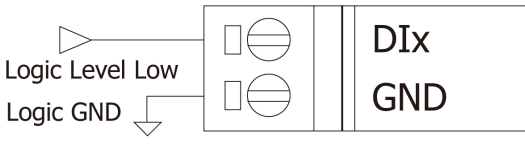
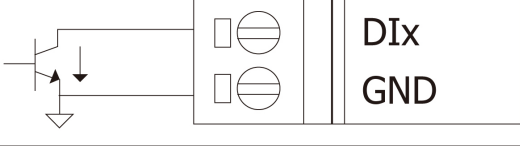
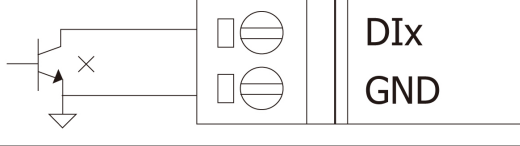
AC Digital Input Module	
<i>Input Channel</i>	<i>8 differential</i>
<i>Operating Voltage</i>	<i>10 ~ 50VAC Peak</i>
<i>ON Voltage Level</i>	<i>10VAC min.</i>
<i>OFF Voltage Level</i>	<i>3.0VAC max.</i>
<i>AC Frequency</i>	<i>47~400Hz (>45Hz min.)</i>
<i>Input Impedance</i>	<i>10K Ohms, 1W</i>
<i>Isolation Voltage</i>	<i>3750 Vdc</i>
<i>4KV ESD Protection</i>	<i>Yes</i>
<i>LED Display</i>	<i>1 LED as Power/ Communication Indicator 8 LED as Digital Input Indicators</i>
<i>Power Consumption</i>	<i>0.3W max.</i>

I-87059W Pin Assignment



Terminal No.	Pin Assignment Name
01	DI0A
02	DI0B
03	DI1A
04	DI1B
05	DI2A
06	DI2B
07	DI3A
08	DI3B
09	DI4A
10	DI4B
11	DI5A
12	DI5B
13	DI6A
14	DI6B
15	DI7A
16	DI7B

I-87059W Wire Connection Type

Input Type	ON State LED ON Readback as 1	OFF State LED OFF Readback as 0
Relay Contact	Relay ON	Relay Off
		
TTL/CMOS Logic	Voltage < 10V	Voltage > 3V
		
Open Collector	Open Collector On	Open Collector Off
		

I-87059W Internal I/O Structure

