

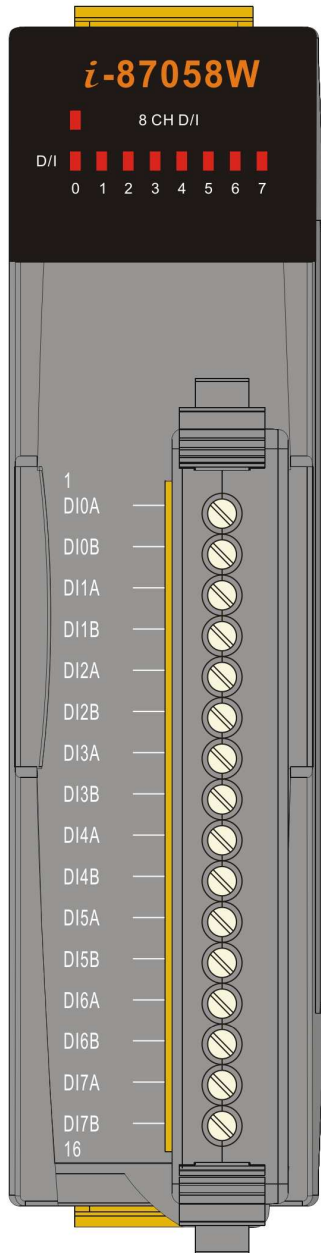
# I-87058W Hardware User Guide *Ver 1.0*

*Last Modified 12/04/2006*

## ***I-87058W Specifications***

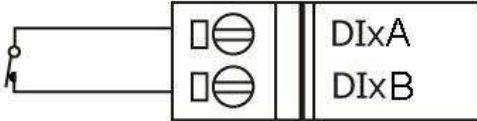
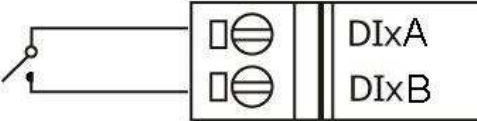
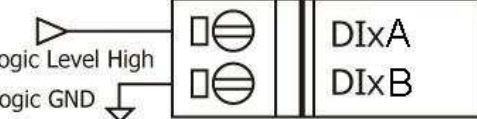
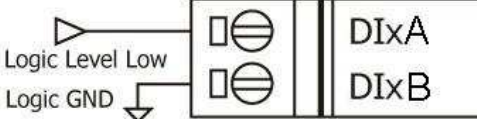
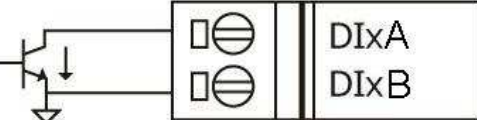
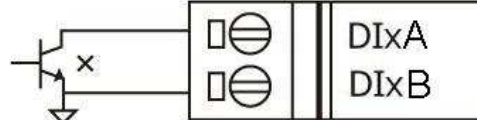
<b>Digital Output Module</b>	
<b><i>Input Channels</i></b>	<b><i>8(Differential)</i></b>
<b><i>Input Type</i></b>	<b><i>Isolated differential digital input</i></b>
<b><i>ON State</i></b>	<b><i>80~250 VAC</i></b>
<b><i>OFF State</i></b>	<b><i>20 VAC Max.</i></b>
<b><i>AC Frequency</i></b>	<b><i>50~400Hz</i></b>
<b><i>Input Impedance</i></b>	<b><i>68K Ohms, 1W</i></b>
<b><i>Isolation Voltage</i></b>	<b><i>5000 Vrms</i></b>
<b><i>4KV ESD Protection</i></b>	<b><i>Yes, contact for each terminal</i></b>
<b><i>LED Display</i></b>	<b><i>1 LED as Power/ Communication Indicator 8 LED as Digital Input Indicators</i></b>
<b><i>Power Consumption</i></b>	<b><i>0.3W max.</i></b>

# I-87058W Pin Assignment



Terminal No.	Pin Assignment Name
01	DI0A
02	DI0B
03	DI1A
04	DI1B
05	DI2A
06	DI2B
07	DI3A
08	DI3B
09	DI4A
10	DI4B
11	DI5A
12	DI5B
13	DI6A
14	DI6B
15	DI7A
16	DI7B

# I-87058W Wire Connection Type

Input Type	ON State LED ON Readback as 1	OFF State LED OFF Readback as 0
Relay Contact	Relay ON	Relay Off
		
TTL/CMOS Logic	Voltage > 80V	Voltage < 30V
		
Open Collector	Open Collector On	Open Collector Off
		

# I-87058W Internal I/O Structure

