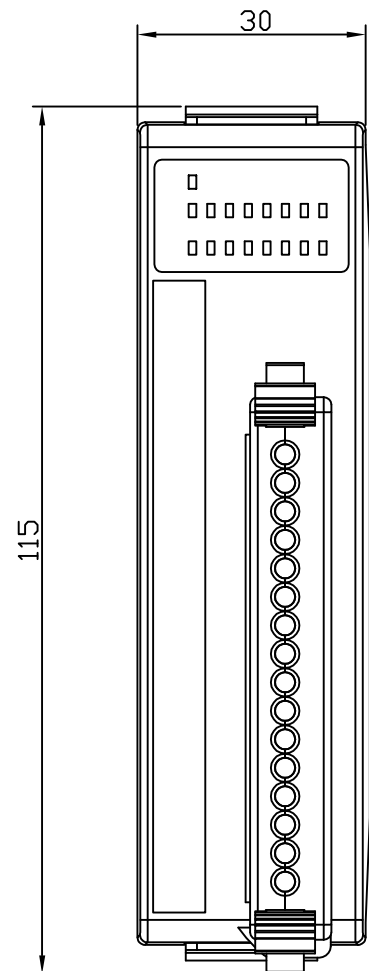
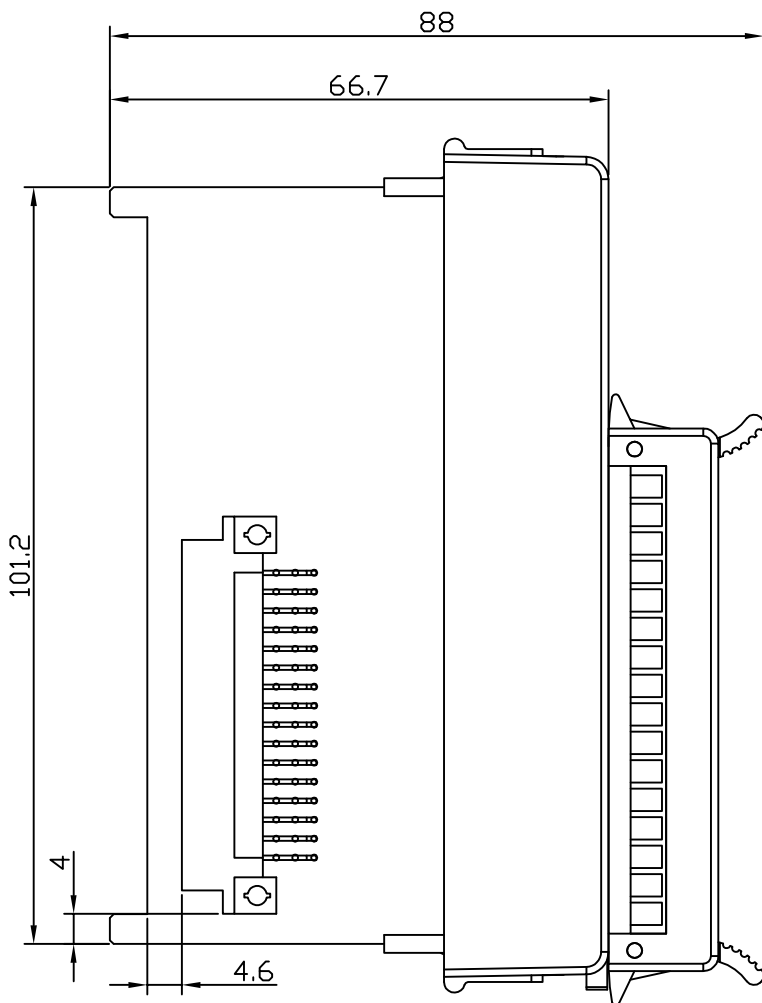
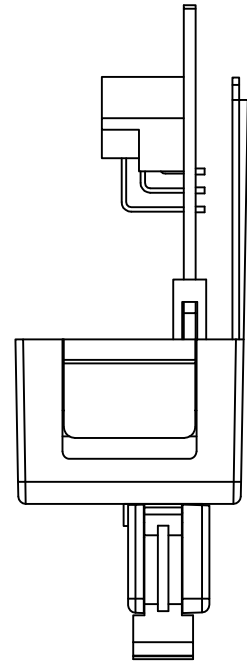
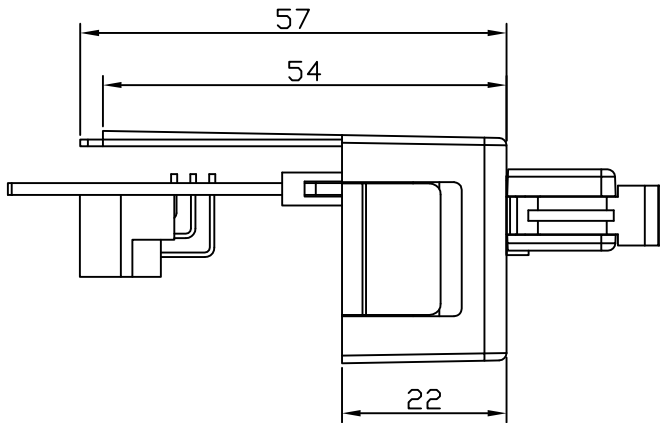


Unit: mm



Low Profile