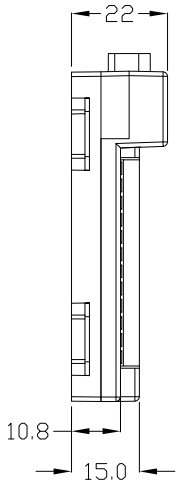
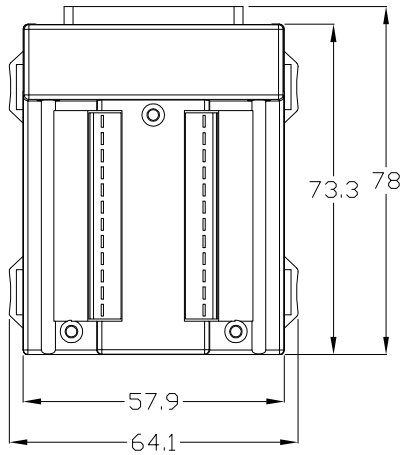


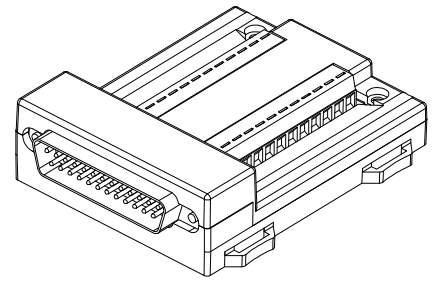
Top View



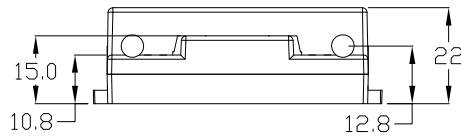
Left Side View



Front View

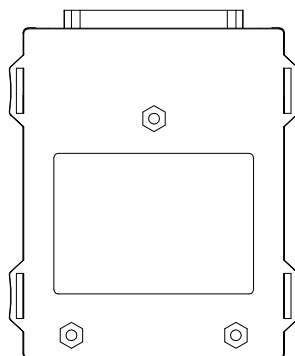


Auxiliart View



Bottom View

Unit: mm



Back View