

## 4.6. USB to RS-232/422/485 Converters



### I-7560

USB to RS-232 Converter

#### Introduction

The I-7560 contains a Windows serial com port via it's USB connection and is compatible with new and legacy RS-232 devices. USB Plug-and-Play allows easy serial port expansion and requires no IRQ, DMA, or I/O port resources.

The I-7560 features a full set of RS-232 modem data and control signals (TxD, RxD, RTS, CTS, DSR, DTR, DCD, RI and GND) on it's PC compatible DB-9 male connector. It also features a high-speed 115200 bps transmission rate.

The I-7560 is powered from the USB bus and no additional power supply is needed.

#### Software

##### Driver

Windows 98/ME/2000/XP/Vista (32/64-bit)/7 (32/64-bit)/Linux

#### Specifications

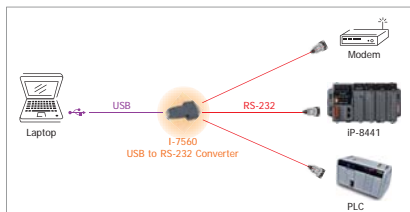
<b>Interface</b>		
USB		Compatibility: USB 1.1 and 2.0 standards
RS-232		TxD, RxD, RTS, CTS, DSR, DTR, DCD, RI and GND; non-isolated
Speed		300 – 115200 bps
Connection	RS-232	9-Pin Male D-Sub
	USB	Type B
Cable Included		CA-USB18 (1.8 m Cable) x 1
<b>LED Indicators</b>		
Power		Yes
<b>Power</b>		
Input Voltage Range		+5 V <sub>oc</sub> from USB
Power Consumption		0.3 W
<b>Mechanical</b>		
Casing		Plastic
Flammability		Fire Retardant Materials (UL94-V0 Level)
Dimensions (W x H x D)		33 mm x 60 mm x 15 mm
<b>Environment</b>		
Operating Temperature		-25 °C – +75 °C
Storage Temperature		-30 °C – +75 °C
Humidity		10 – 90% RH, non-condensing

#### Features

- Fully Compliant with the USB 1.1/2.0 (High Speed)
- No External Power Supply required
- Baud Rate, 300 – 115200 bps
- Operating Temperatures, -25 °C – +75 °C
- Driver Supports Windows 98/ME/2000/XP/Vista (32/64-bit)/7 (32/64-bit)/Linux



#### Applications



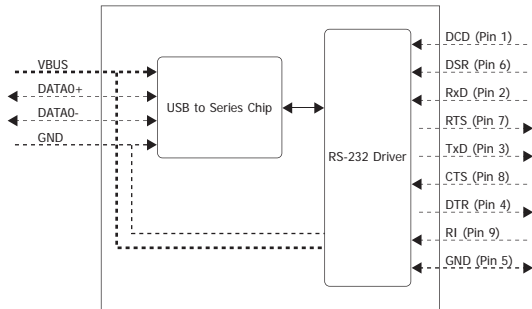
I-7560 with CA-USB18

I-7560 with IP-8441

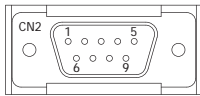
I-7560 with Modem



## Internal I/O Structure

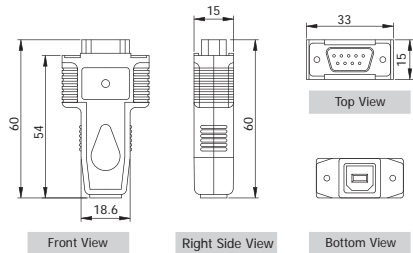


## Pin Assignments



Pin	Signal	Mode
01	DCD Data Carrier Detect	Input
02	RxD Receive Data	Input
03	TxD Transmit Data	Output
04	DTR Data Term Ready	Output
05	GND Ground	--
06	DSR Data Set Ready	Input
07	RTS Request To Send	Output
08	CTS Clear To Send	Input
09	RI Ring Indicator	Input

## Dimensions (Unit: mm)



## Ordering Information

I-7560 CR	USB to RS-232 Converter (RoHS)
-----------	--------------------------------

## Accessories

USB-2560 CR	Industrial 4-port USB 2.0 Hub
CA-USB18	USB Type A to Type B Cable